



3100N+ • 3200N+



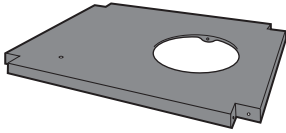
ASSEMBLY GUIDE

8650524

121523
AU/NZ



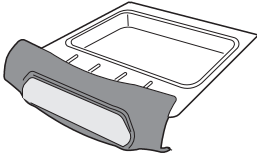
1



2



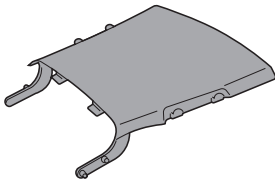
1



1



2



1



1



1



**3200N+
ONLY**

2



2



1



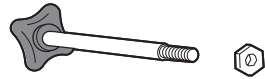
1



4



1



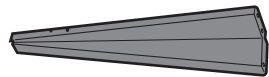
4



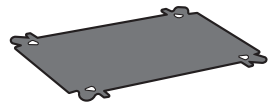
1



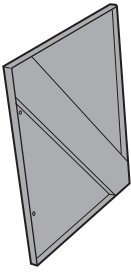
1



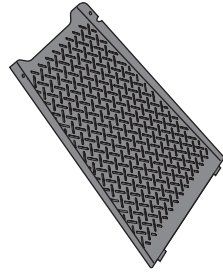
1



1



2



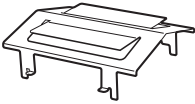
1



1



1



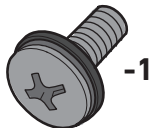
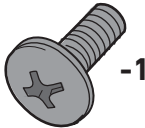
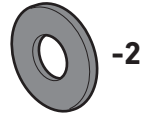
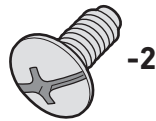
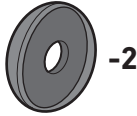
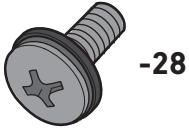
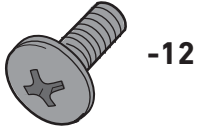
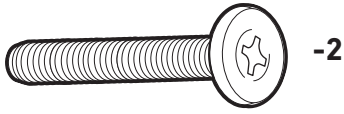
1



TOOLS REQUIRED:

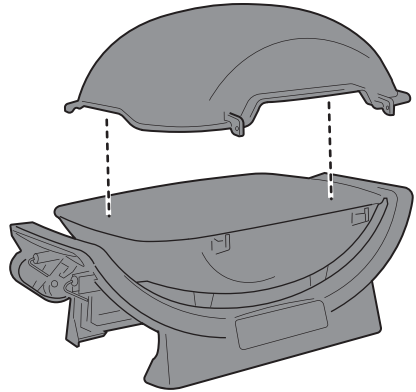
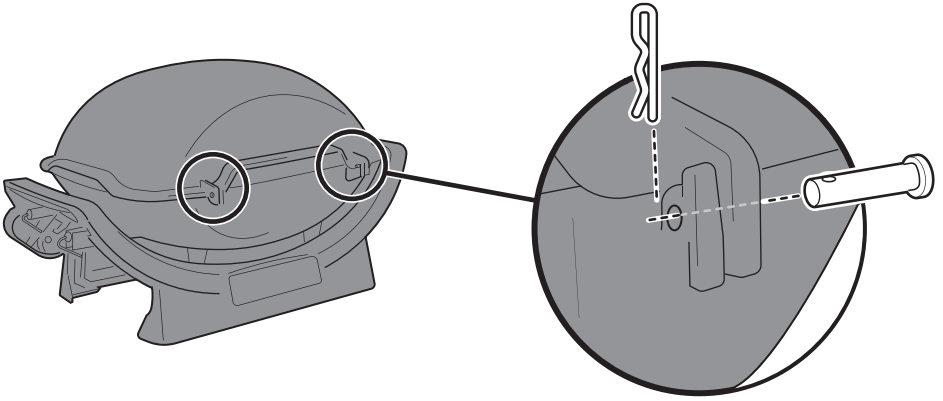


- ⚠ Assemble grill on a flat, level, and soft surface.
- ⚠ Do not use power tools for assembly.
- ⚠ Two people required for assembly.
- ⚠ There may be visual differences between illustrations and model purchased.



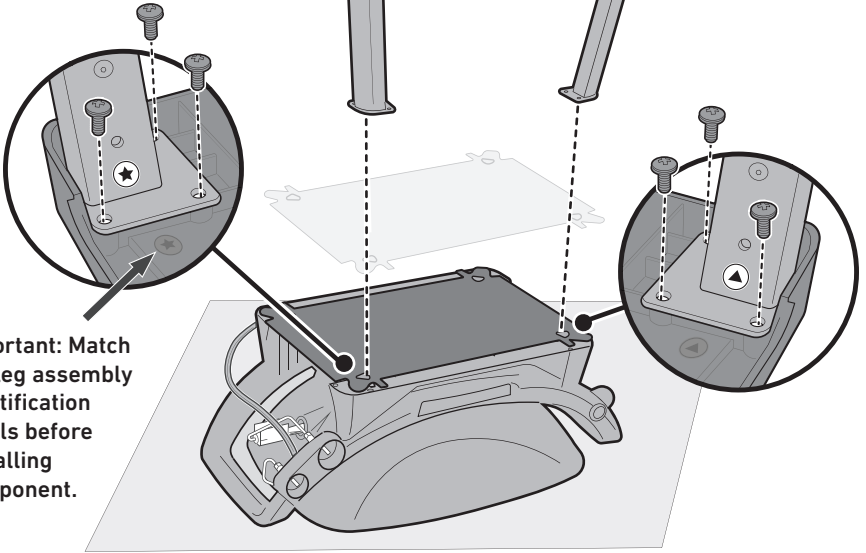
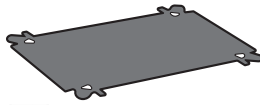
• Extra hardware

1



2

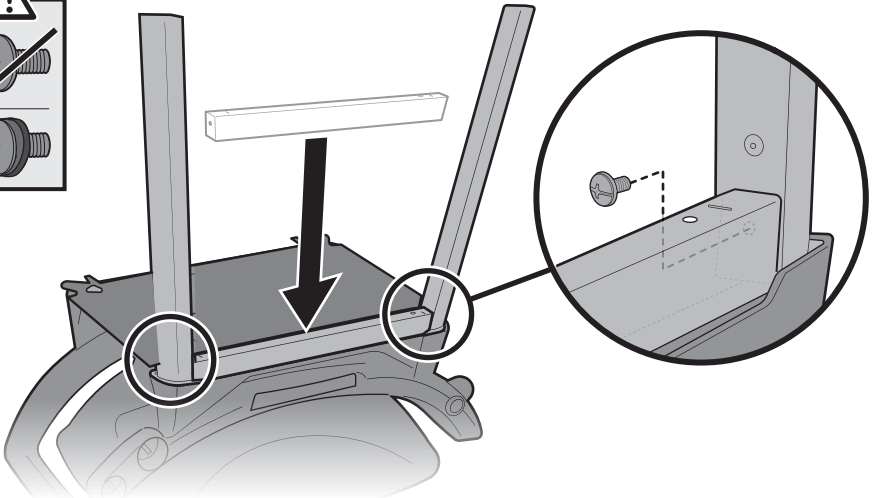
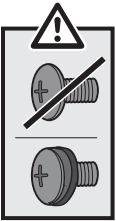
✦ -6



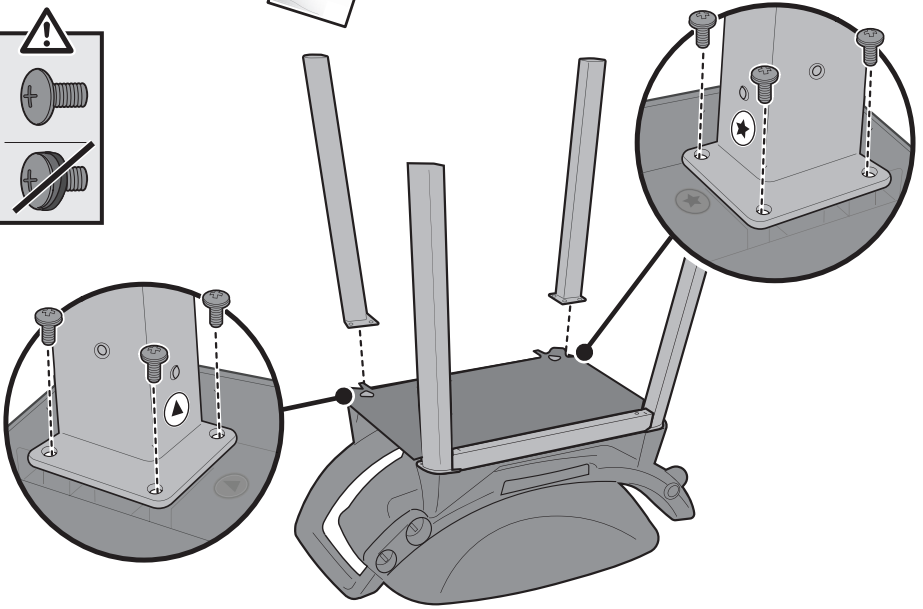
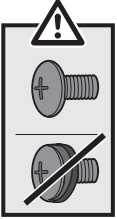
⚠ Important: Match the leg assembly identification labels before installing component.

3

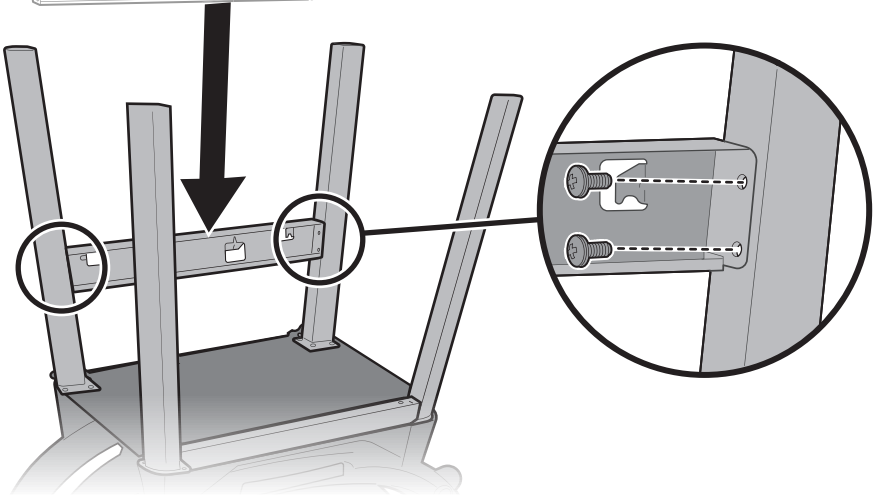
✦ -2



4



5

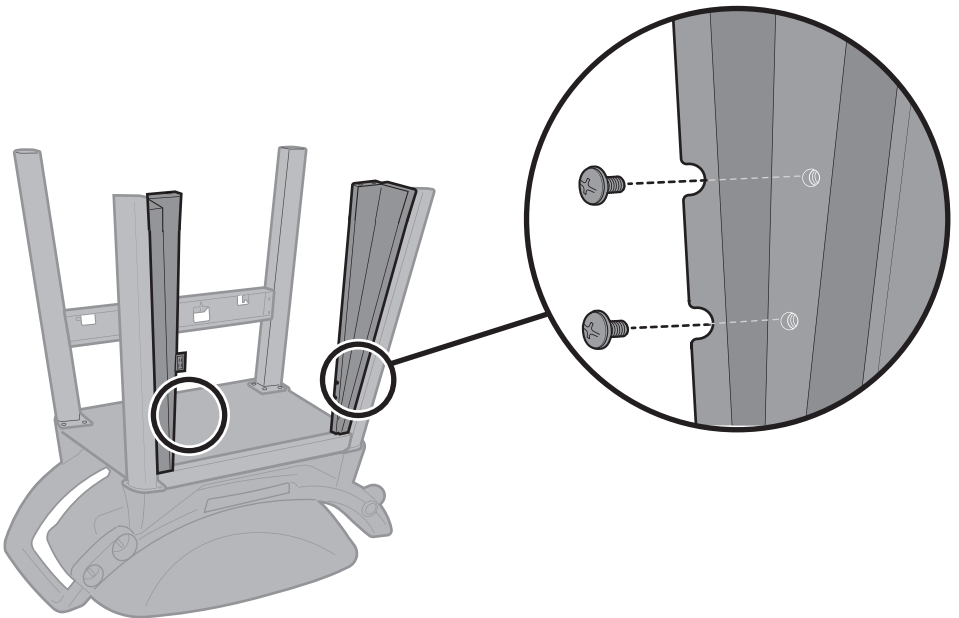
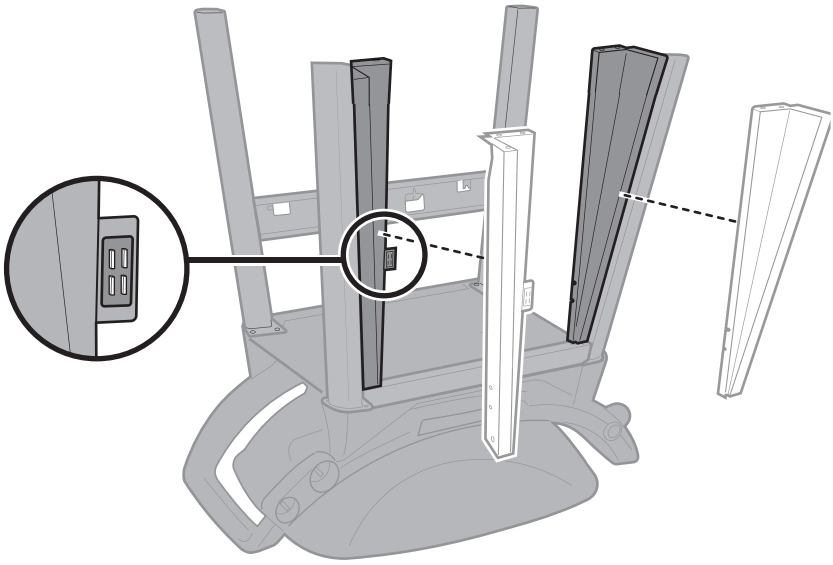


6

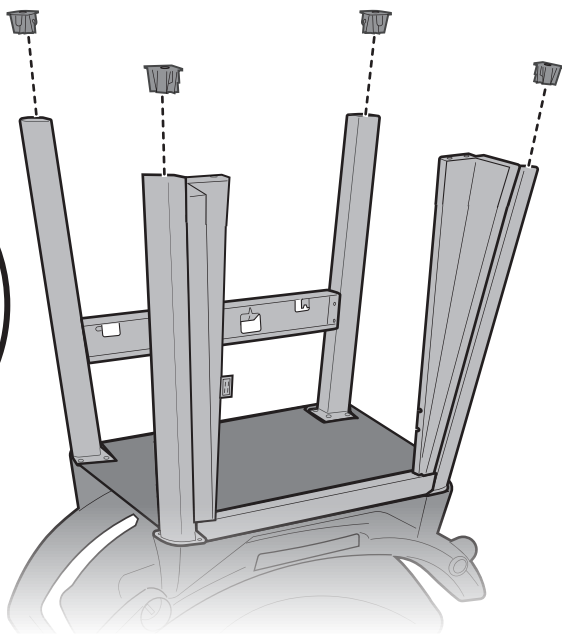
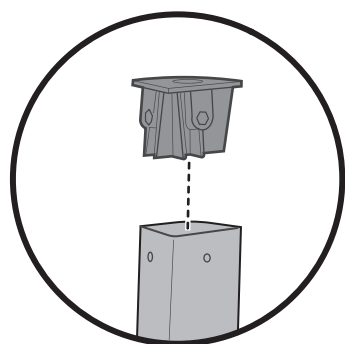


-4

C



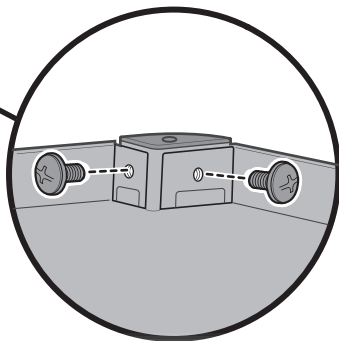
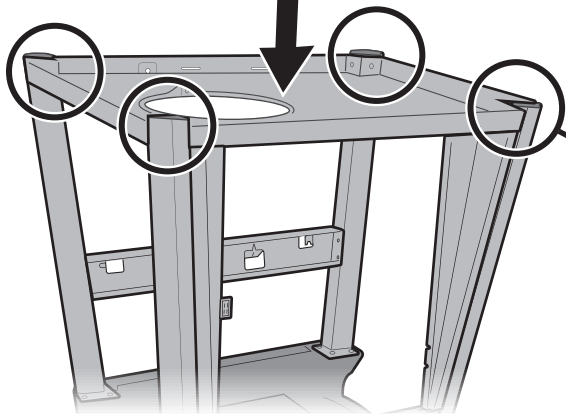
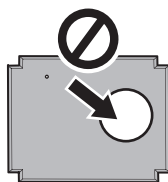
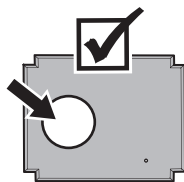
7



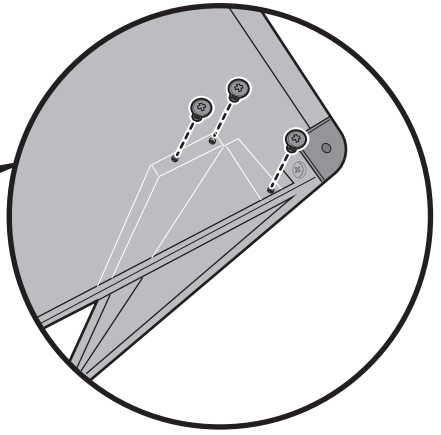
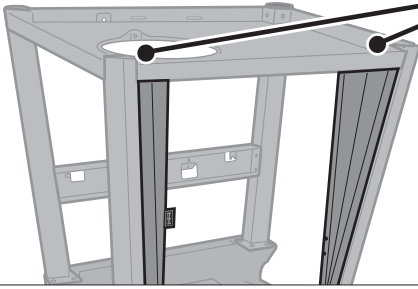
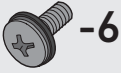
8



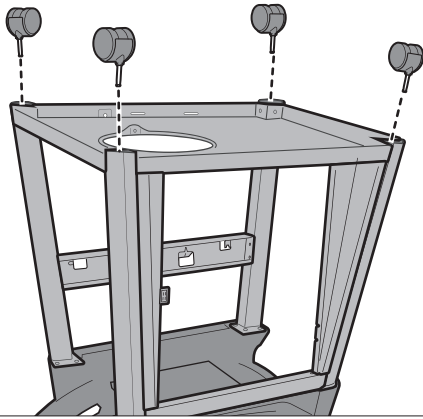
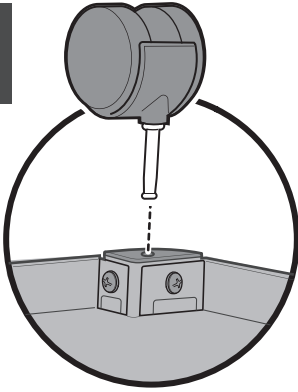
-8



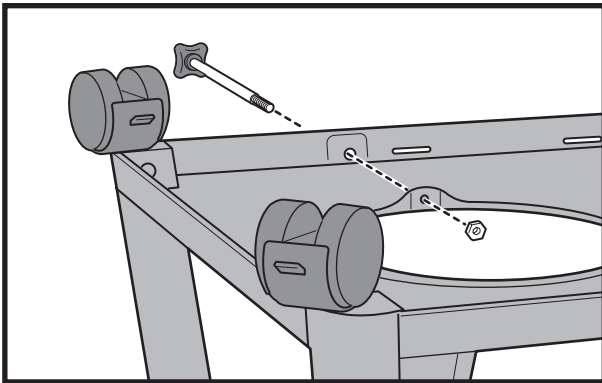
9



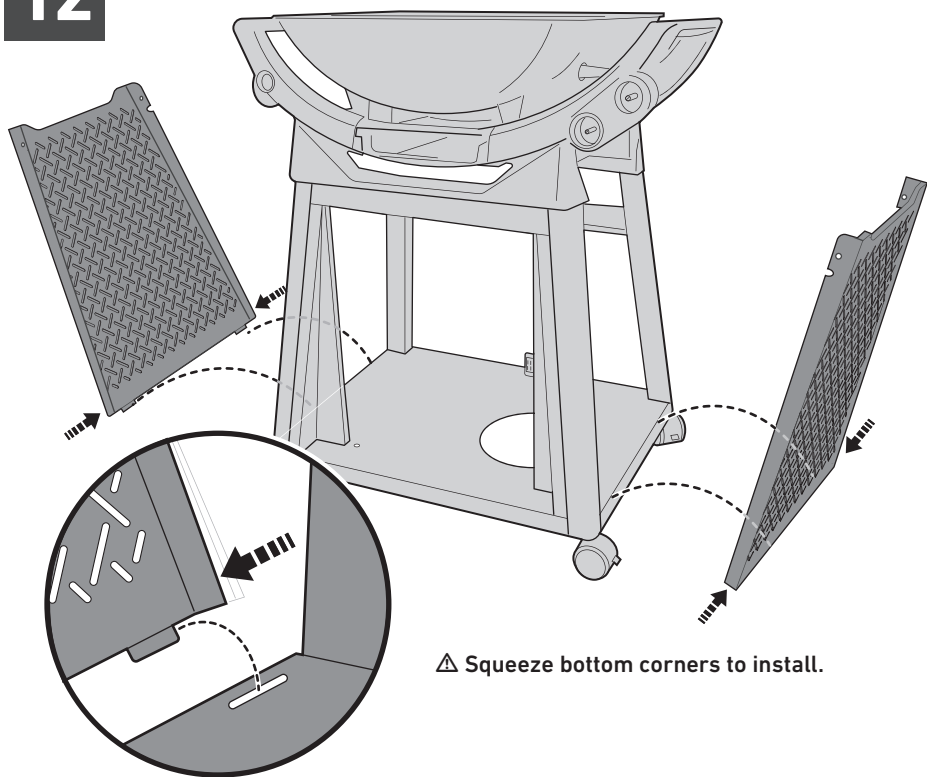
10



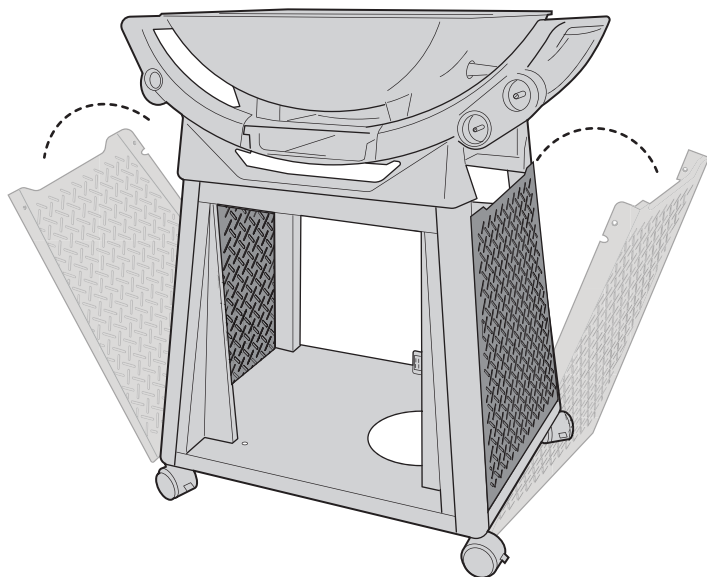
11



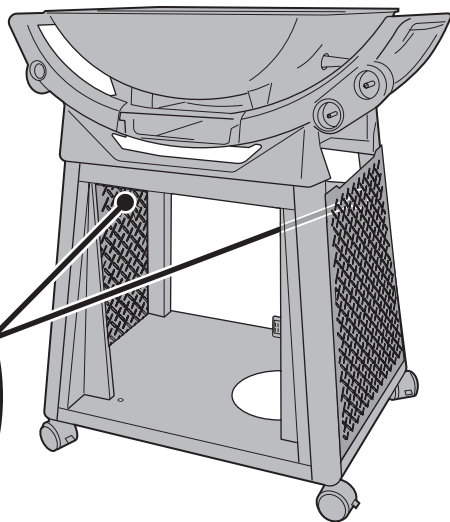
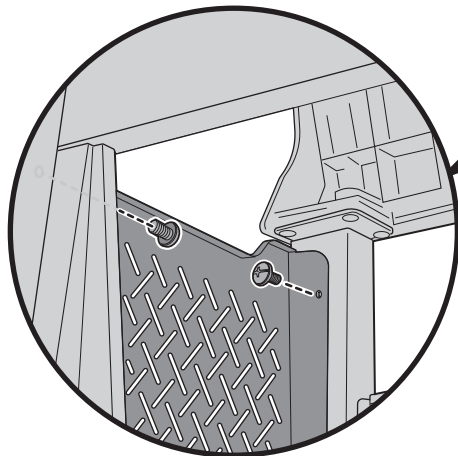
12



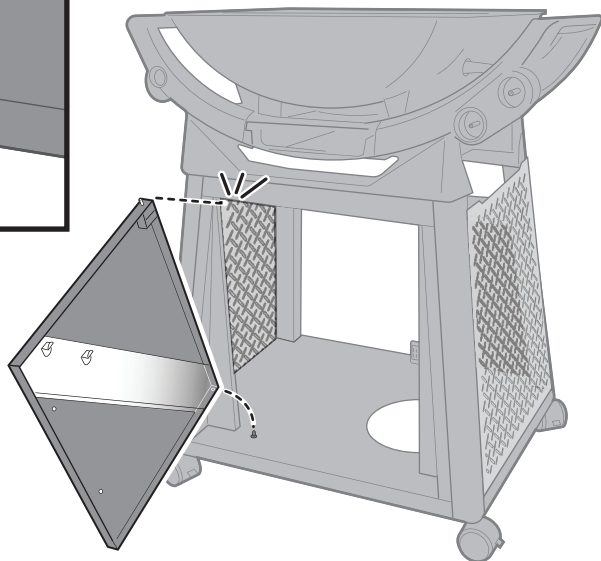
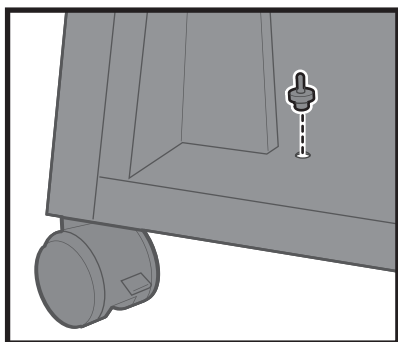
⚠ Squeeze bottom corners to install.



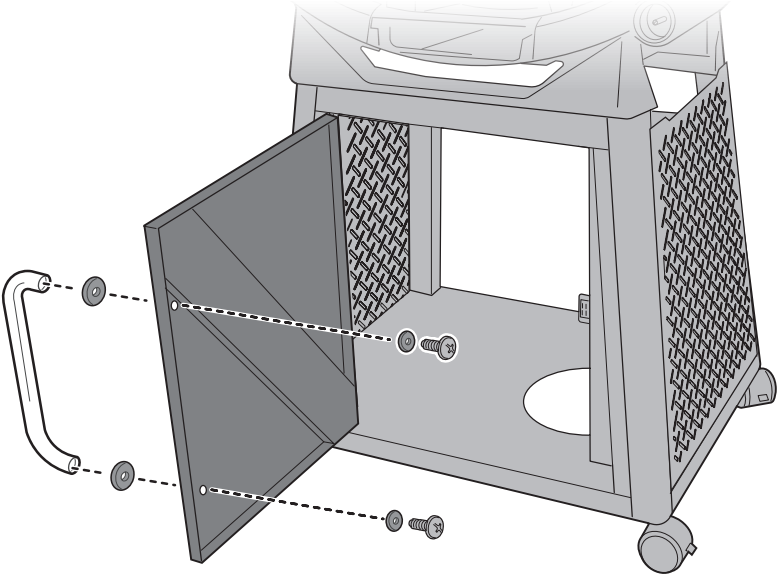
13



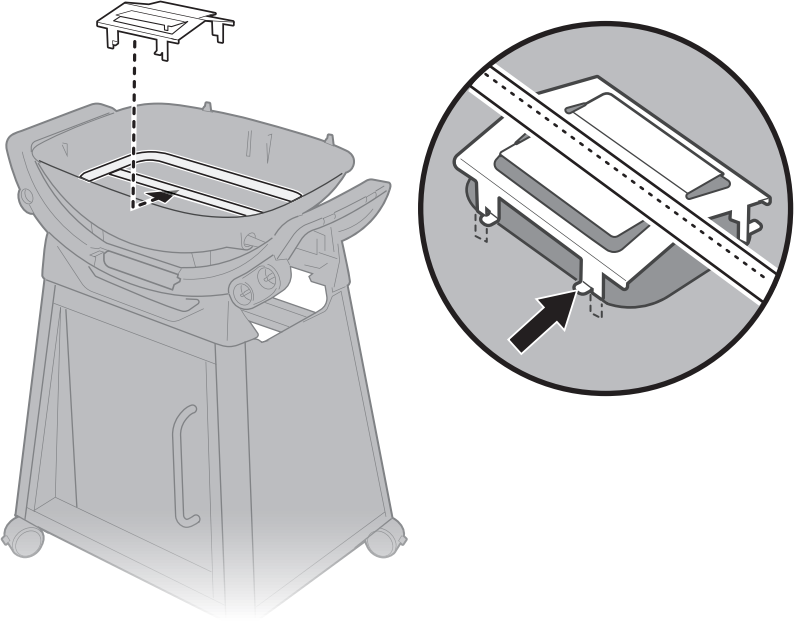
14



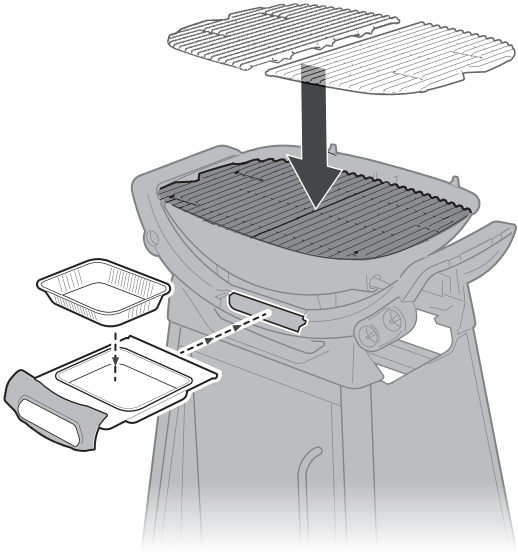
15



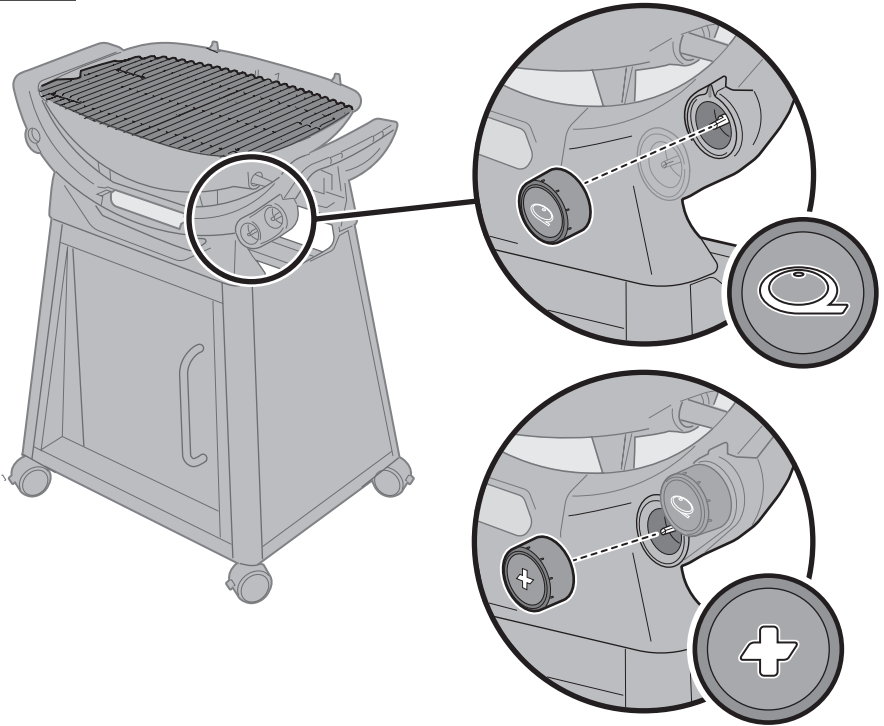
16



17

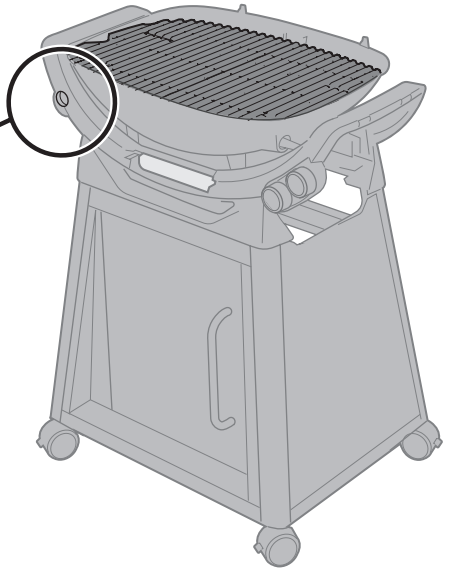
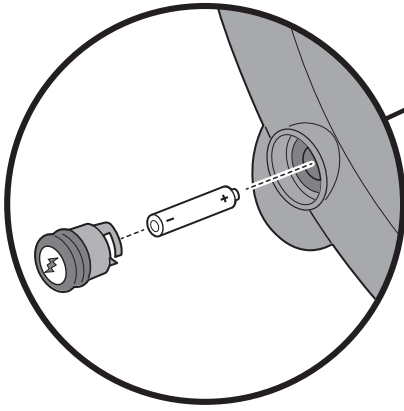


18

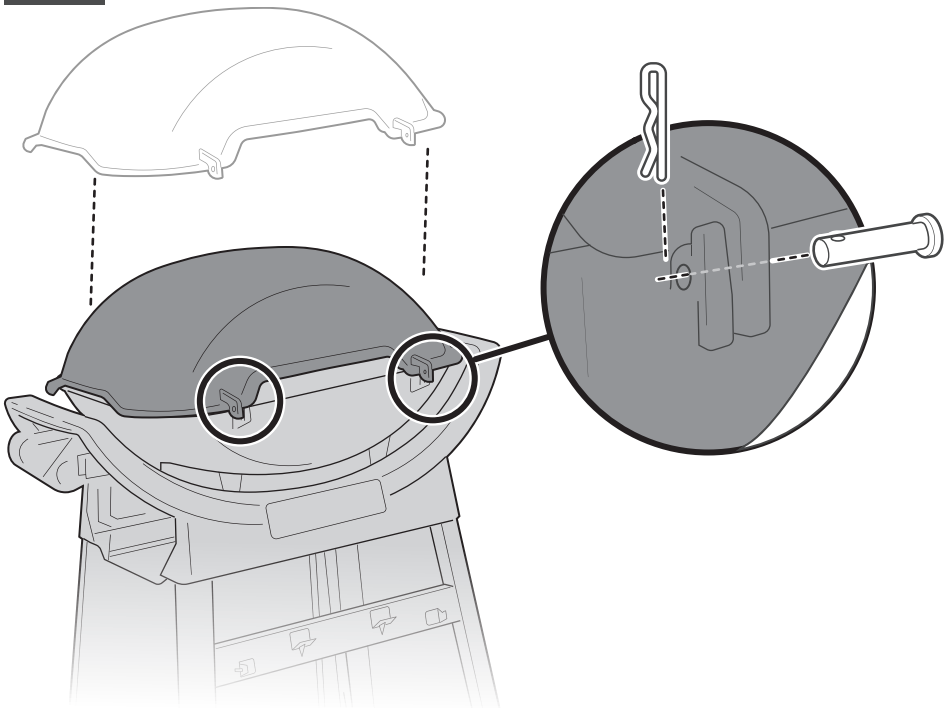


19

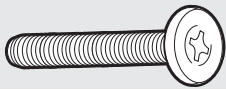
3200N+
ONLY



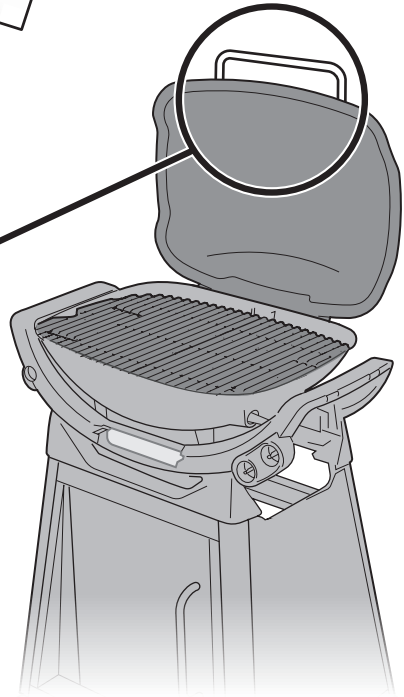
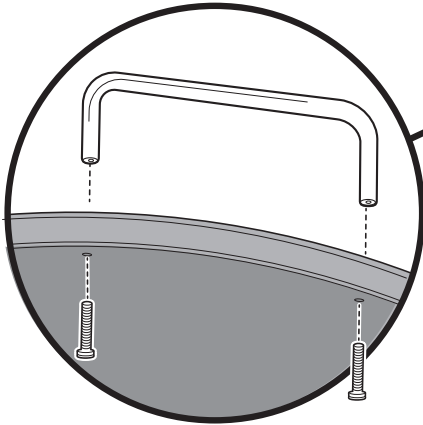
20



21

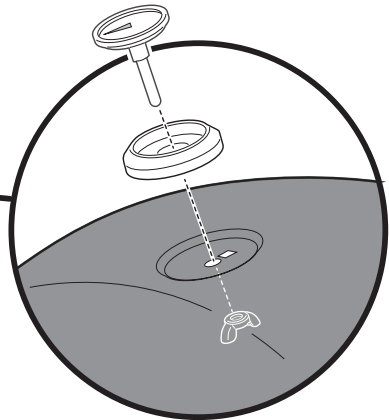
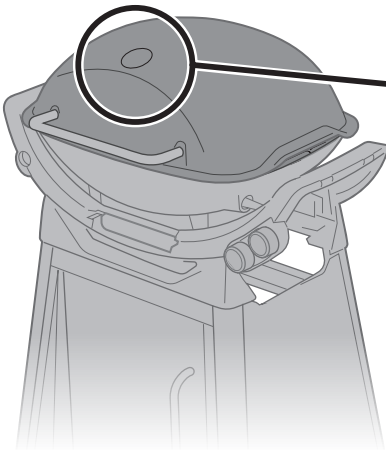


-2

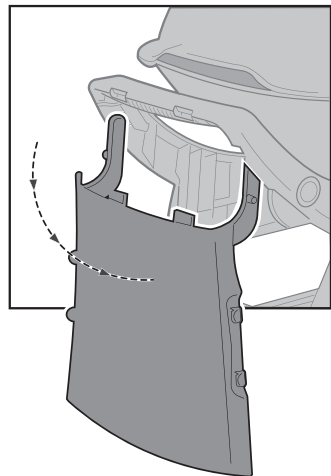
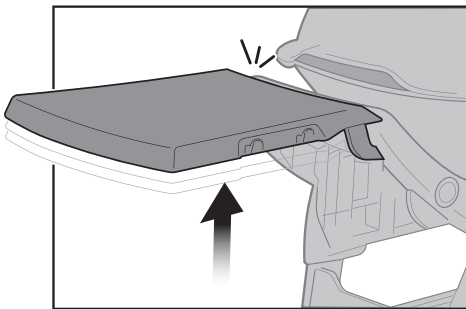
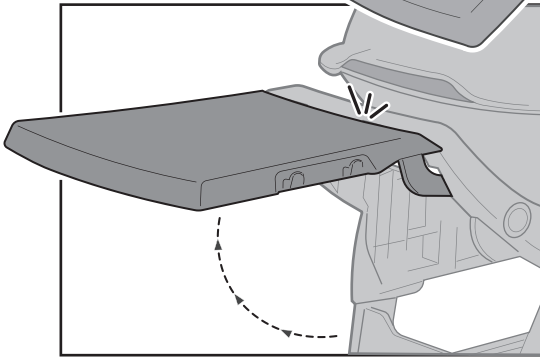
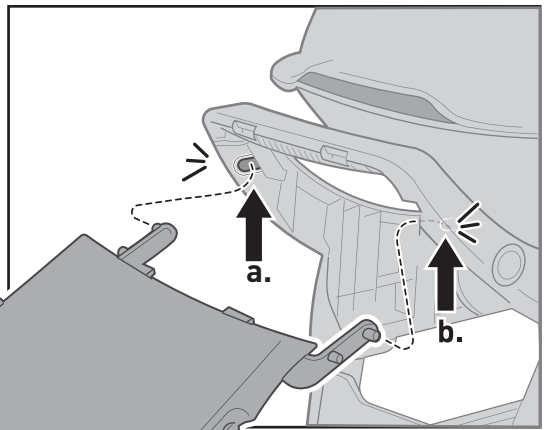
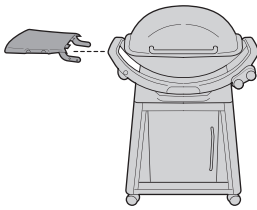


22

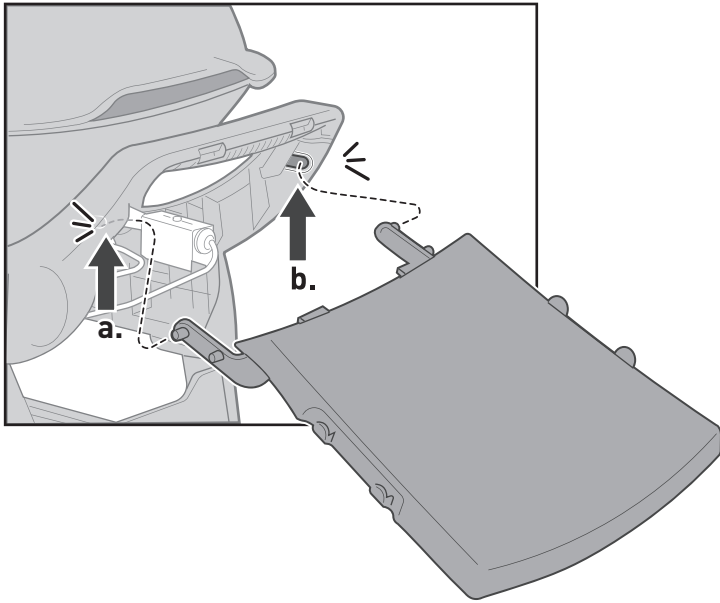
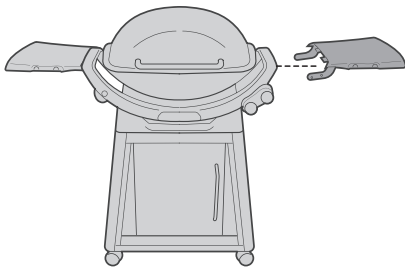
3200N+
ONLY

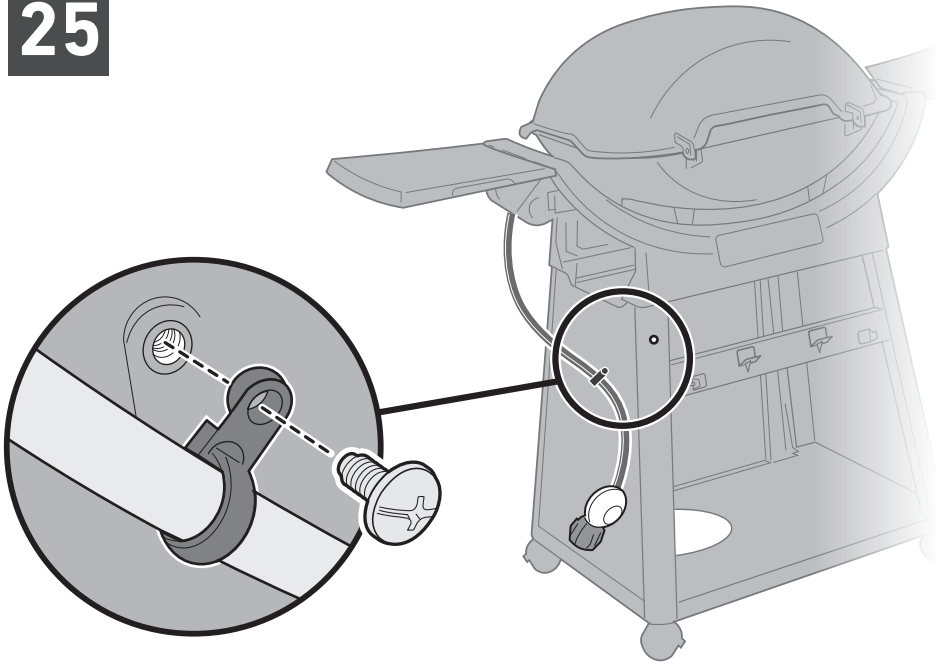


23



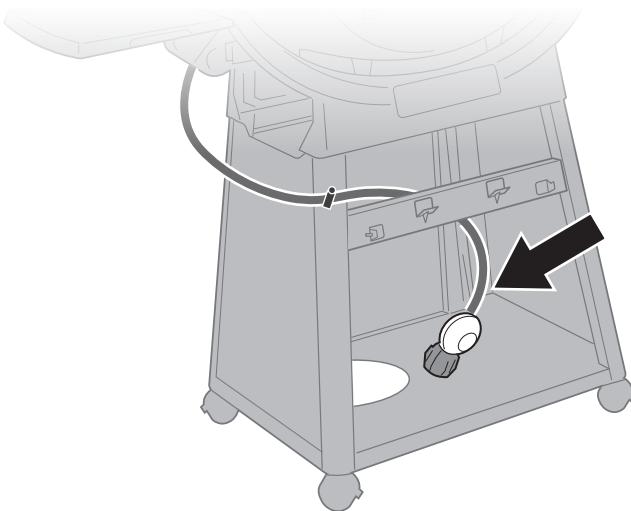
24



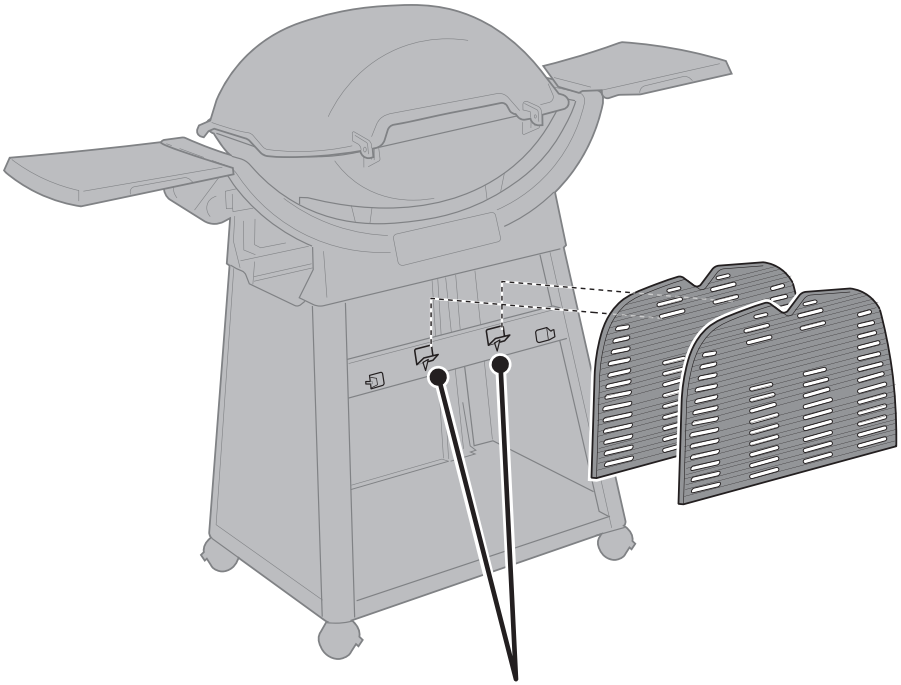


Remove screw and secure hose and retention clip to cart.

⚠ WARNING: The hose must be secured to the cart by the hose retention clip. Failure to do so could cause damage to hose resulting in a fire or explosion, which can cause serious bodily injury or death and damage to property.



⚠ Make sure all parts are assembled and all hardware is tightened before operating your grill.



Cooking grill storage hooks: For use when cooking with Hot plate accessory (sold separately).

Weber-Stephen Products (Aust) Pty Ltd.

Level 1, 142-144 Fullarton Road
ROSE PARK SA 5067 AUSTRALIA
+61 8 8425 9400 | weber.com/AU

WEBER New Zealand ULC

86 East Highbrook Drive
East Tamaki, Auckland 2013 NEW ZEALAND
+64 9 279 7133 | weber.com/NZ

© 2023 Designed and engineered by Weber-Stephen Products LLC,
1415 S. Roselle Road, Palatine, Illinois 60067 USA.
www.weber.com