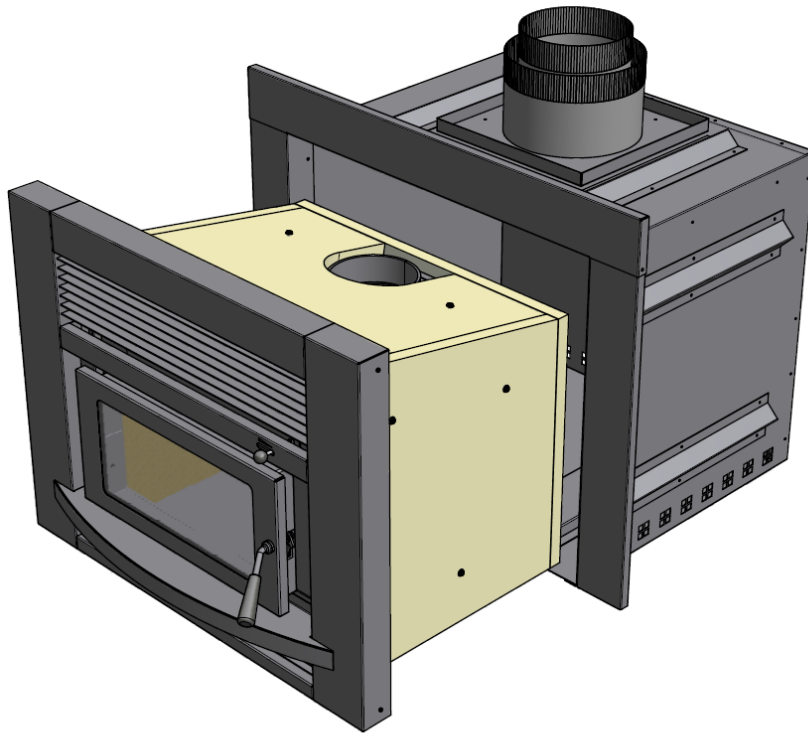


Installation Instructions for: Woodsman Totara with factory ZERO CLEARANCE CABINET and FLUE KIT



WOODSMAN



MODEL	AS/NZS 2918:2001	AS/NZ 2918:2001, APP B	AS/NZS 4012:1999	AS/NZS 4013:1999	ECan Cert Number
Totara Zero Clearance	Complies	Complies	67%	0.9g/kg	110220

Woodsman recommends this appliance only be installed by a suitably qualified person.

Proudly Manufactured By:



Harris Home Fires
41 Braddon St
Addington
Christchurch 8024
New Zealand
Email sales@hhf.co.nz

P O Box 4043
Christchurch 8140
New Zealand

Phone 03 366 1796
Freephone 0800 3661796
Fax 03 366 1795

These instructions should be read in conjunction with the relevant Totara details in the full Woodsman installation and operating manual supplied with the fire

Following these instructions allows for the Totara to be safely installed in a timber frame wall, without the need for further heat protection beyond that supplied as part of the cabinet and flue system.

WARNING: It is critical that these instructions are followed fully and that no substitute parts are used.

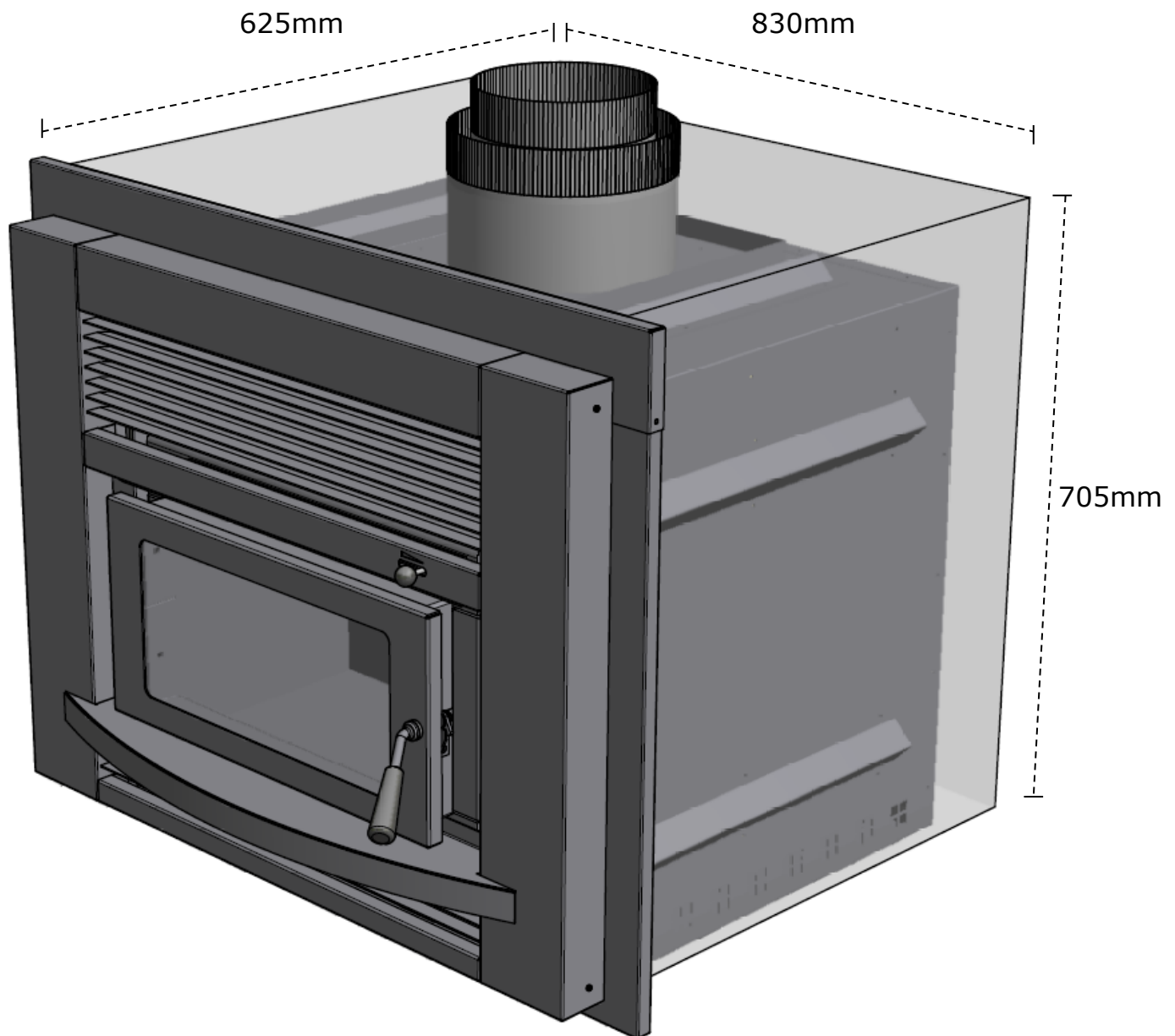
For floor protector and mantle extension details, refer to the full manual, for approved clearances.

INSTALLATION NOTES

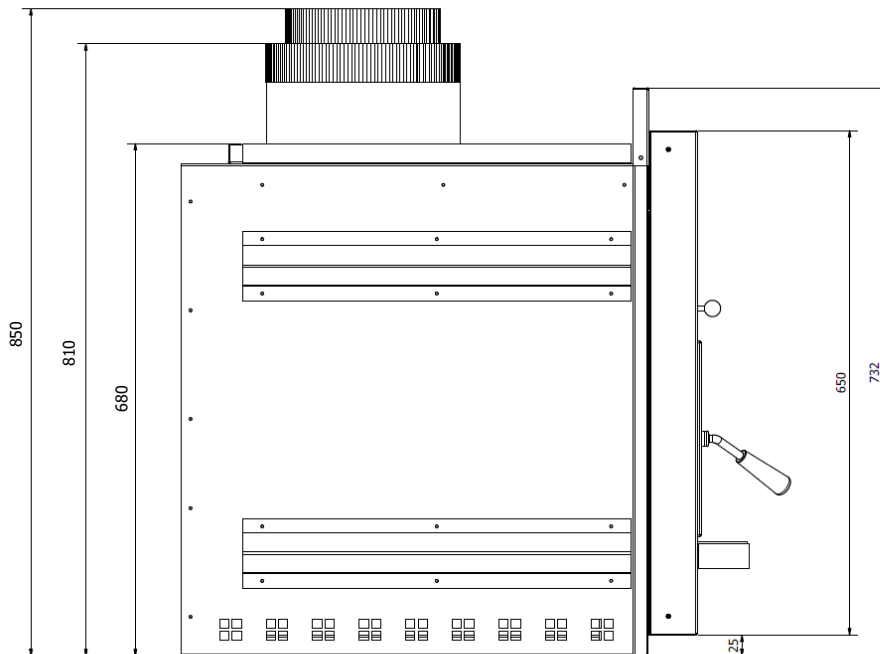
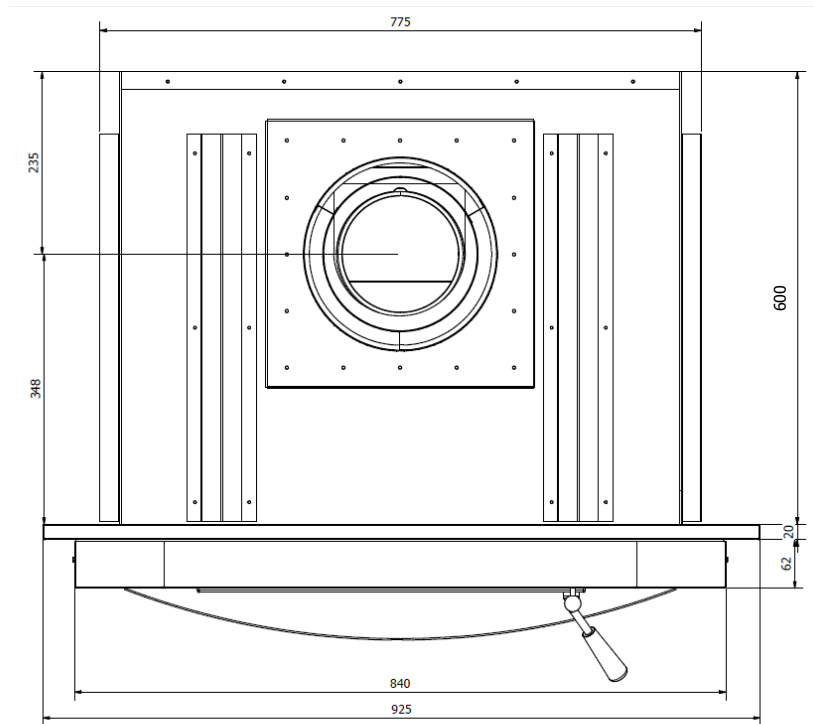
1. Totara zero clearance cabinet is approved to sit directly into a timber frame.
2. The bottom of the cabinet can sit directly onto a combustible floor and combustible materials can be in contact with the 25mm standoffs fitted to the outside of the cabinet, but we recommend an additional clearance of 25mm beyond the standoffs for ease of moving into position without becoming jammed in the wall cavity provided for the appliance.
3. Timber framing can be in contact with the 250mm diameter outer casing where the 200mm diameter inner casing is at the height also.
4. Timber framing must be 25mm clear of the 250mm diameter outer casing if the 200mm diameter inner casing is not present at that height.
5. The floor protector extension in front of the door shall be a minimum of 8mm ceramic tiles if the floor is a heat sensitive material. A space of 25mm is allowed for underneath the fascia.
6. The fascia surround must be fitted between the fascia and the zero clearance cabinet. Fit the fascia surround after the wall lining has been completed by screwing it to the zero clearance cabinet through the pre drilled holes. Fit fascia followed lastly by the door.
7. Ensure the cavity is not air tight and cooling air is allowed to enter from either the room, ceiling or outside.

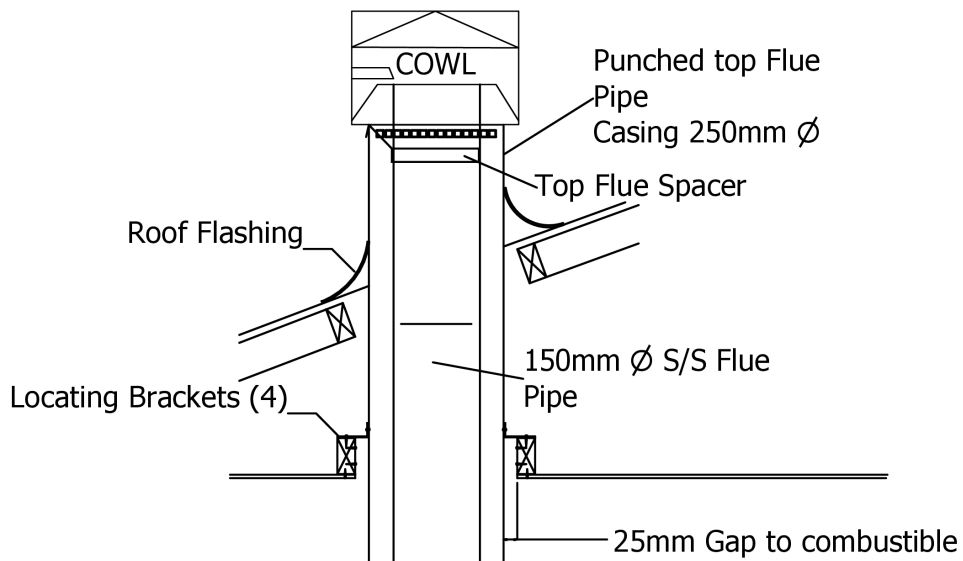
Minimum Cavity Space

(No combustibles within these dimensions)



Dimensions





**WOODSMAN TOTARA
ZERO CLEARANCE
INSTALLATION INSTRUCTIONS.**

