

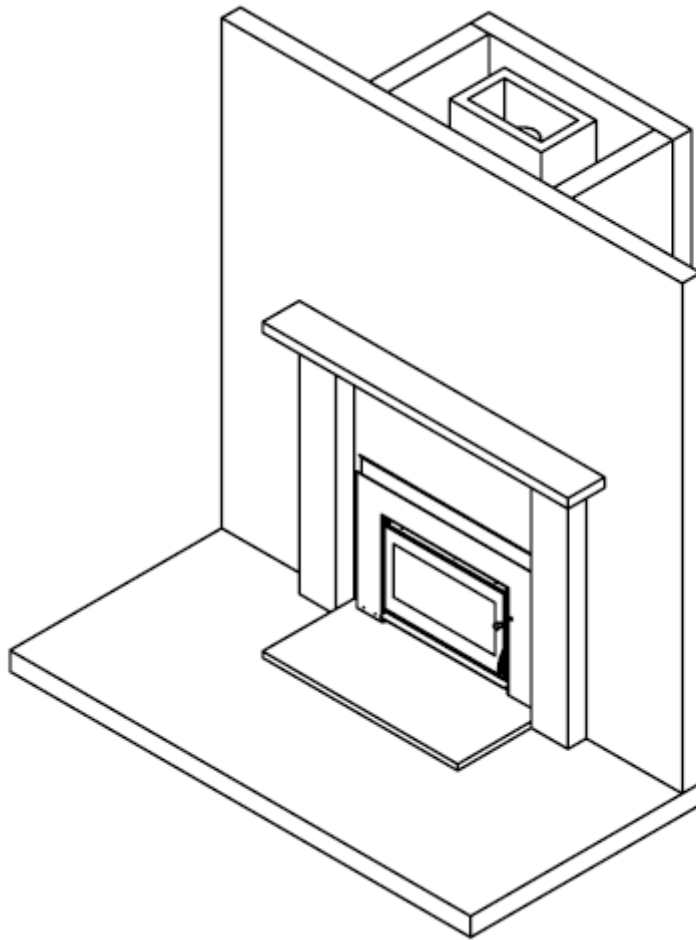


**Firenze
Woodfires**

Topaz LEB/RU

Masonry Installation Instructions

(Updated Sep 2023)



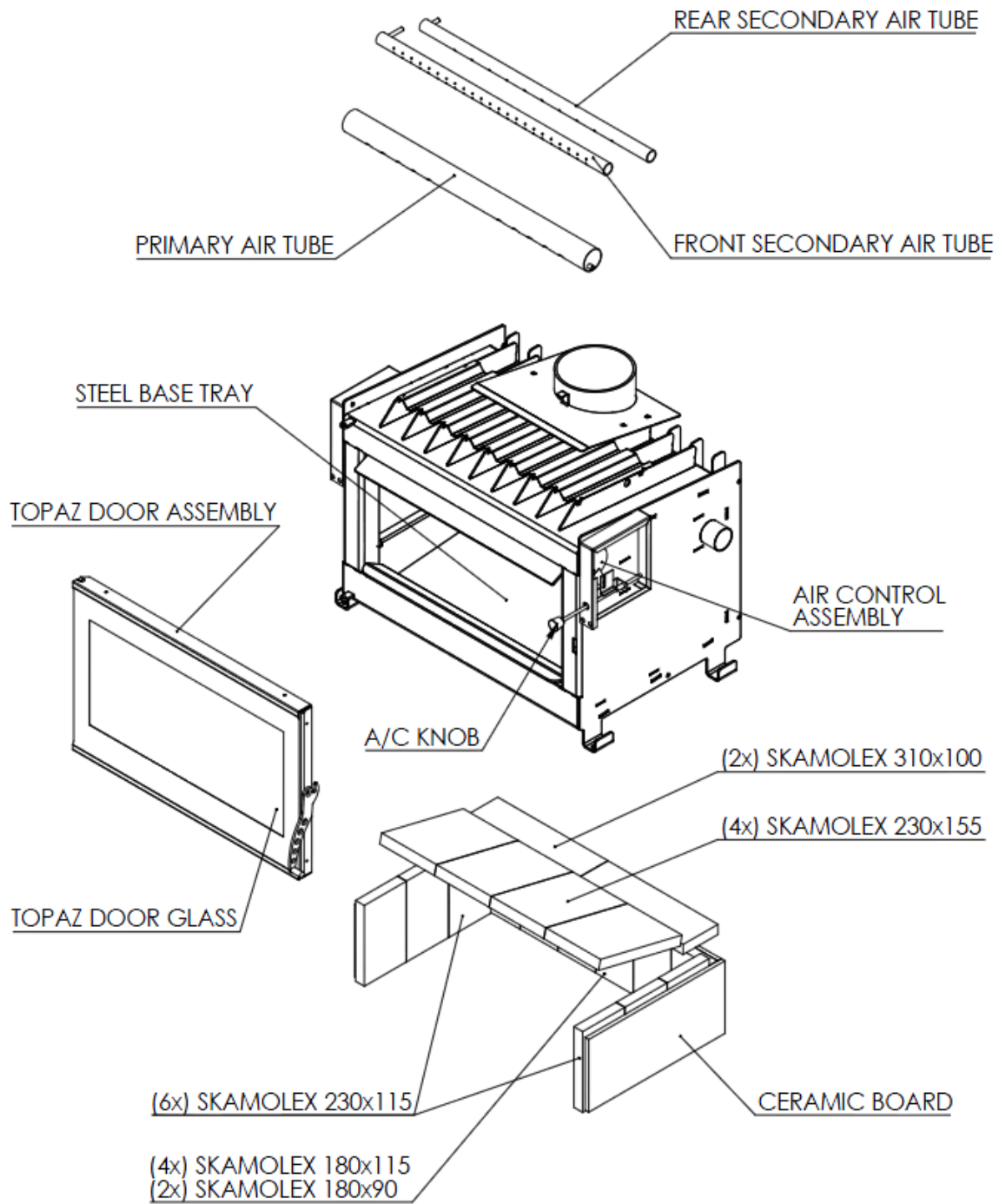
LEB Authorisation #212341

Firenze recommend the use of a NZ Home Heating Association, solid fuel fire installation technician (SFAIT), or other suitably qualified person to install this fire. The Fire and Flue System must be installed in accordance with AS/NZS2918. All Installations must be in accordance with these instructions. Consult with the building authority having jurisdiction to determine the need for a permit prior to commencing the installation. Failure to follow these instructions may also void your fire insurance and warranty.

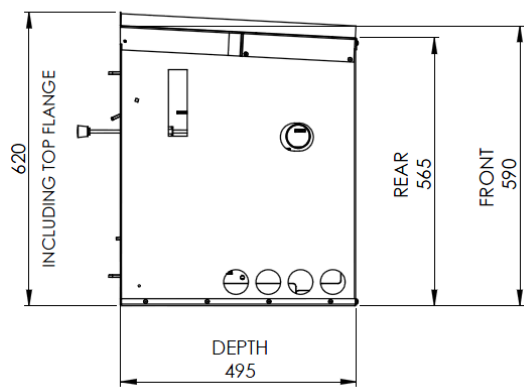
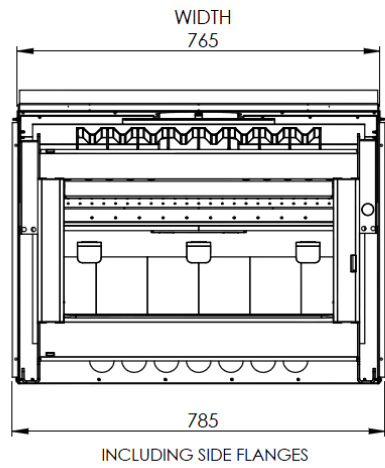
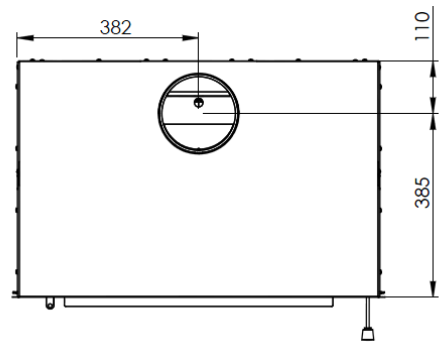
This Fire has been tested to Appendix E & B of the joint Australia/New Zealand standard 2918:2001.

General Information

Topaz Firebox Assembly

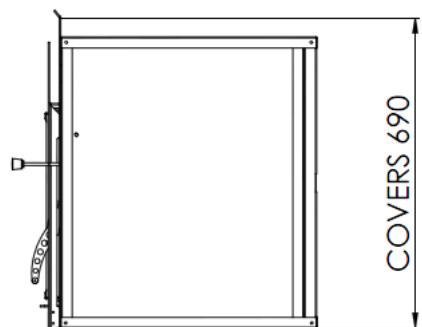
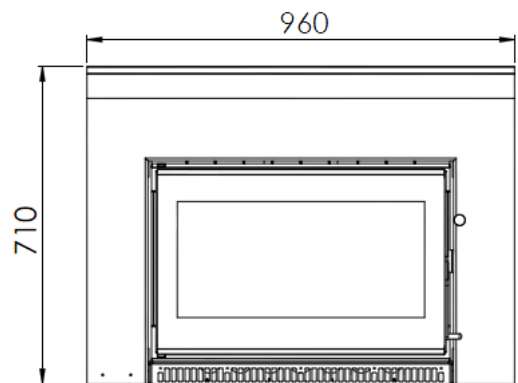


Firebox Dimensions



Topaz Lowline Fascia

For installation on a non-combustible hearth only



Installation Responsibilities

This Fire must be installed by someone competent to do so. Firenzo recommend the use of a NZ Home Heating Association, solid fuel Fire installation technician (SFAIT), or other suitably qualified person. Consult with the building authority having jurisdiction to determine the need for a permit prior to commencing the installation. Failure to follow these instructions may also void your fire insurance and warranty.

This Fire has been tested to Appendix E & B of the joint Australia/New Zealand standard 2918:2001.

WARNING: The Fire and Flue System must be installed in accordance with AS/NZS 2918:2001 Appendix F and the appropriate requirements of the relevant building code or codes. Firenzo/SFP Flue Kits or Davin Flue Kits must be used.

CAUTION: Mixing of Fire or Flue System components from different sources, modifying the dimensional specifications of components, or using more than 1 metre of extra flue may result in hazardous conditions. Where such action is considered the manufacturer should be consulted in the first instance.

The Fire must be installed with a minimum flue length of 4.2m.

Any modification of the Fire that has not been approved in writing by the testing authority is in breach of the approval granted for compliance with AS/NZS 4013.

Before installing your Firenzo Topaz it is important to check the condition of your masonry chimney. Ensure any cracks are sealed, loose masonry repaired, and any debris or soot build-up removed from the masonry chimney.

Check that the dimensions of your fireplace opening are adequate to accept the new Fire. Existing linings may need to be removed.

The Fire must be installed on a level non-combustible base and fixed with seismic restraints through the anchor points at the front feet of the unit.

CAUTION: This Fire has a total weight of over 100kg. Installers must use their lifting and handling equipment to prevent injury when handling the Fire.

Strict adherence to these instructions will meet these standards. Any variation from these installation instructions or any doubt about them must be checked against the requirements of the standards.

Standard Installation Requirements

Venting in Chimney for combustion air

For both masonry and built-in-canopy (zero clearance) installations, adequate ventilation must be provided into the chimney. The air vent in the chimney must be a minimum area of 10,000mm² (100mmx100mm) and meet the building code to prevent water ingress and vermin entering the chimney space. If the vent is in the back of the chimney, it should be centred and positioned low to the ground. If the vent is in the side of the chimney, it is recommended that a second vent is installed on the opposite side to balance the air intake.

Distance to Combustible Materials

The Topaz Fire cannot have a combustible mantel.

There are to be no combustibles within 700mm of the top of the steel fire canopy. This includes the wall lining and timber structure in the front of the chimney chase. The top of the steel fire canopy must be no less than 1200mm below the ceiling.

Floor Protection Requirements

AS/NZ2918 Section 3.3 states that if the Fire is to be placed on or within 500mm of heat sensitive materials in the floor then a floor protector will be required. For the Topaz Insert Fire, the minimum width of the floor protector is 1060mm and/or 530mm about the centre of the Fire.

When the firebox is mounted flush with the hearth an insulated floor protector must be used. Please refer to the specific hearth dimensions in the following section.

Assembly Instructions

- 1) Carefully remove all packaging.
- 2) Slide the Firebox into the opening so that the outer casing return folds are flush with the finished fireplace surround.
- 3) It is important to anchor the fire box down in case of movement. Restraint points are provided through the fire's two front legs.
- 4) Install Flue as per instructions on page 19.
- 5) Fill any gaps between the steel canopy and the opening in the masonry chimney with the yellow ISB insulation provided. See note below.
- 6) Assemble and fit the fascia.

NOTES

In some circumstances you may have to alter the chimney to accommodate the Topaz Fire. This work must be done to the Building Code.

In the case of installing this Fire in existing masonry fireplaces, it is necessary to install additional ventilation into the chimney cavity as per AS/NZ 2918 3.4.1.2 to assist air flow into the fire. This ventilation should not be taken/drawn from the room that the fire is installed in. This air vent should measure 100mmx100mm or equivalent area.

As this fire sources its combustion air from the chimney cavity/enclosure, the fire must be sealed around the front between the steel canopy and the masonry fireplace. This is achieved by packing the yellow ISB insulation (supplied) between the steel canopy and the masonry at the front of the fireplace to a maximum depth of 80mm.

Do not block the air intake ports on the sides of the firebox.

Insert Flue System for a Masonry Installation

WARNING: The Fire and Flue System shall be installed in accordance with AS/NZS 2918:2001 Appendix F and the appropriate requirements of the relevant building code or codes.

Firenzo/SFP Flue Kits or Davin Flue Kits must be used.

CAUTION: Mixing of Fire or Flue System components from different sources or modifying the dimensional specifications of components using more than 1 metre of extra flue may result in hazardous conditions. Where such action is considered the manufacturer should be consulted in the first instance.

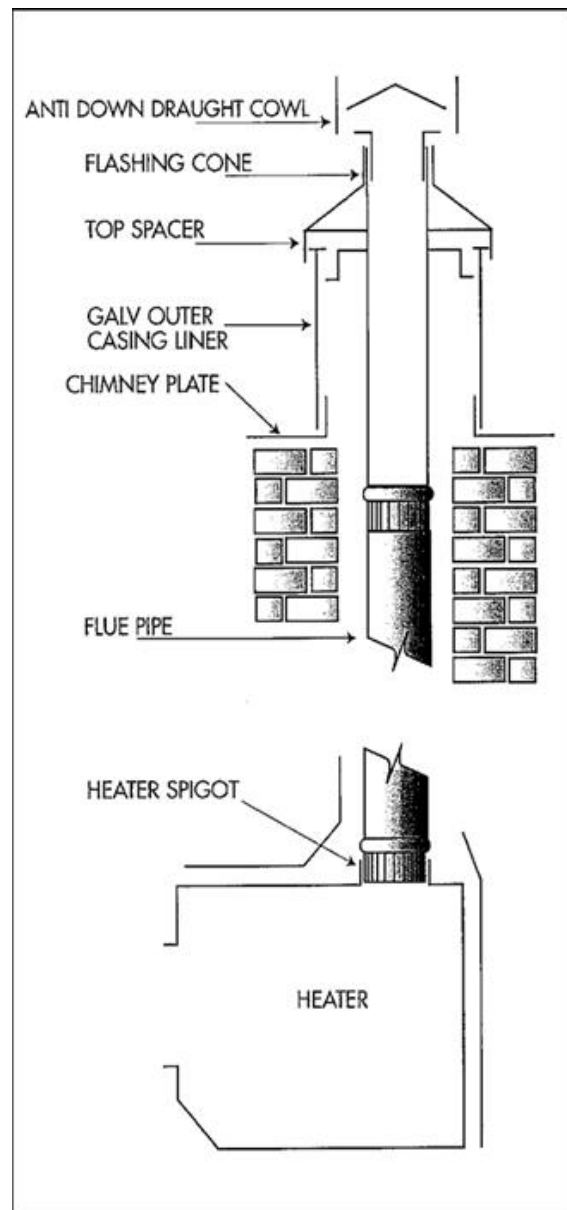
Position the Fire in the fireplace.

Extend plumb line from the top of the chimney, ensuring fire spigot is in line with top of the chimney. If not, flue offsets will be required.

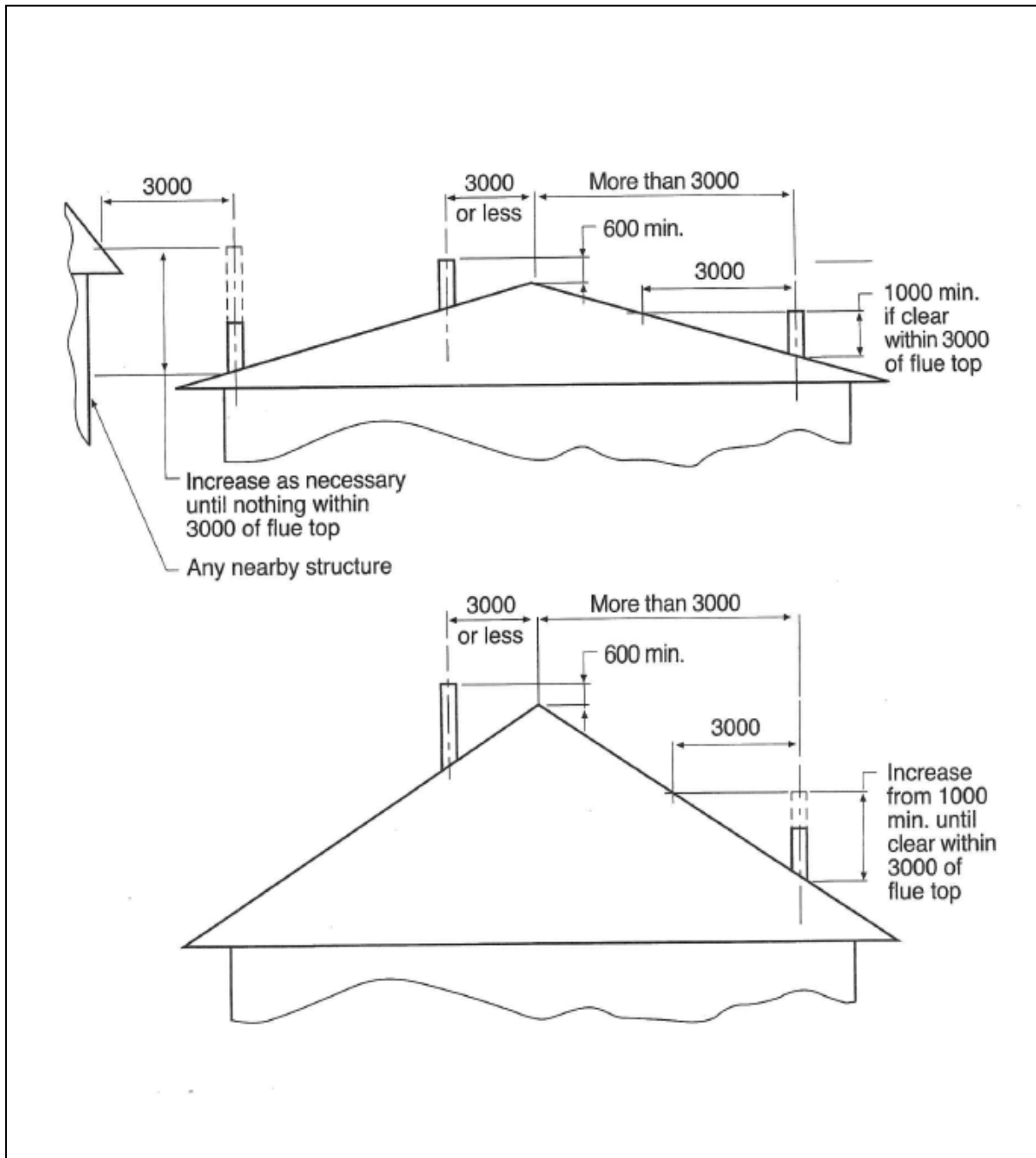
- 1) Assemble flue ensuring all seams are in line and assembly is straight and tight with crimped ends pointing downwards.
- 2) Secure flue with at least three stainless steel or monel rivets and seal.
- 3) Fasten chimney plate supplied onto the chimney top. The chimney plate must be weather sealed with silicone or mortar.
- 4) Install chimney liner over chimney plate.
- 5) Ensure flue is extended over the chimney liner by 180mm. Secure top spacer bracket to the flue and ensure slots fit snugly inside the chimney liner.
- 6) Slide flashing cone over top of flue until it rests firmly over the top spacer.
Ensure ventilation gap is not closed off.
Secure with pop rivets or self-tapping screws.

Fit anti-down draught cowl.

Do not secure the cowl as it must be removed for cleaning.



Flue Height Requirements



NOTES

The Fire must be installed with a minimum flue length of 4.2m. If the flue is to be extended by more than 1 metre, the Manufacturer must first be consulted.

The flue cowl must be at least 600mm above the highest point of the roof if within 3 metres of it, or 1 metre above the roof penetration if more than 3 metres from the ridge.

No part of the building, or any adjacent building may be in or above a circular area of a horizontal radius of 3 metres from the flue exit.

Topaz Installation in a Masonry Chimney

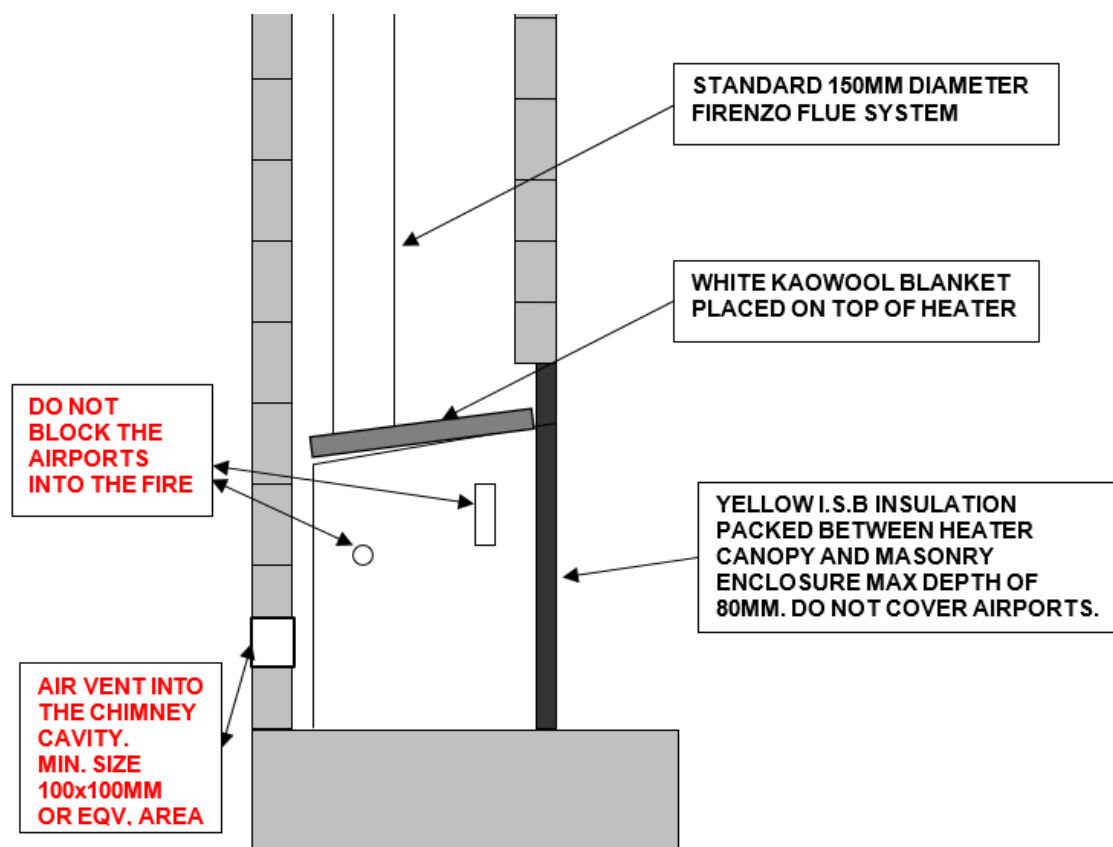
When being installed in a masonry chimney, it is recommended that the Topaz fire is installed flush with the hearth with a Topaz Lowlime Fascia.

When installing the Topaz Firebox in a masonry cavity you must allow a minimum of 30mm clearance between the firebox and masonry at the sides and back, and 10mm clearance above. This results in the following minimum cavity requirements;

Minimum Cavity Width = 825mm

Minimum Cavity Depth = 530mm

Minimum Cavity Height = 630mm



Note:

You must provide a source of oxygen into the chimney cavity.

This is best done with an external vent in the back of the chimney chase behind the fire.

The air vent in the chimney must be a minimum area of 10,000mm².

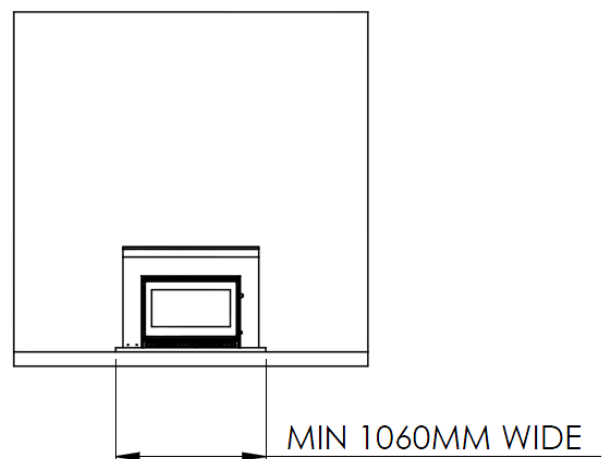
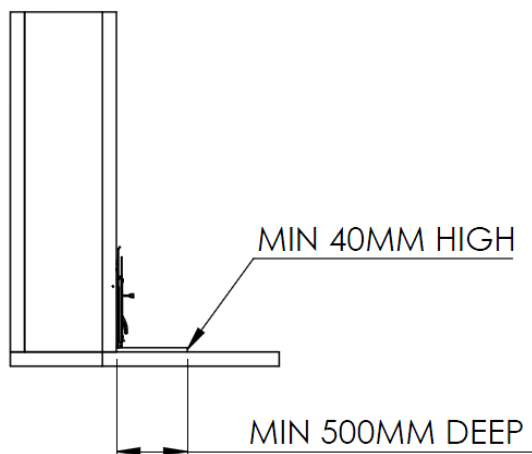
Hearth Specification

An Insulated Floor Protector (Hearth) consists of a minimum of 20mm of insulation board (Promatech H, Eterpan LD, Pacbld-Pro or product of similar thermal resistance) and tiles/slate or similar with sealed joints on the top surface to protect from spilt ash/embers.

The standard hearth specification for the Topaz Lowline is 1060mm wide, 500mm deep and 40mm high above the combustible floor surface. If the hearth is taller, the table below can be used to specify the required depth of the insulated floor protector.

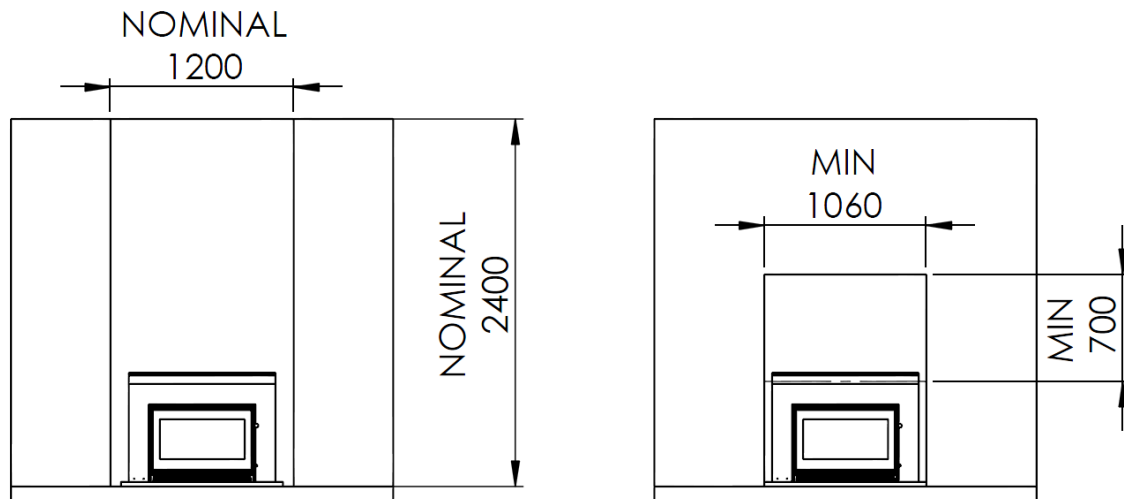
Where the hearth is level with a combustible floor covering (e.g. carpet), the hearth must extend 600mm from the front of the firebox.

| Height of Hearth above Flooring | Minimum Hearth Depth |
|---------------------------------|----------------------|
| 0mm (Level) | 600mm |
| 40mm | 500mm |
| 60mm | 450mm |
| 80mm | 400mm |



Wall Lining Specification for a Hearth Installation

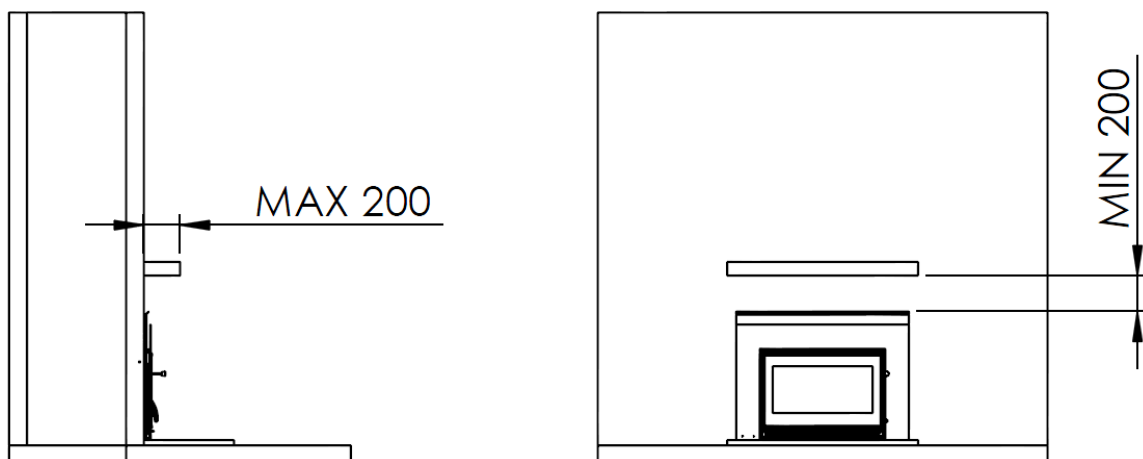
The non-combustible wall lining must extend from the hearth surface to a minimum of 700mm above the top of the steel fire canopy. It is recommended to use a full sheet of non-combustible board to minimise the plaster joins in the wall.



Mantel Clearance for a Hearth Installation

The Topaz Fire cannot have a combustible mantel.

For a non-combustible mantel, the underside of the mantel must be more than 200mm from the top edge of the Topaz Lowline Fascia. The maximum allowable depth for a non-combustible mantel is 200mm.



Non-Combustible Mantel Only



Firenze Woodfires

Manufacturers of

Free-Standing Woodfires

Bronte

Contessa

Encore

Lady Kitchener

Napier

Viking

Vision

Topaz

Insert Woodfires

Aqualux

Athena Bay & Flush

Forte Bay & Flush

Kompact Athena

Kompact Deco

Kompact Diva

Kompact Forte

Kompact Serenity

Topaz

98 Niven Street

PO Box 3231

HB Mail Centre

Napier 4142

Phone: 06 8438260

Website: www.firenze.co.nz

Email: firenze@firenze.co.nz