

# THE COASTER



## THE COASTER

Designed for this country's most challenging environments

**The Coaster** provides the reliability you need when keeping warm can be a matter of life or death. This rugged multi-fuel fire combines value, performance, efficiency and flexibility - with a cook top and a wet back option. Designed and built in New Zealand by Harris Home Fires.

- Burns wood and coal
- Dual air controls
- 15 year warranty
- Powerful 22kW output
- Optional wet back
- Cook top - great for power outages
- Generous fire box
- Exempt from NES clean air requirements
- Large ash pan

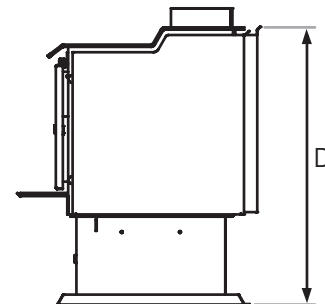
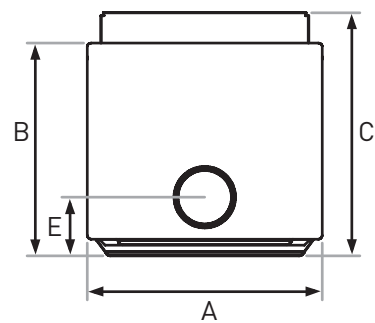


New Zealand's leading supplier  
of advice and fires.

Available only from selected retailers

# The Coaster

Freestanding Multi-fuel



## Dimensions (mm)

		THE COASTER
A	Overall Stove Width	615
B	Stove Depth - Door to Rear	554
C	Overall Stove Depth - Ledge to Rear	633
D	Overall Stove Height	726
E	Flue Centre to Back of Unit	149

## Clearances (mm)

	A	B	C	D	E	F	G	H	J	K	L	M	N	O
THE COASTER	250	550	300	150	225	391	858	516	915	1071	1410	1152	680	440

NOTE: All specifications are subject to change without notification. Please refer to the installation instructions when installing your fire.

