



Taurus DF Freestanding with bench

Encompassing style and class.








VisionLINE premium European fireplaces and venting systems are designed to meet the unique requirements of the New Zealand market.

This VisionLINE Taurus double-faced fireplace is distinguished by exceptional build quality and is available as either a freestanding or an inbuilt appliance.

*ECAN NO: **CRC243466 - Inbuilt**
CRC243465 - Freestanding

Approved to National Environmental Standards (NES)

Key Features

-  High heat/long burn times
-  Landscape viewing window
-  Kiln brick linings
-  Low emission wood burner
-  15 year firebox warranty
-  Sealed external air kit
-  Zero Clearance (inbuilt) installation

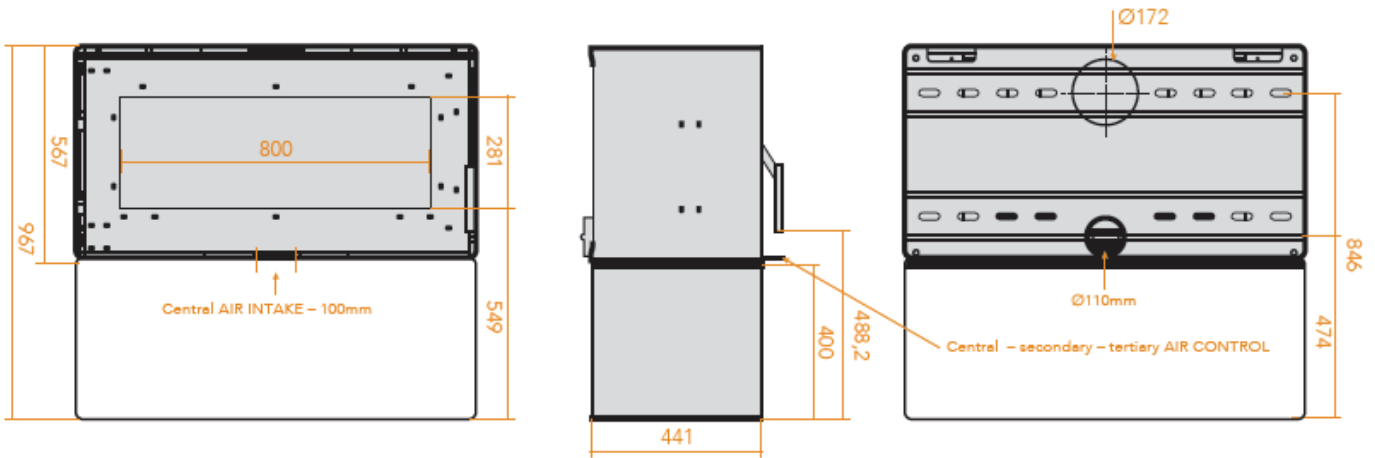
Product Specifications

(All dimensions in millimetres)

Firebox Models	Inbuilt & Freestanding SF
Emissions	1g/kg
Efficiency	65%
Fuel Source	Softwood
Weight	310kg including base

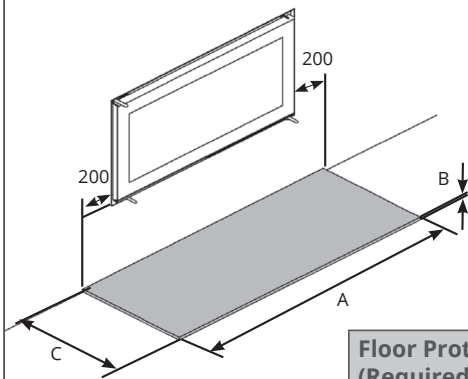
Product Dimensions

DESCRIPTION	Height	Width	Depth
Freestanding	567	1042	441
Inbuilt	567	1042	441
Bench	474	1042	441



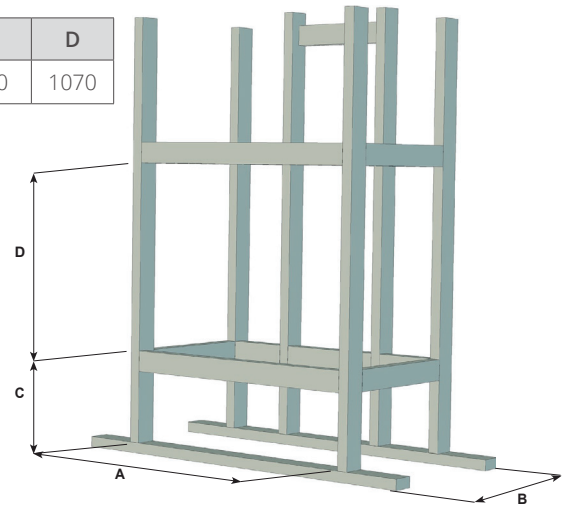
Installation Information

IMPORTANT: PLEASE REFER TO COMPREHENSIVE INSTALLATION INSTRUCTIONS PRIOR TO CONSTRUCTION AND INSTALLATION
 DOWNLOAD FROM: www.thefireplace.co.nz



INBUILT CAVITY	A	B	C	D
Taurus	1300	440	400	1070

Floor Protector (Required both sides)	A	B	C
Floor level or < 400mm	1240	50	500
Raised 400mm or >	1240	6	300



Options & Accessories

VisionLINE Air Flue System

A co-axial, room sealed insulated flue system for freestanding solid fuel fires. Designed to increase the performance and efficiency in the home when compared to a typical air cooled default flue. Ideal for passive homes.

VisionLINE Freestanding Fire

VisionLINE Bench - Steel bench for freestanding installations

Inbuilt ZCB - Zero clearance box for timber frame installations.

Outside Air Kit - Air for combustion



Exclusive New Zealand Distributor
The Fireplace Ltd
 12 Tawari Street, Mt Eden
 Auckland 1024, New Zealand
 Ph: 09 623 6990
 Email: sales@thefireplace.co.nz
www.thefireplace.co.nz

Your Local Retailer