



Unparalleled presence, clean-air technology.






The Stovax Studio range balances presence with efficiency and heating performance. A selection from this peerless range of contemporary fires will add gravity and style to any interior. It represents the pinnacle of British fire design, engineering and technical innovation.

This Studio 2 Clean-Air freestanding model has been specifically designed to meet stringent air quality standards. It is suitable for installation in most New Zealand airsheds.

***ECAN NO: CRC 133649**

Approved to National Environmental Standards (NES)

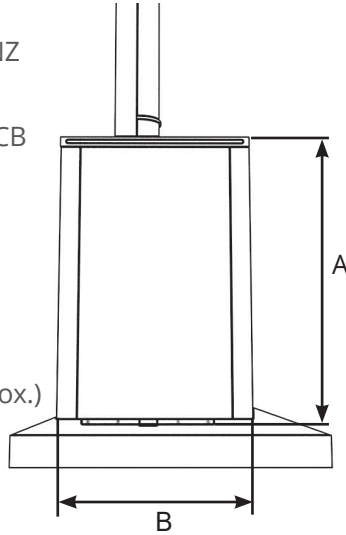
Key Features

-  Architecturally inspired design
-  Low emission wood burner*
-  High heat output fire
-  Landscape viewing window, with Airwash
-  Minimal ash and cleaning

Product Specifications

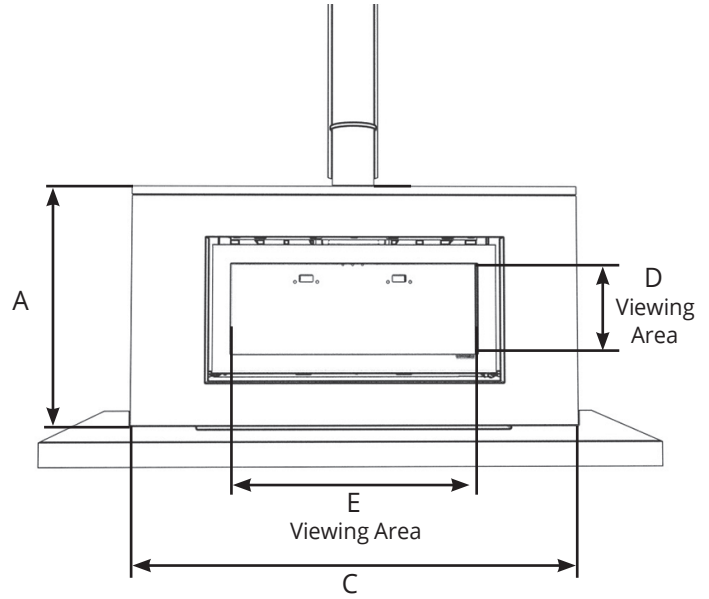
(All dimensions in millimetres)

Firebox Model #	RVST-2HTNZ
Firebox Cabinet #	RVST-2FSZCB
Average Heat Output	12kW
Emissions	1g/kg
Efficiency	66%
Fuel Source	Wood
ZCB & Firebox Weight	235kg
Flue Weight	35kg (approx.)



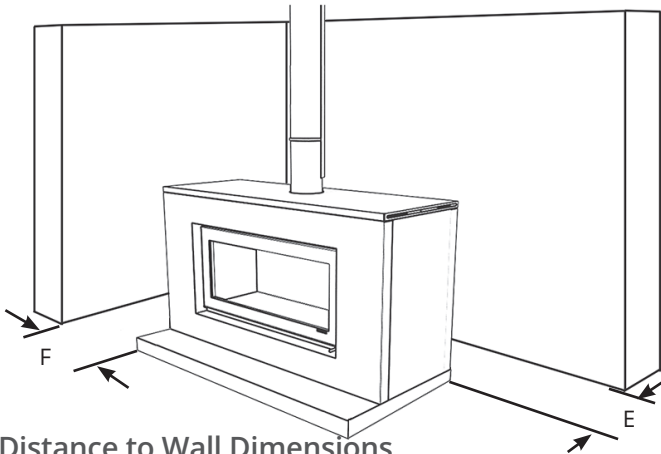
Dimensions	A	B	C	D	E	Flue dia.
(mm)	780	515	1410	290	790	150

Cabinet Dimensions



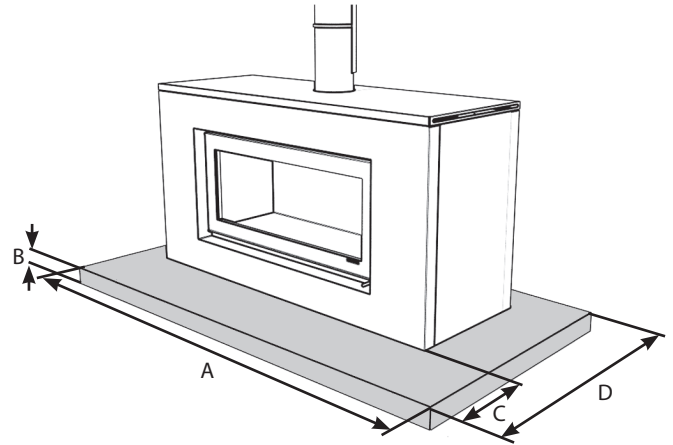
Installation Information

IMPORTANT: PLEASE REFER TO COMPREHENSIVE INSTALLATION INSTRUCTIONS PRIOR TO CONSTRUCTION AND INSTALLATION
 DOWNLOAD FROM: www.thefireplace.co.nz



Distance to Wall Dimensions

Wall Clearances	E & F Heat Resistant	E Combustible	F Combustible
(mm)	100	100	450



Floor Protector Minimum Dimensions

Floor Protector	A	B	C	D
(mm)	1600	24	300	920

Options & Accessories

Steel Bench (mm)

1410w x 300h x 515d

Bench Weight 90kg



Exclusive New Zealand Distributor

The Fireplace Ltd

12 Tawari Street, Mt Eden

Auckland 1024, New Zealand

Ph: 09 623 6990

Email: sales@thefireplace.co.nz

www.thefireplace.co.nz

Your Local Retailer