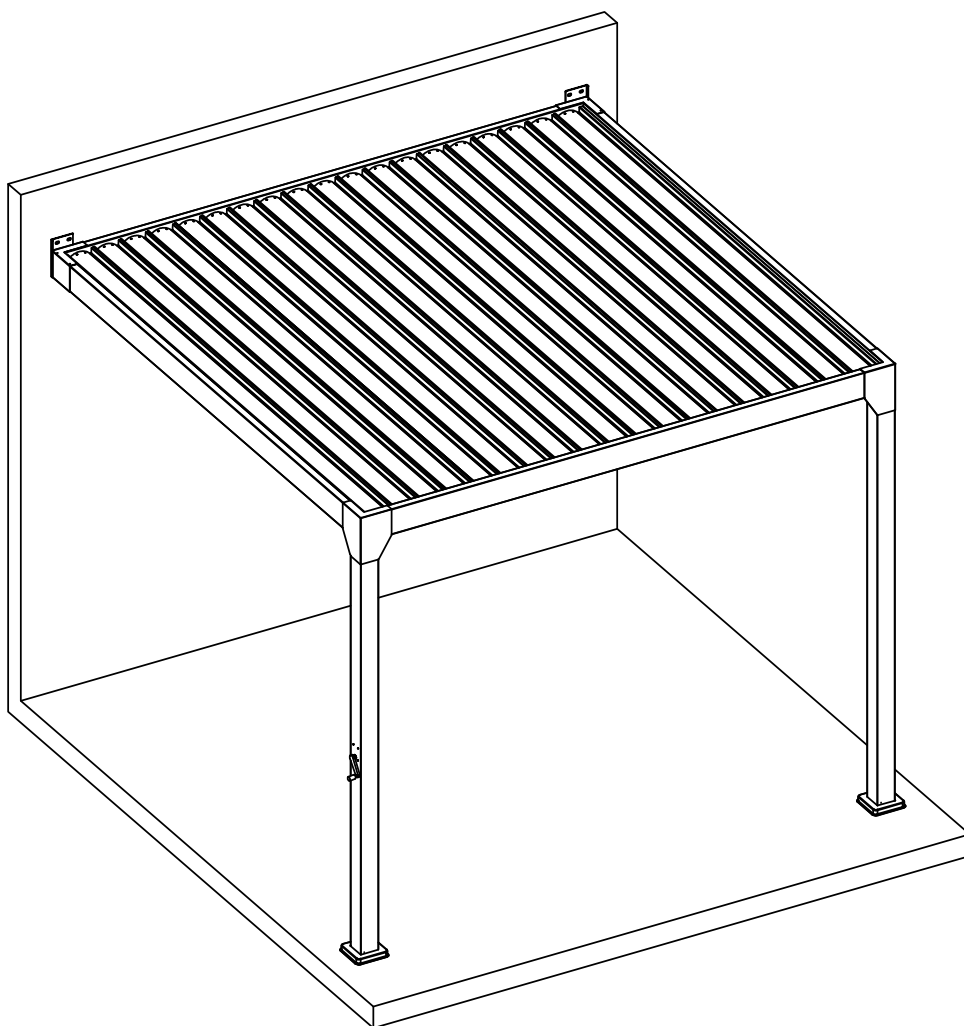
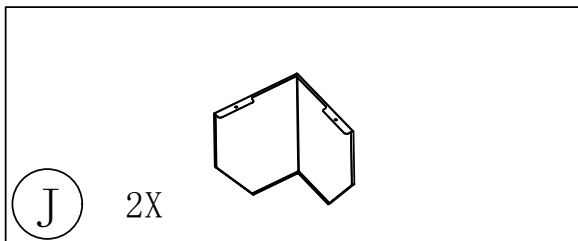
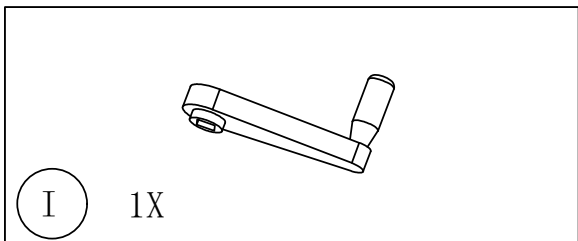
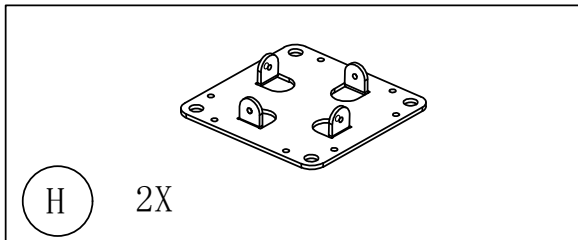
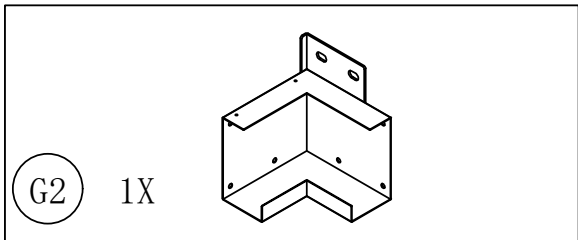
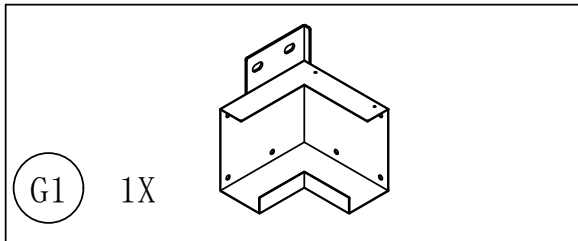
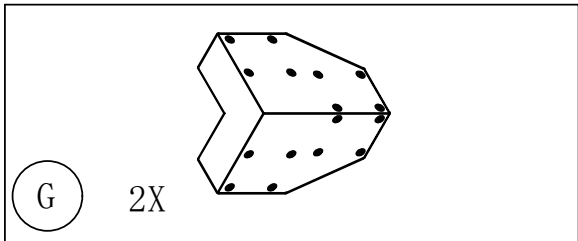
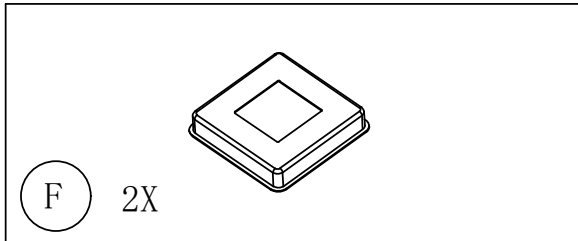
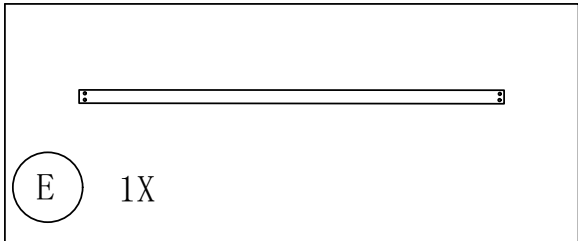
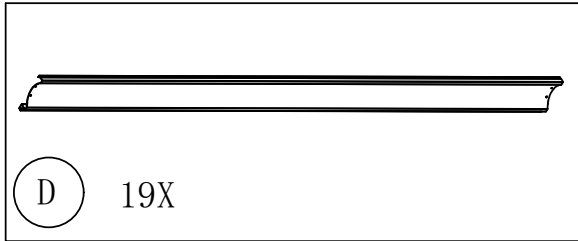
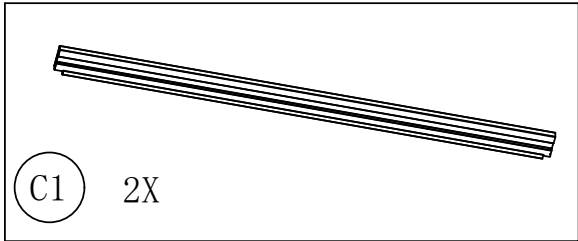
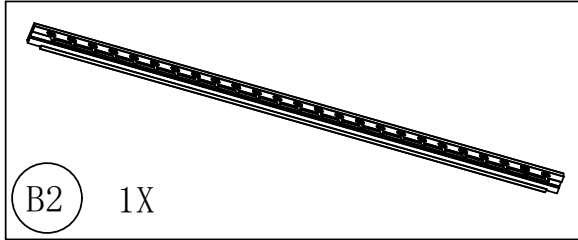
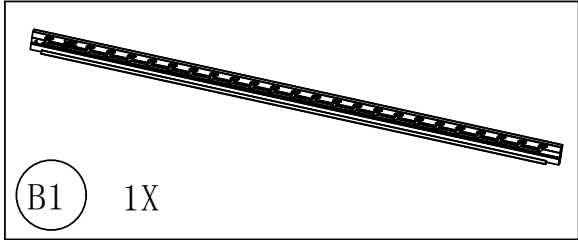
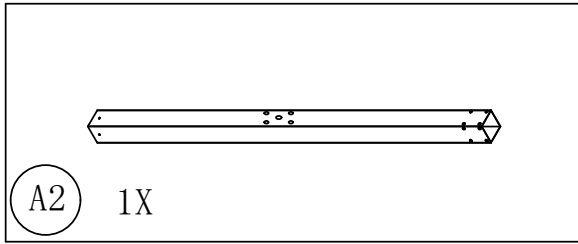
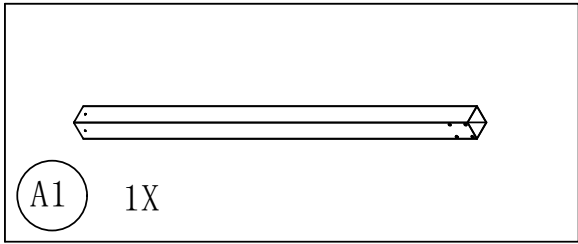
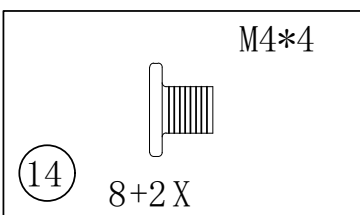
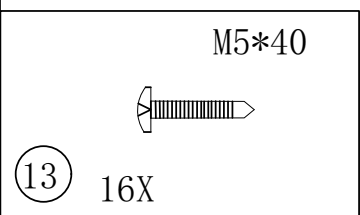
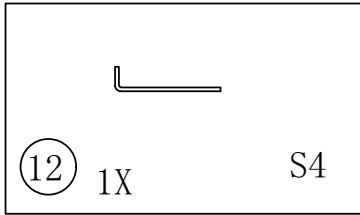
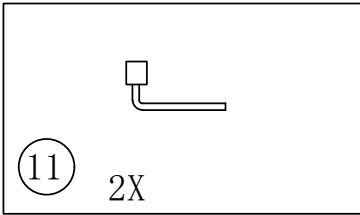
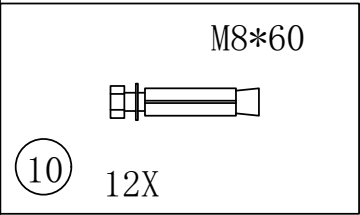
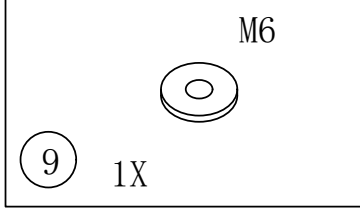
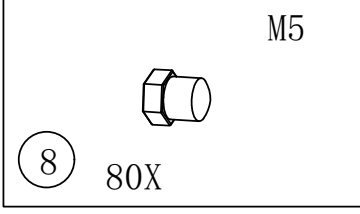
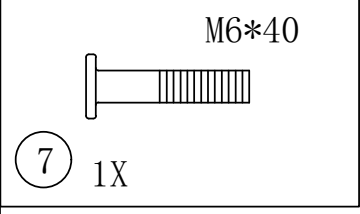
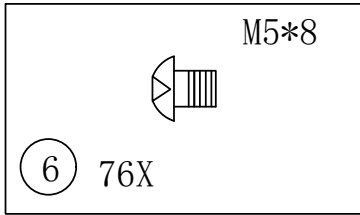
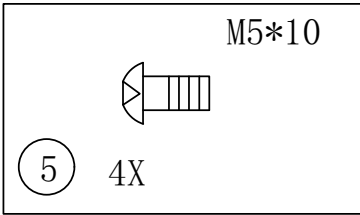
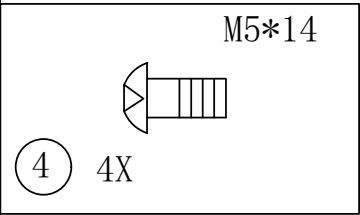
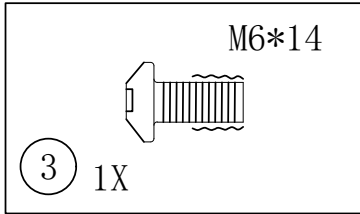
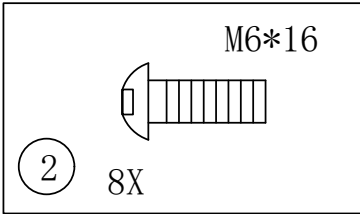
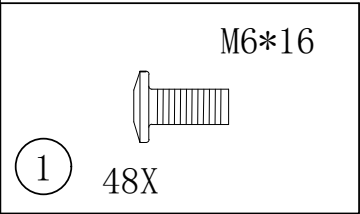
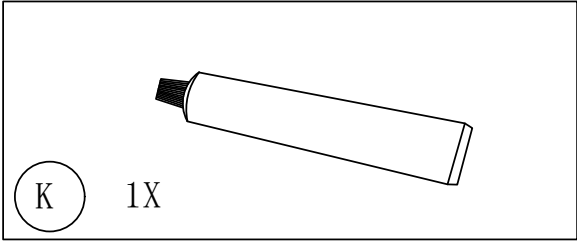
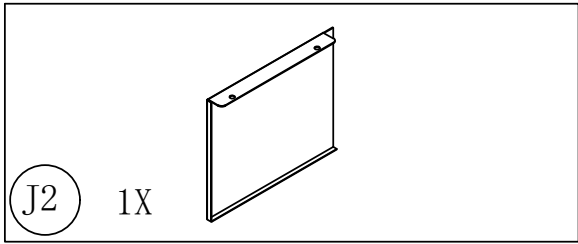
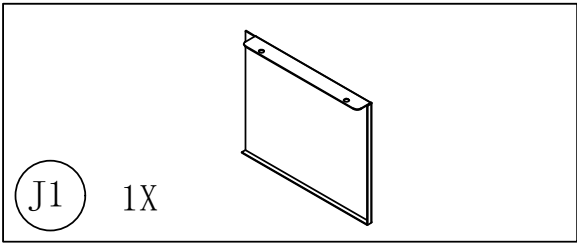


# 3 × 3 wall-mounted pergola

G38000/G38001/G38002/G38003  
G38004/G38005/G38006/G38007

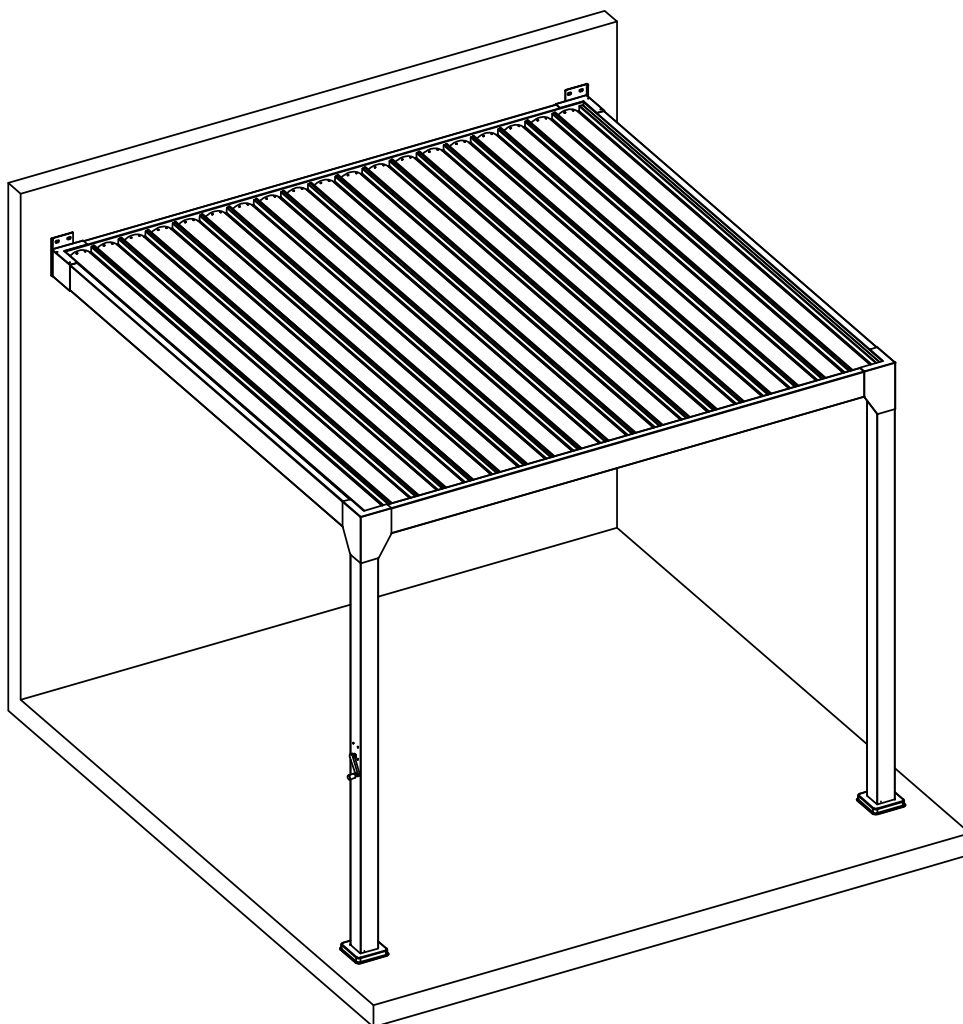


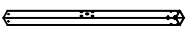




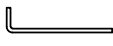


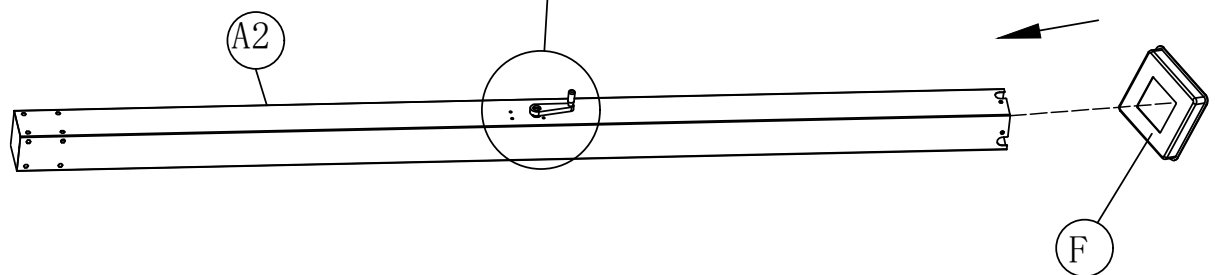
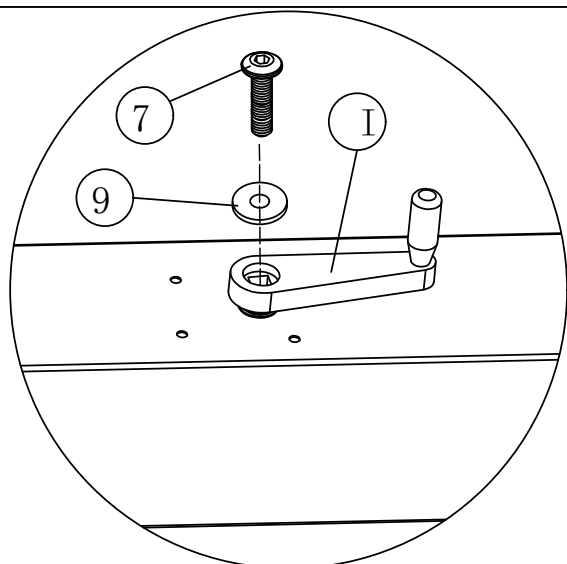



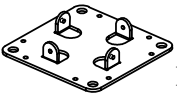
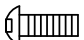
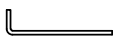
# WARNING

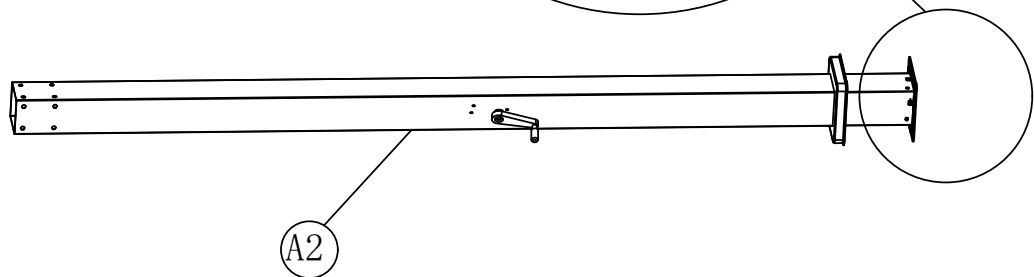
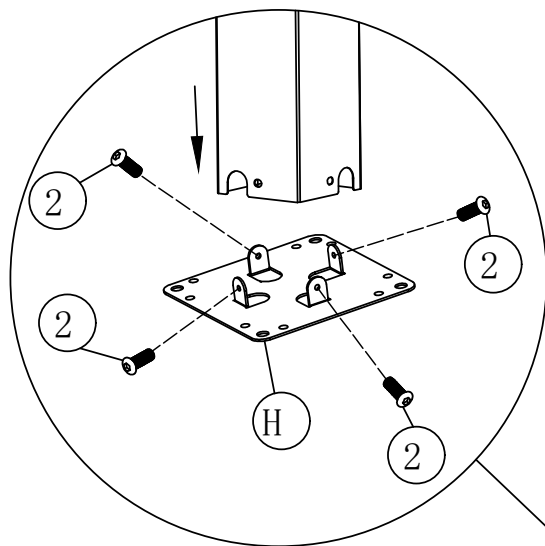
1. Installation must be carried out on a flat ground of at least 4 x 4 meters. Soft protective pads should be placed under the parts that come into contact with the ground to prevent scratches on the product surface!
2. After opening the box, first check the quantity of parts against the parts list.
3. The load-bearing capacity is 40kg per square meter. In case of extreme weather conditions such as snowfall and icing, if the weight exceeds this limit, the louver must be opened in advance.
4. After the blinds are closed, do not turn the handle too hard any more, or the internal mechanism may be damaged!

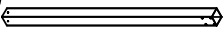



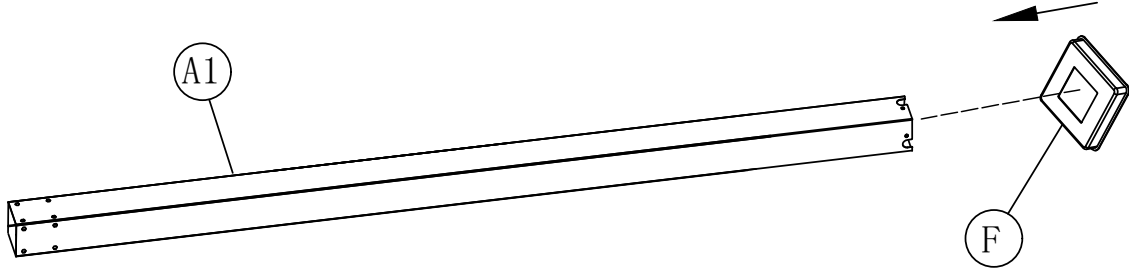
(A2)		1X
(F)		1X
(I)		1X
(7)		1X
	M6*40	
(9)		1X
(12)		1X
	S4	

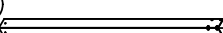
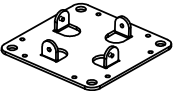




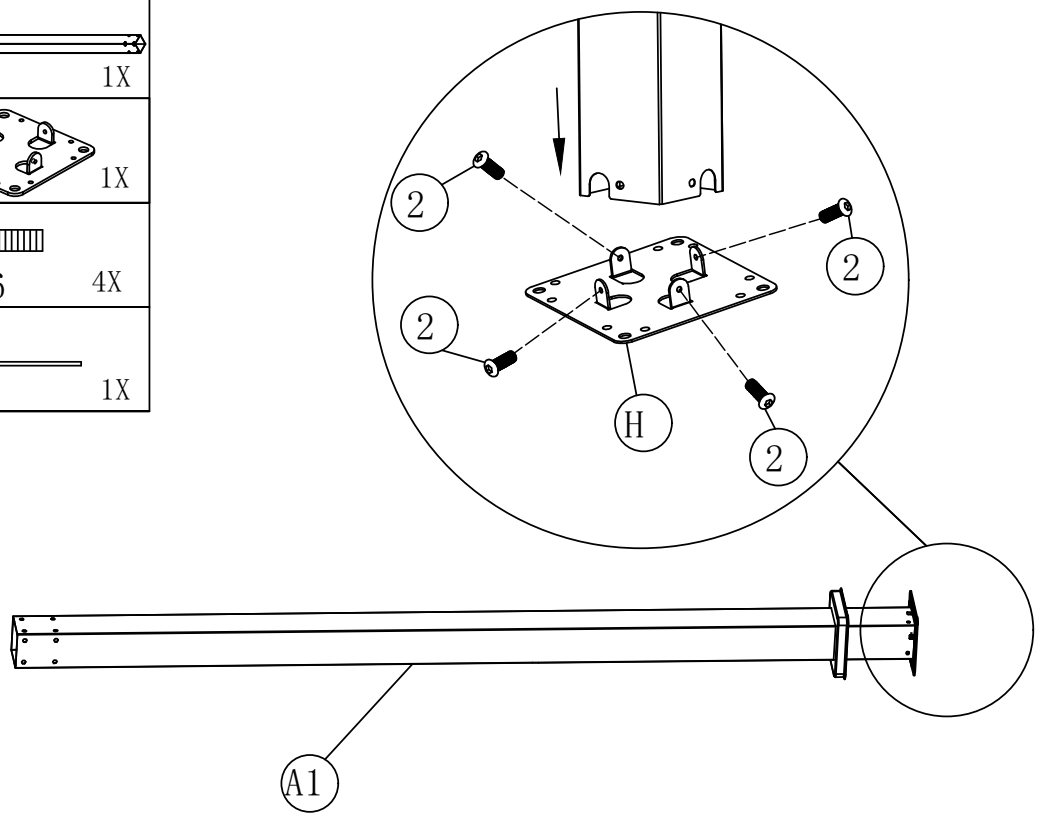
(A2)		1X
(H)		1X
(2)		4X
	M6*16	
(12)		1X
	S4	

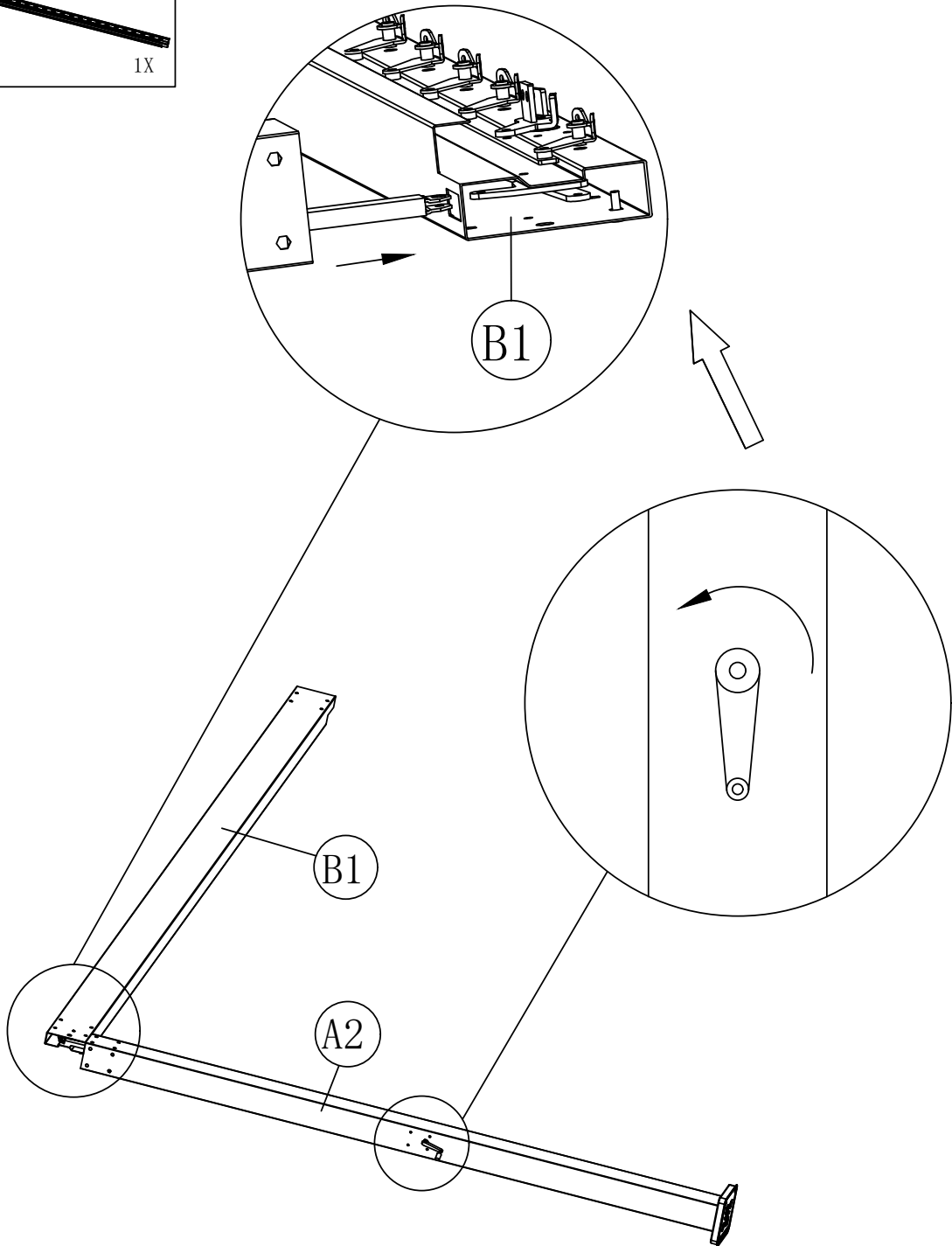
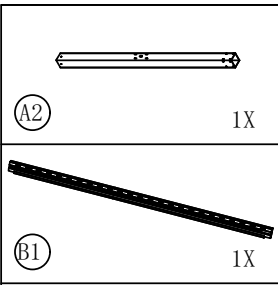




(A1)		1X
(F)		1X

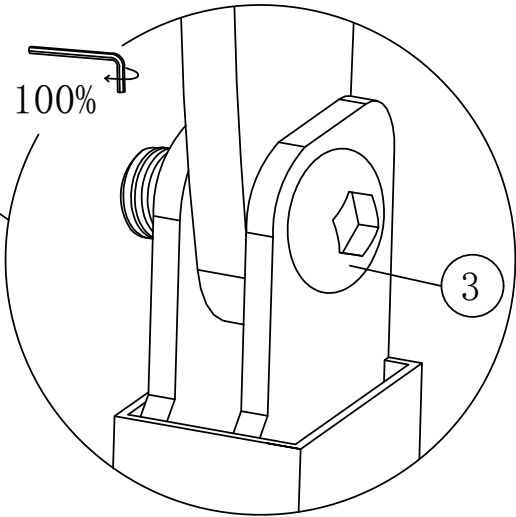
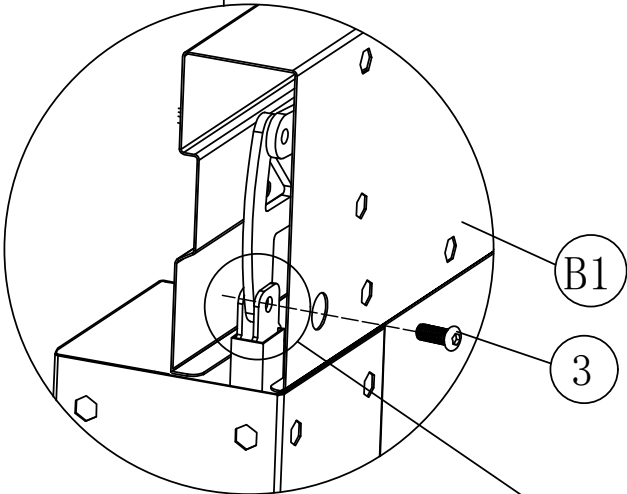
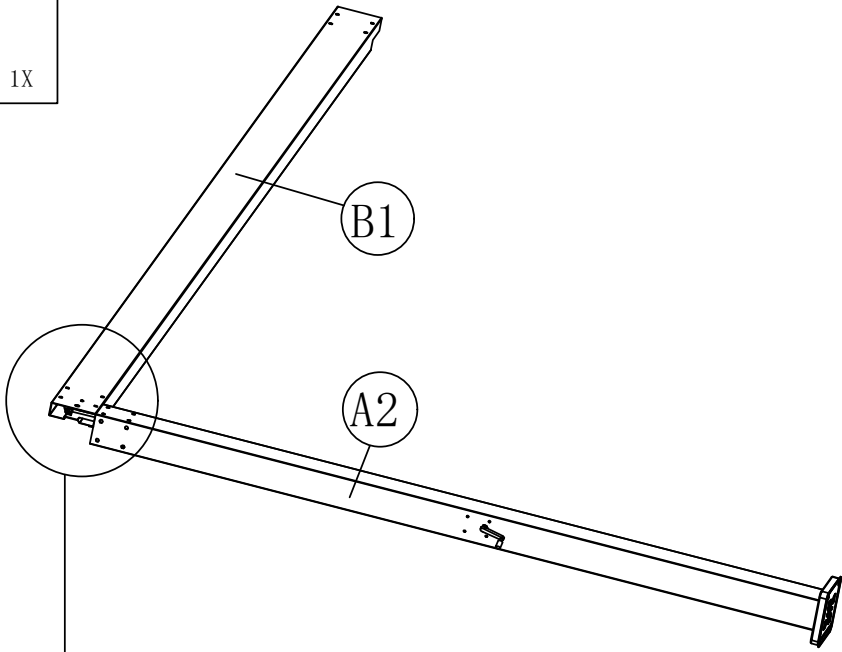


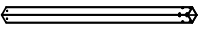

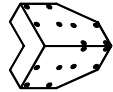
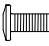
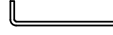
(A1)		1X
(H)		1X
(2)		M6*16 4X
(12)		S4 1X

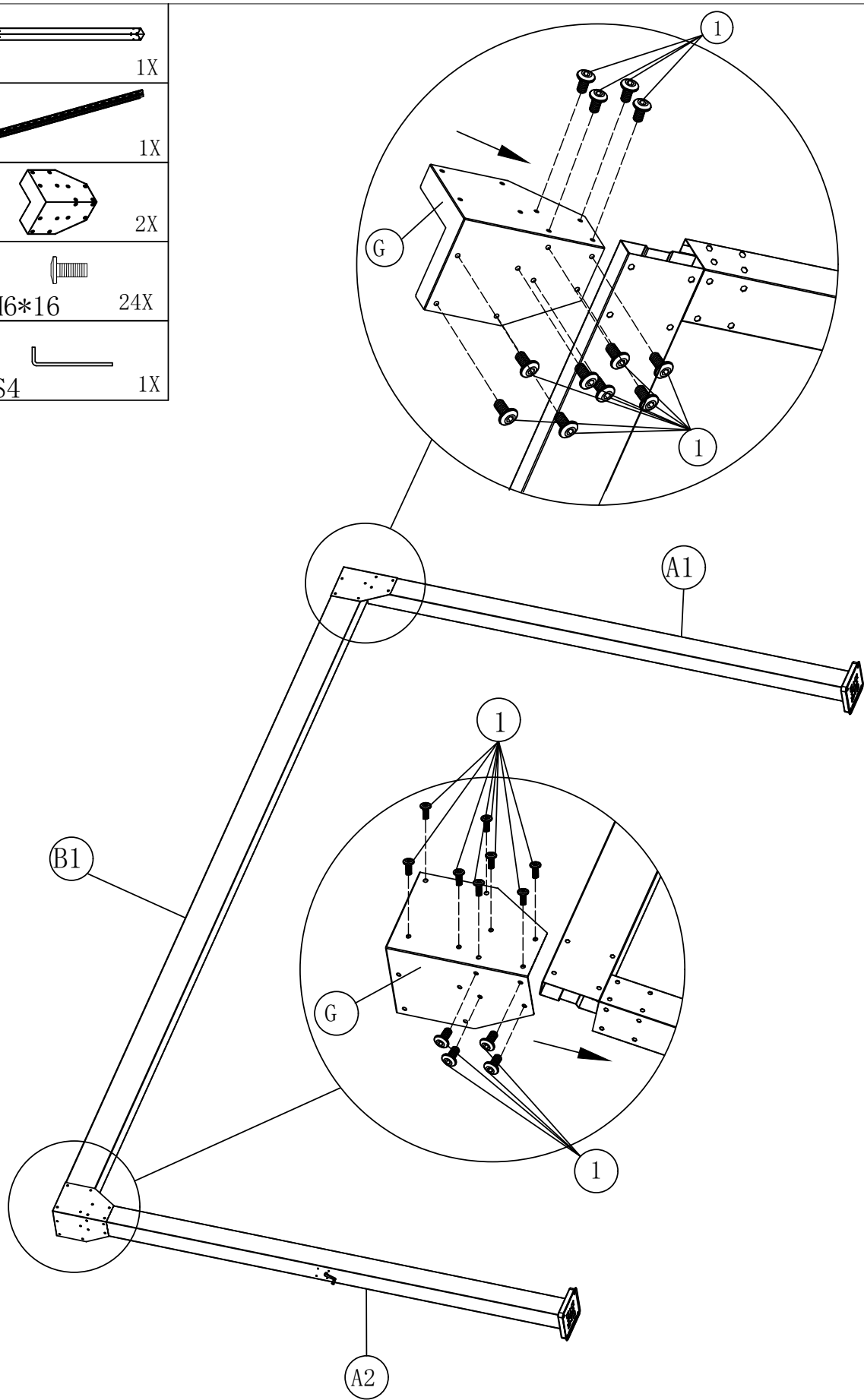



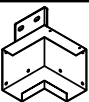
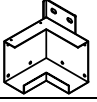




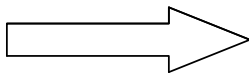
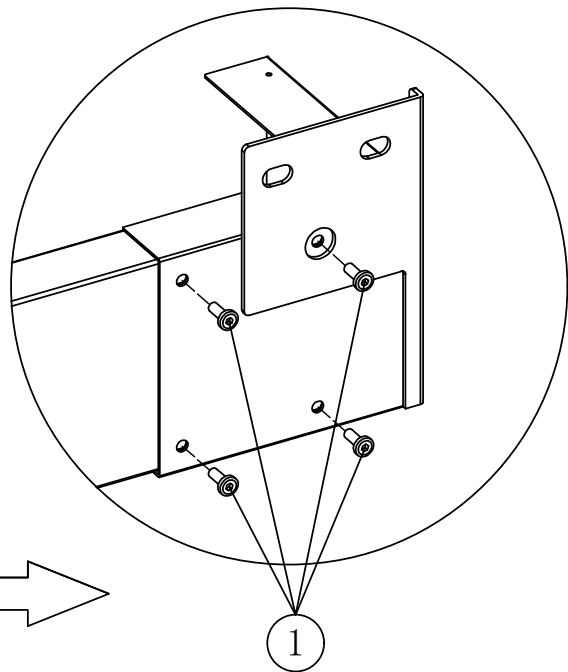
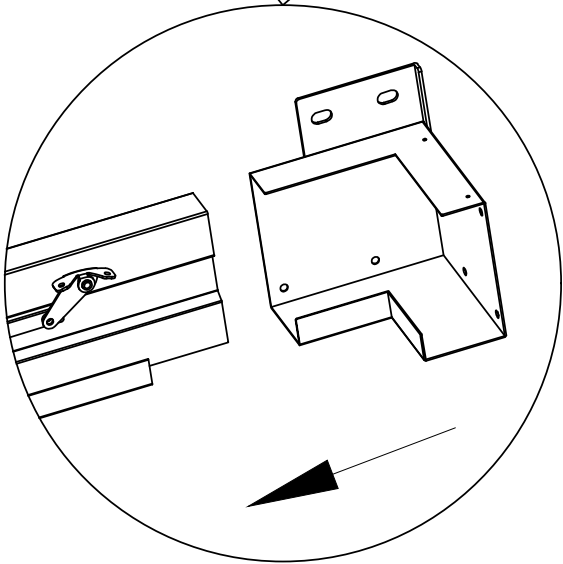
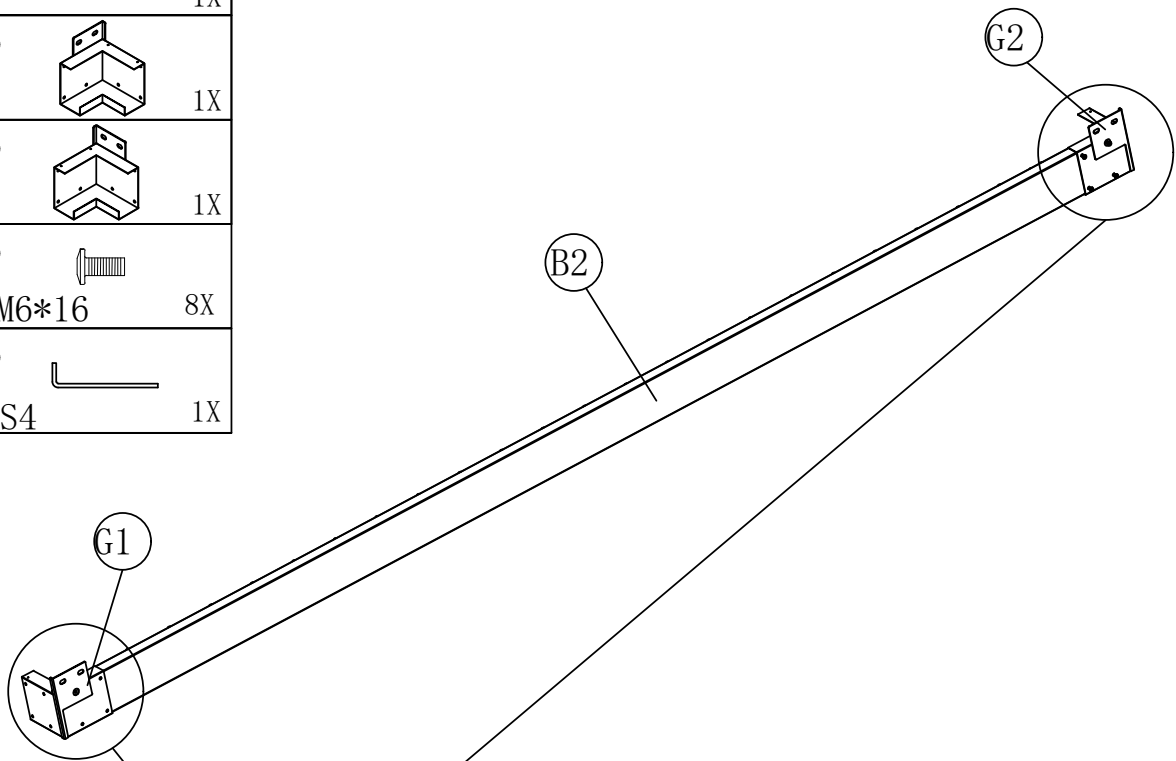
		
3	M6*14	1X
		
12	S4	1X



(A1)		1X
(B1)		1X
(G)		2X
(1)	 M6*16	24X
(12)		1X



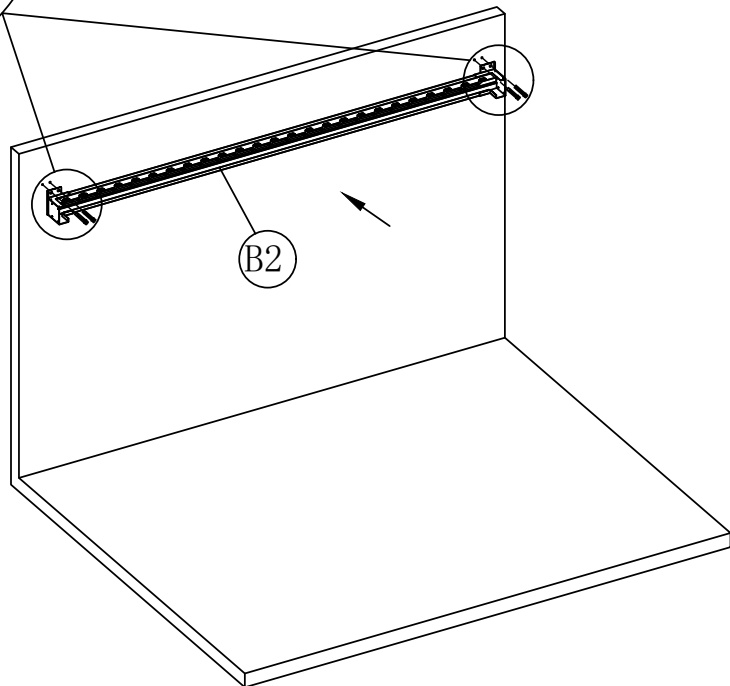
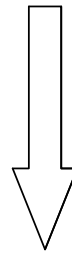
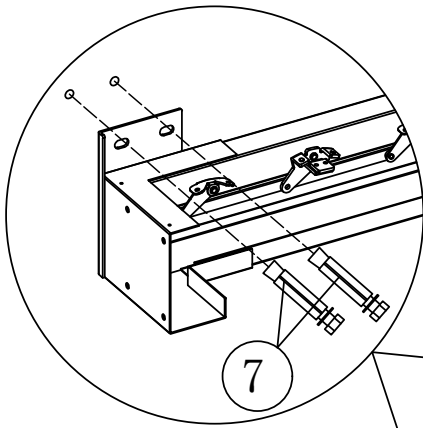
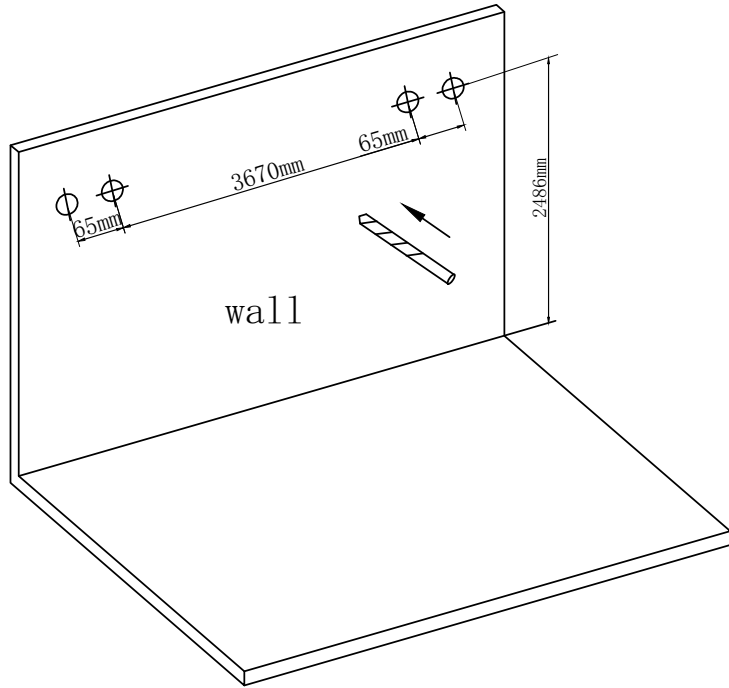
(B2)		1X
(G1)		1X
(G2)		1X
(1)	 M6*16	8X
(12)	 S4	1X

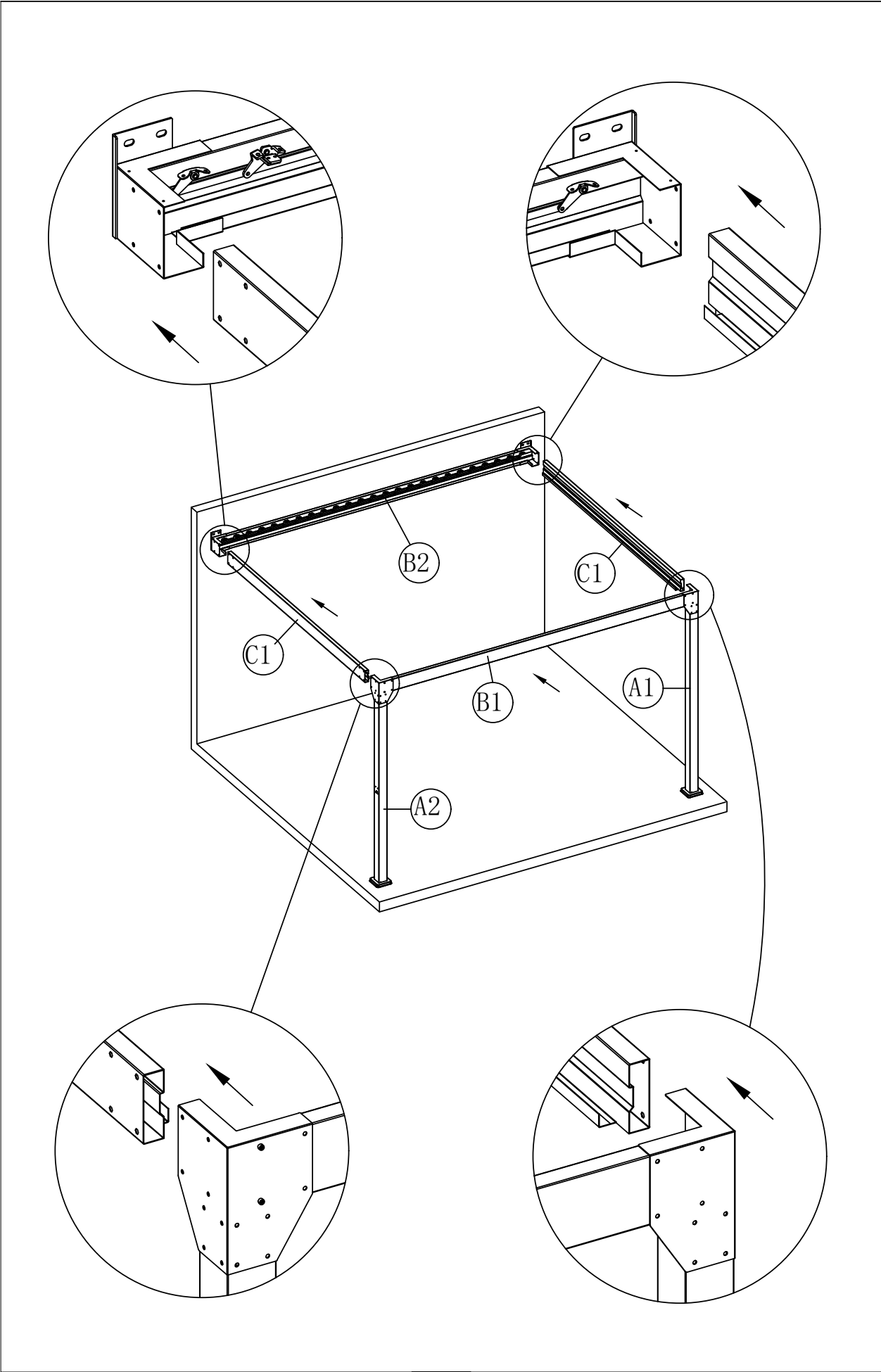



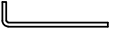


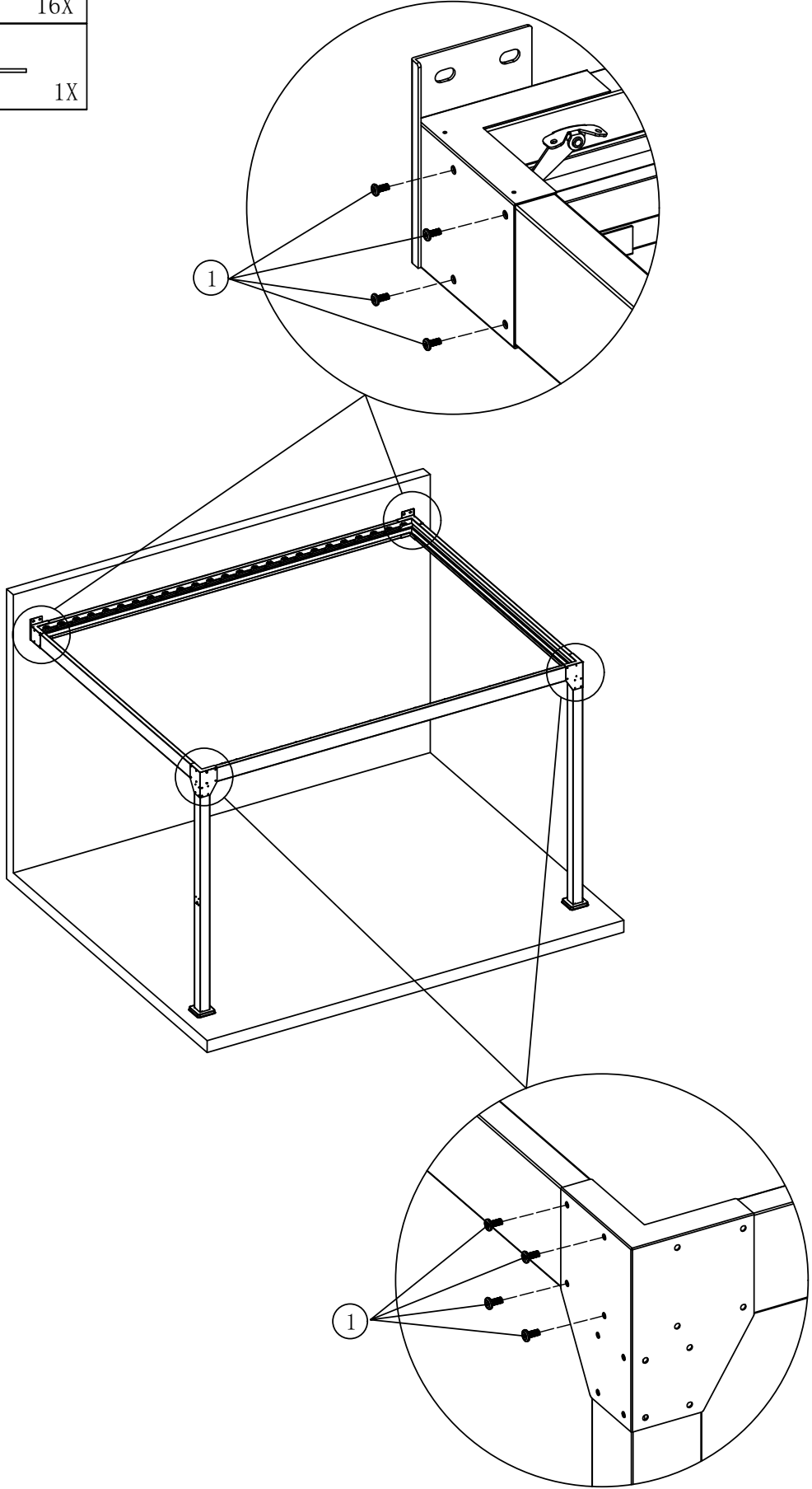
7 M8\*60



4X





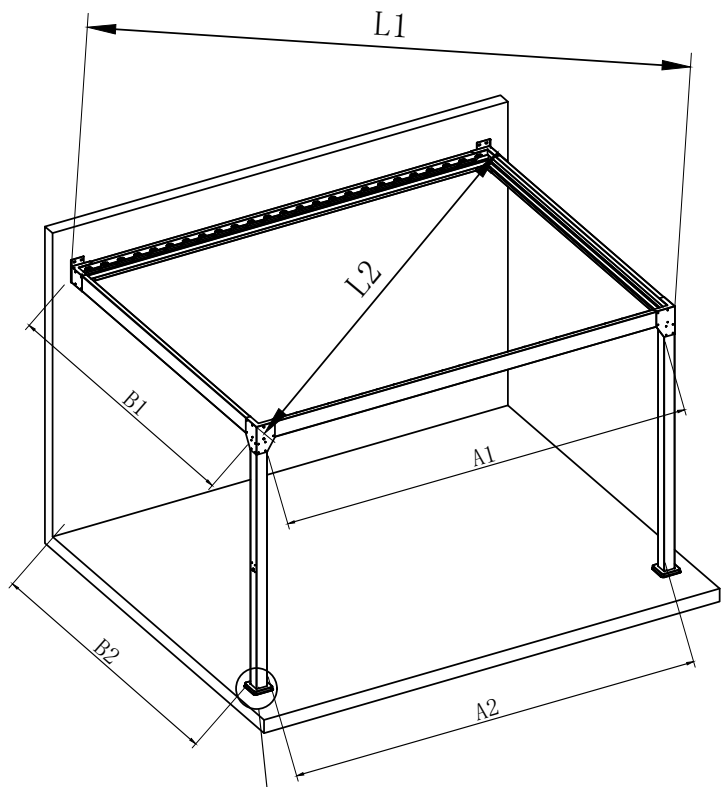
①	
M6*16	16X
⑫	
S4	1X



⑩		
	M8*60	8X
⑬		
	M5*40	16X

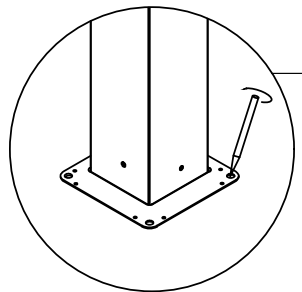


L1=L2  
A1=A2  
B1=B2

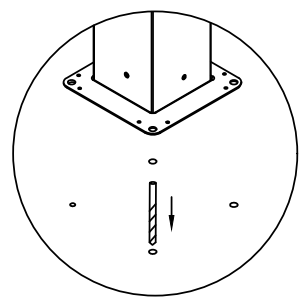
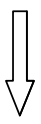


Installation method of concrete floor

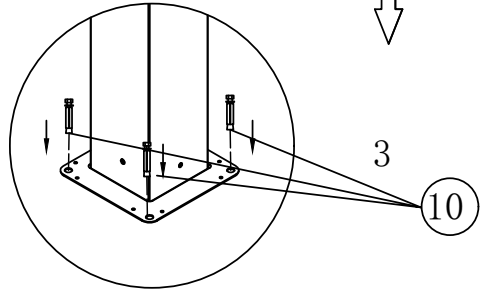
Wooden board installation method



1

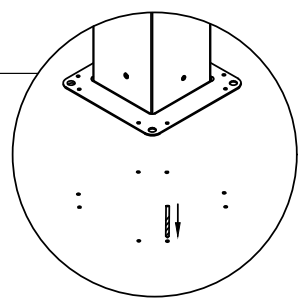


2

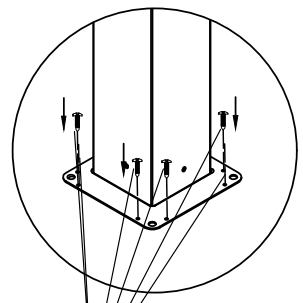
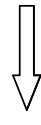


3

⑩

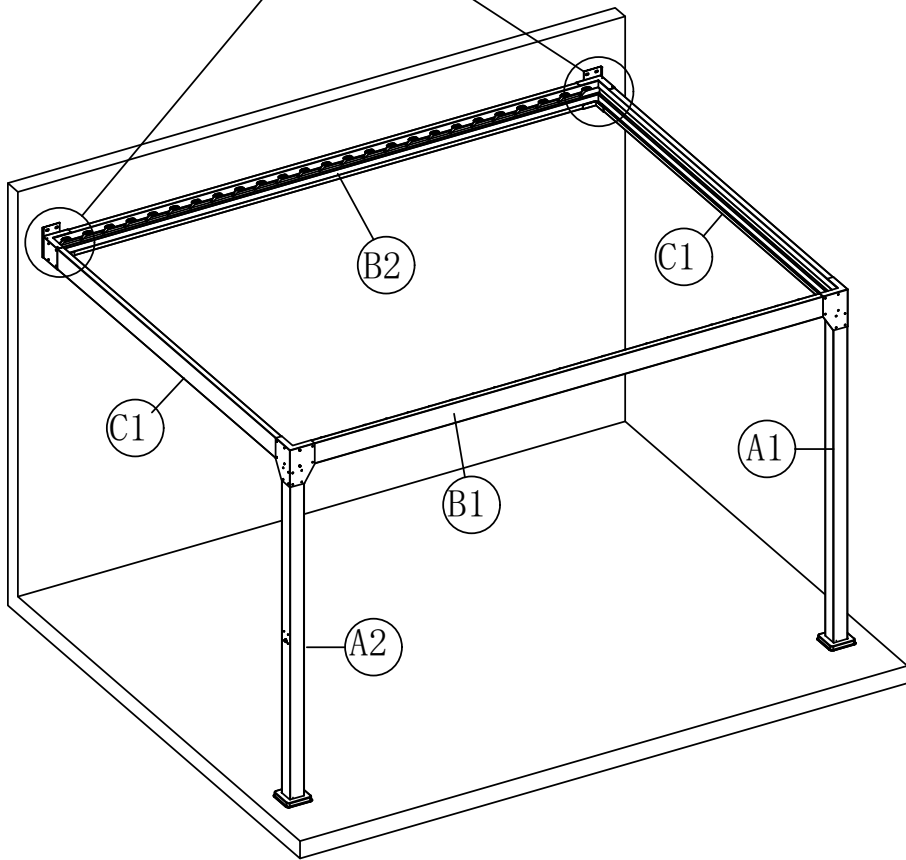
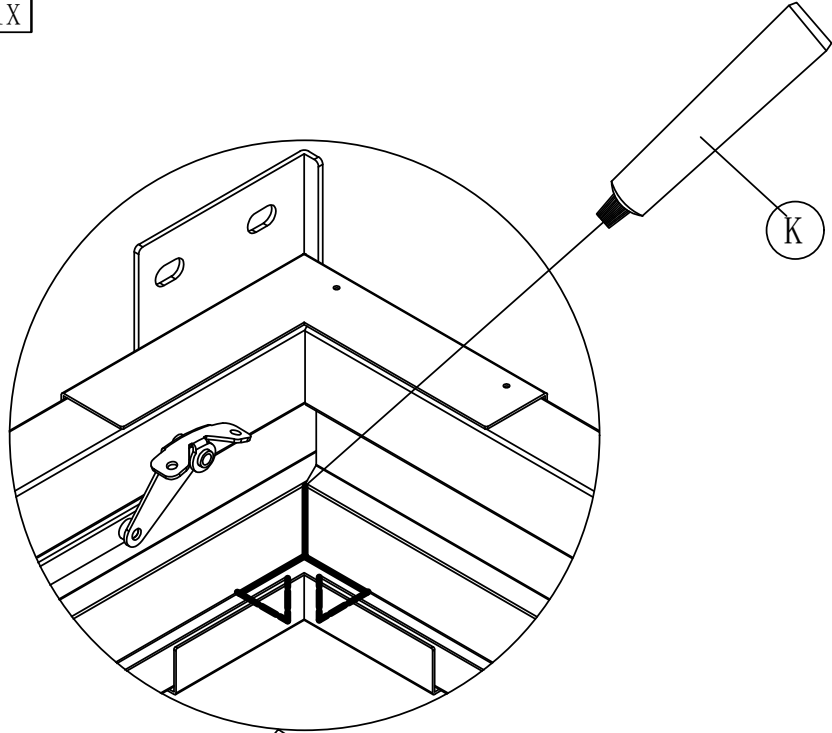
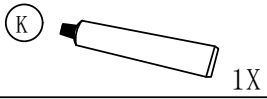


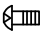
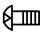
1

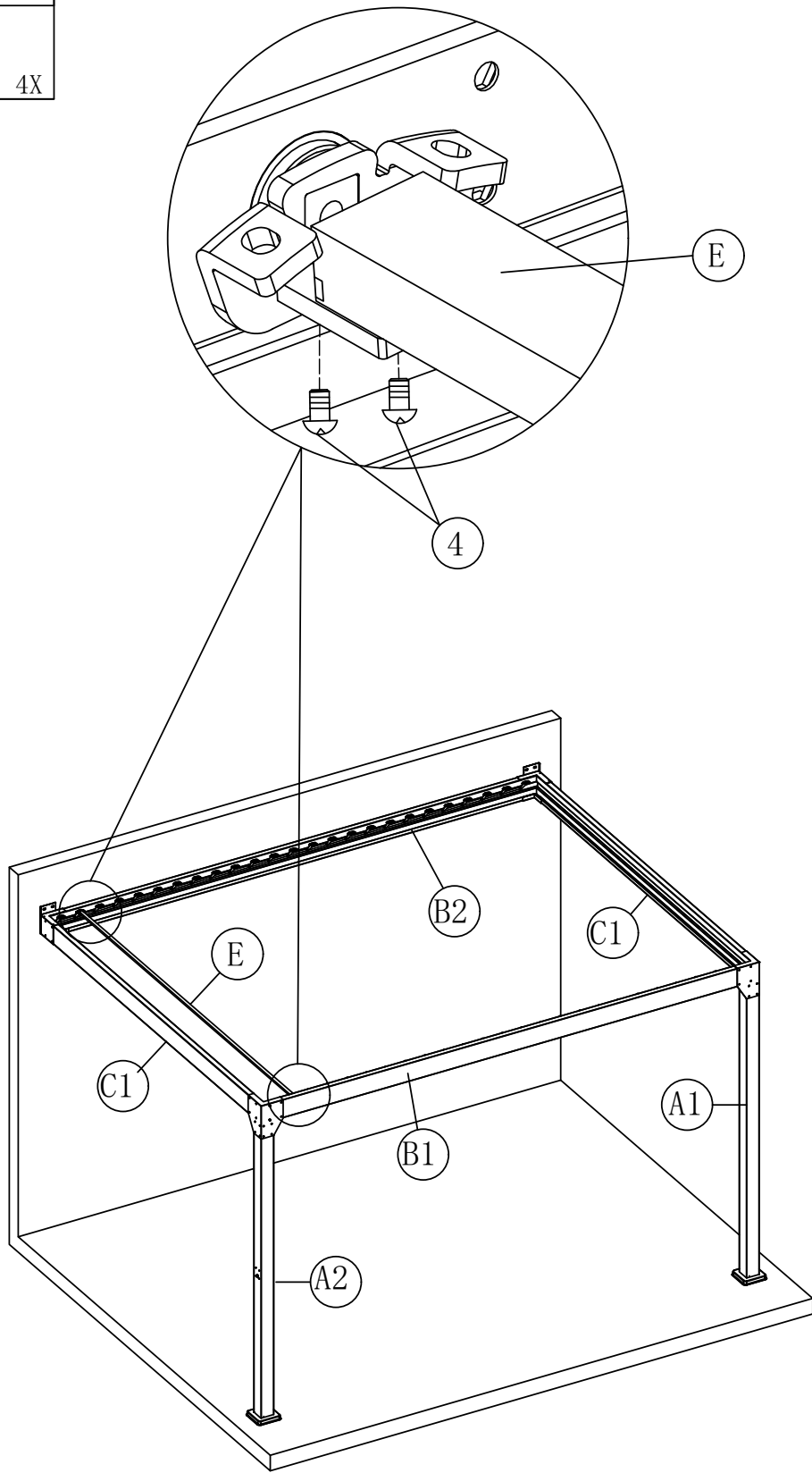





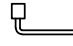
2

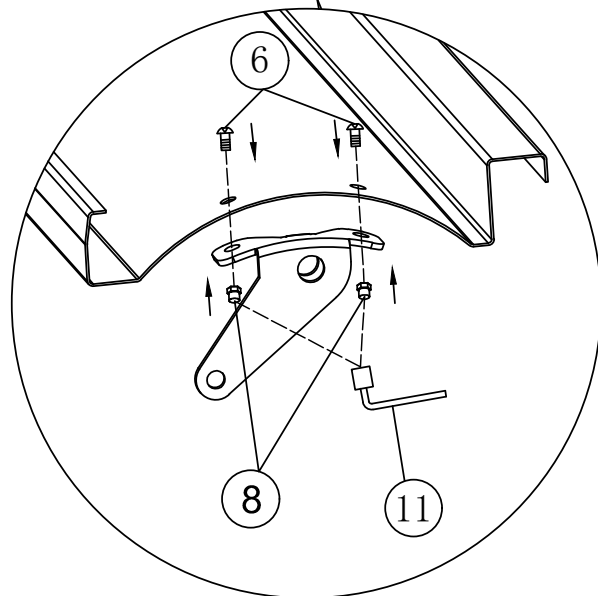
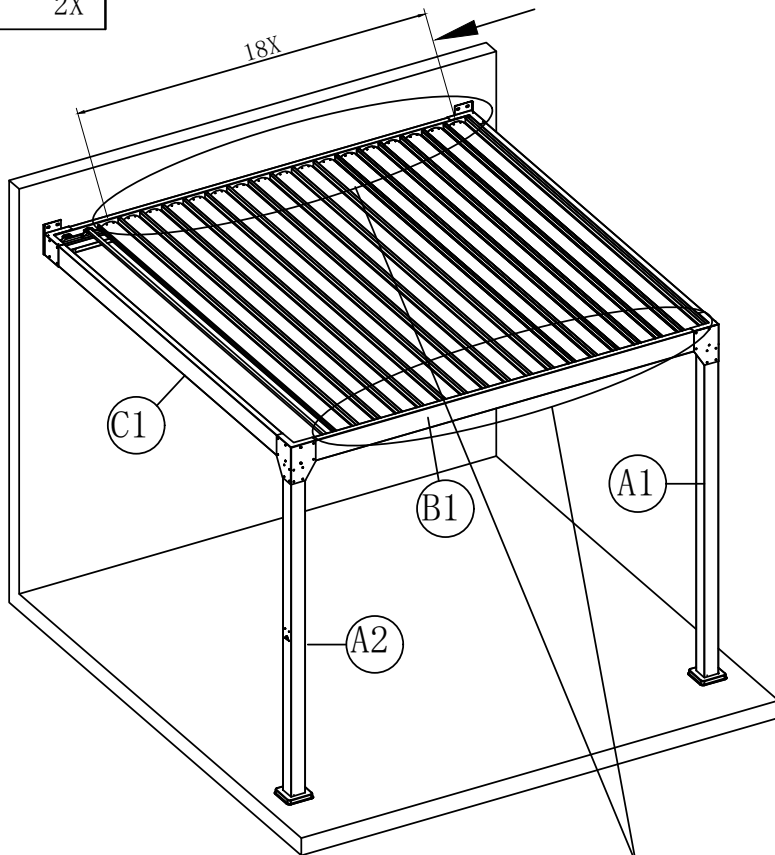
⑬


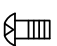
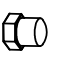
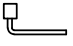


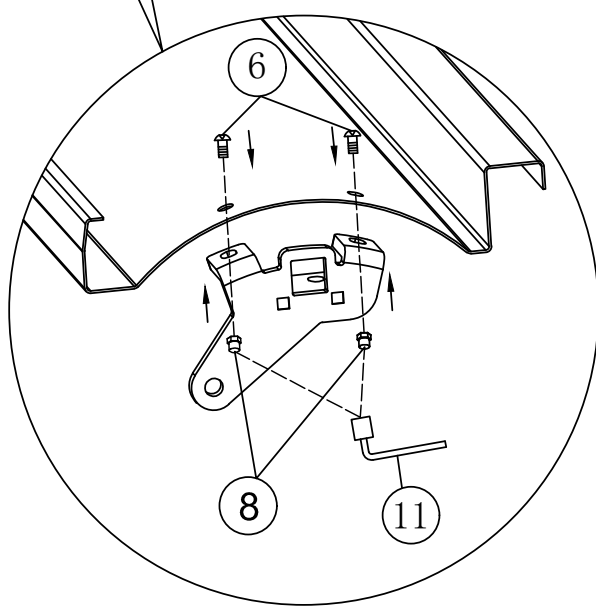
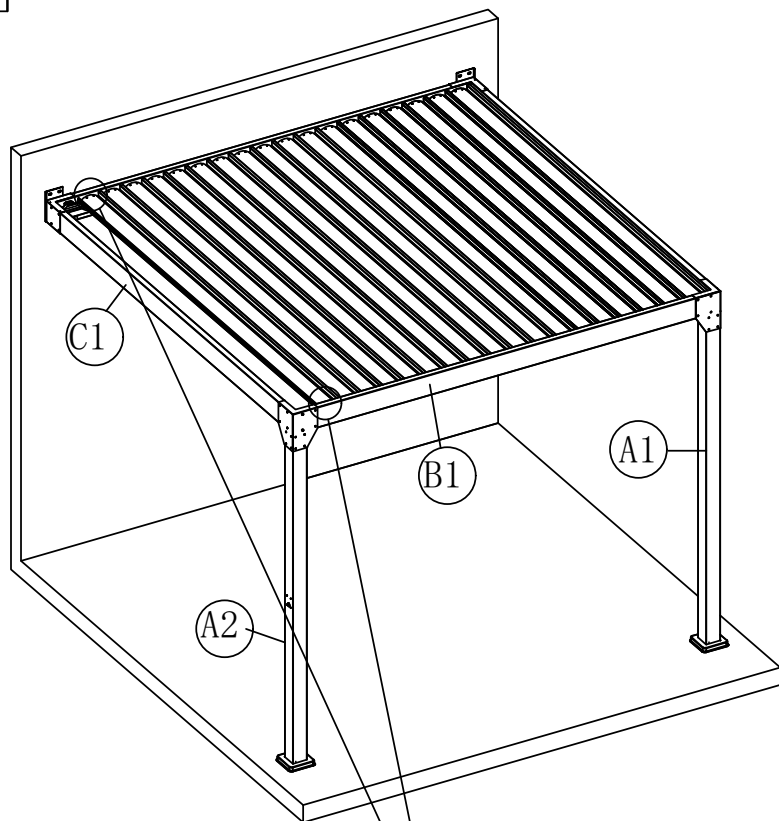
④  1X  
④  M5\*14 4X







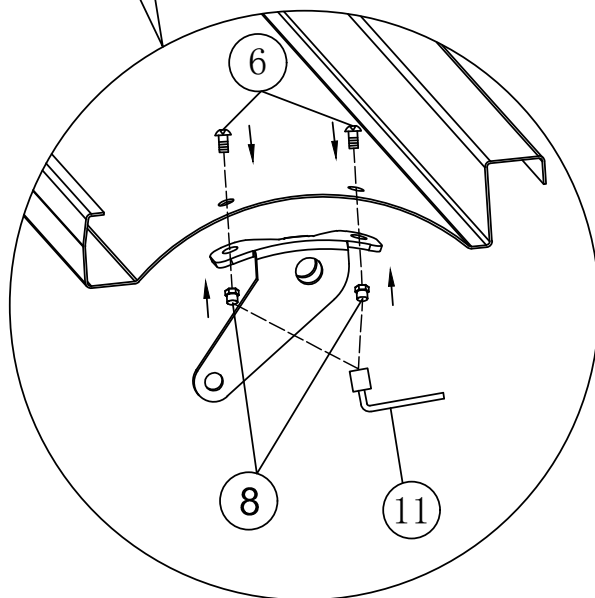
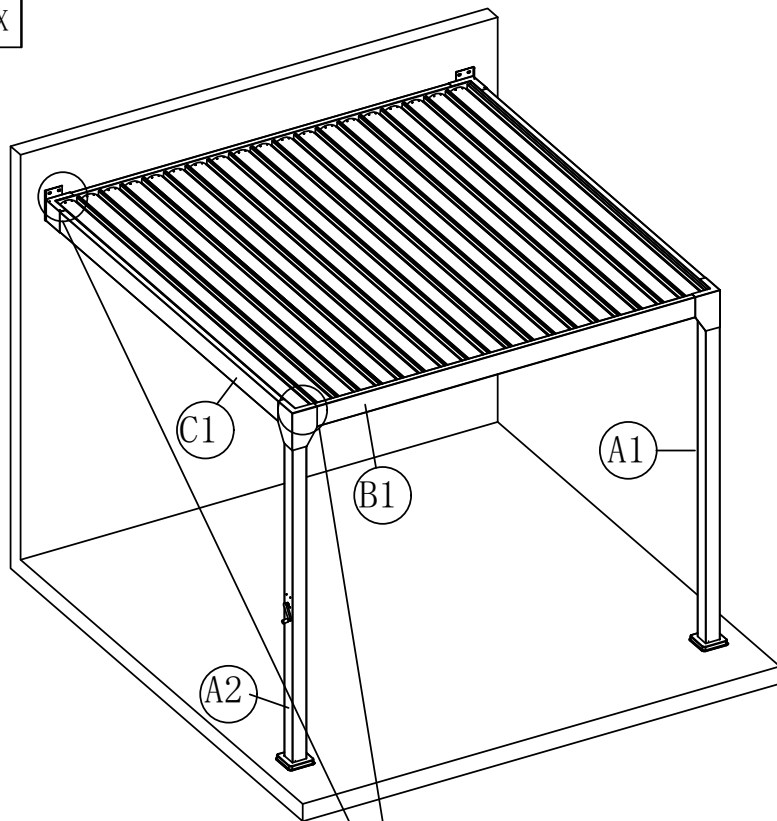
④		18X
⑥		M5*8 72X
⑧		M5 72X
⑪		2X


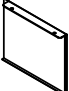
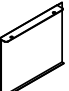



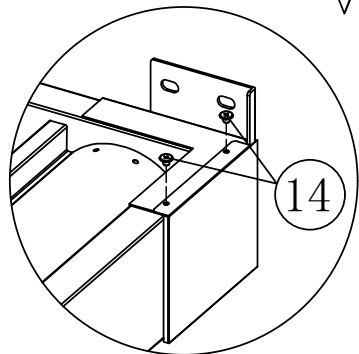
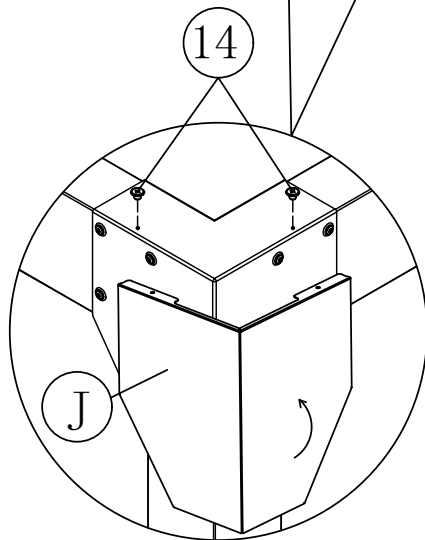
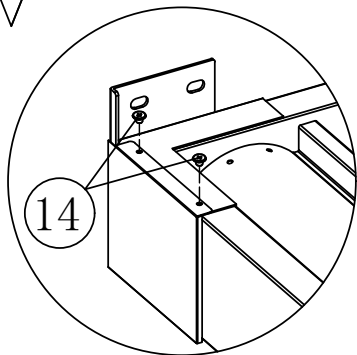
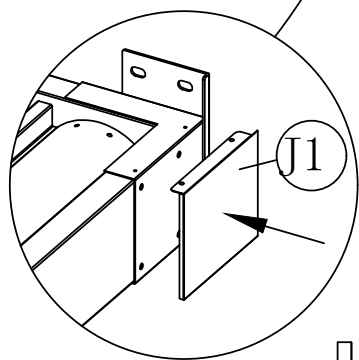
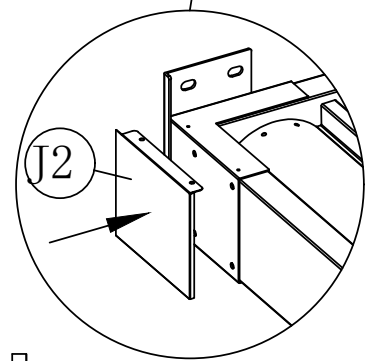
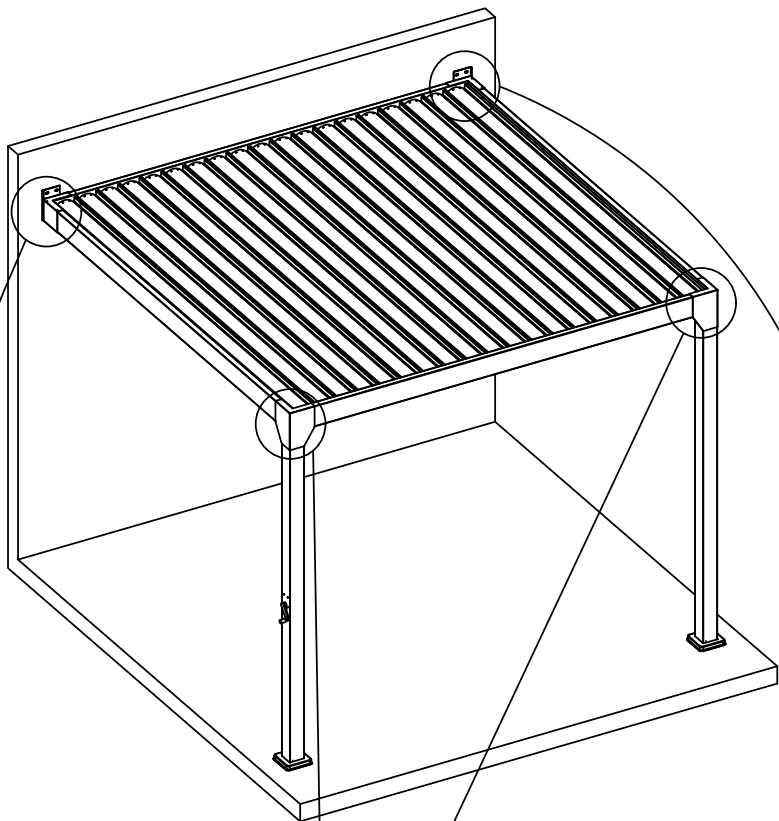
(D)		1X
(5)		4X M5*10
(8)		4X M5
(11)		2X



④		1X
⑥		4X M5*8
⑧		4X M5
⑪		2X



ⓐ		2X
ⓑ		1X
ⓒ		1X
ⓓ		8X



## USAGE INSTRUCTIONS

1. Facing the handle, rotate clockwise to close the top louvers ;
2. Facing the handle, rotate counterclockwise to open the top louvers.

