

Impressive warmth and ambience

Outdoor fires by Metro



 outdoor

Contents

850 Pizza Oven / Grill / Fireplace	2
1200 Braai / Barbecue / Fireplace	8
Accessories	16
Outdoor flue systems	18
850 Specifications	20
1200 Specifications	22



The best addition to Outdoor living

A fireplace is the heart of your outdoor space and the perfect centrepiece for getting together with friends and family. A well designed outdoor space allows you to enjoy outdoor living all year round, entertaining family and friends while enjoying the impressive warmth, ambience and cooking capabilities that a Metro Outdoor fire offers.

For us, all of the best times spent with family and friends are in front of a fire. Simply having a few drinks with good friends, or sitting fireside with the family toasting marshmallows.

Metro Outdoor fires are proudly designed and made in New Zealand using the highest quality materials. Solid Corten and stainless steel construction for high heat with high temperature satin black and zinc based coatings specially formulated for outdoor use.

Whether you want to cook, heat or simply enjoy the ambience, we have an outdoor fireplace for you.



Outdoor 850

Pizza Oven / Grill / Fireplace



The versatile Outdoor 850 delivers impressive heat and cooking capabilities. Sear food to perfection on the cooking grill, slide in the pizza stone and watch the mozzarella melt, or simply sit back and enjoy the radiant warmth and ambience.

The landscape window offers panoramic fireside views, safety during operation and the 'closed-door' firebox prevents any wind blown ash and smoke nuisance often found with open fronted fires.

Solid Corten steel firebox construction and firebrick lined for heat retention and durability. All fastenings are stainless steel for high heat with high temperature satin black and zinc based coatings specially formulated for outdoor use.

Choose either a freestanding or roof penetration flue system to suit your installation. Roof penetration flue kits are available for covered outdoor areas.





Roof penetration flue kit options are available for covered outdoor areas



1 Choose a freestanding flue system or roof penetration flue system to suit your installation

2 High temperature satin black and zinc based coatings formulated for outdoor use

3 Built-in firebox temperature gauge to indicate optimum cooking temperatures

4 Removable cooking grill and pizza stone. Lift in and out as needed with the grill lifter

5 Pedestal and trolley base options or design and build your own suitable base

6 Separate steel burn tray for easy cleaning and the tidy removal of ashes

7 Panoramic door glass for fireside views, safety during operation and impressive radiant heat output

8 Solid Corten steel firebox construction and firebrick lined for heat retention and durability

9 Generously sized radiant cooktop provides ample space for pots and pans for cooking on top of the fire



Outdoor 850-B

The 850-B is designed for installation onto a non-combustible plinth or benchtop to your desired design.

Includes:

- Outdoor 850 firebox
- Stainless steel firebox feet
- Cooking grill and pizza stone
- Cooking tool kit
- Freestanding flue system

Outdoor 850-BP



The Outdoor 850-B model with a roof penetration flue system to suit covered outdoor areas.



Outdoor 850-P

The 850-P features a solid Corten steel pedestal base with a large foot for secure placement and stability.

Includes:

- Outdoor 850 firebox
- Corten steel pedestal base
- Cooking grill and pizza stone
- Cooking tool kit
- Freestanding flue system

Outdoor 850-PP



The Outdoor 850-P model with a roof penetration flue system to suit covered outdoor areas.



Outdoor 850-T

The 850-T features a large volume trolley base for storage of firewood, cooking grill and pizza stone.

Includes:

- Outdoor 850 firebox
- Stainless steel trolley base
- Cooking grill and pizza stone
- Cooking tool kit
- Freestanding flue system

Outdoor 850-TP



The Outdoor 850-T model with a roof penetration flue system to suit covered outdoor areas.

Pizza perfection

All Outdoor 850 models feature a removable internal cooking grill and pizza stone with a built-in firebox temp gauge to indicate the optimum cooking temperatures.

Sear food directly over the flame grill or slide in the pizza stone and watch the mozzarella melt.

The cooking grill (with or without the pizza stone) can be lifted into the 850 using the grill lifter and is located to the right hand side of the firebox for ease of operation. After cooking, the grill and pizza stone are easily removed to reload the firebox and use as a fireplace only.

All 850 models include the following cooking accessories and tools:

- Internal cooking grill (400W x 320D)
- Pizza stone (380W x 300D)
- Pizza peel (stainless steel / aluminium)
- Ember rake (stainless steel / aluminium)
- Grill lifter (stainless steel / aluminium)
- Wall hanging bracket for tools





Cooking grill / Pizza stone

The cooking grill / pizza stone is easily lifted into the Outdoor 850 using the grill lifter. Locating tabs ensure secure placement within the firebox while the firebrick base provides even heat distribution for cooking.



Built-in temperature gauge

Consistent heat is important when cooking over fire and the 'closed firebox' works like an oven providing even heat throughout. Temperatures are easily monitored while cooking with the built-in thermostat.



Stainless steel cooking tool kit

850 cooking tools are constructed from quality stainless steel and aluminium for long lasting durability. A handy wall bracket provides tool storage right next to the fire. (see page 16)



Outdoor 1200

Braai / Barbecue / Fireplace

Summer is pretty much synonymous with barbecue and grilling and we'd have to argue that most food tastes better when cooked over flames.

The term Braai (pronounced bry') originates from the Afrikaans word braaivleis, meaning 'roasted or grilled meat'. A traditional braai is cooked over embers and the type of wood used can make a big difference to the smokey flavours produced.

All cooking grills and accessories are easily removed after cooking to use as a fireplace and keep your guests warm as the evening cools down.

The Outdoor 1200 is available in three configurations to suit your outdoor space and lifestyle. A simple installation onto a plinth base, a portable option with the stylish trolley base or a permanent setting into a custom made masonry enclosure.





- 1** Full stainless steel flue system and stainless steel fixings for high heat and durability
- 2** Finished in a high temperature zinc based coating specially formulated for outdoor use
- 3** Corten steel firebox and firebrick lined rear wall for heat retention and durability
- 4** Stainless steel side racks to support stainless steel cooking grills and cast iron cookplate.
- 5** Aluminium and stainless steel trolley base option with non marking braked castors
- 6** Built-in door rails for practical storage of the stainless steel door during operation
- 7** Separate burn tray contains the ember base for optimum heat and easy ash removal
- 8** Stainless steel ember maker for providing a continuous supply of embers for cooking
- 9** Corten steel gather finished in a zinc based coating formulated for outdoor use



Outdoor 1200

Suitable for installation onto a non combustible plinth or base to your desired design. Specifications and recommended dimensions for base design are detailed on page 22.

Includes:

- Outdoor 1200 firebox and gather
- Stainless steel door / cover
- Cooking accessories
- Freestanding flue system



Outdoor 1200 + trolley base

Complete with a powdercoated aluminium and stainless steel trolley base. Practical door and firewood storage with the flexibility to move the unit around your outdoor living area.

Includes:

- Outdoor 1200 firebox and gather
- Stainless and aluminium trolley
- Stainless steel door / cover
- Cooking accessories
- Freestanding flue system



Outdoor 1200 Insert

Designed for installation into a non combustible masonry structure. Features a specific Insert flue kit with optional flue extensions to suit the finished height of the structure.

Includes:

- Outdoor 1200 firebox
- Outdoor 1200 insert gather
- Stainless steel door / cover
- Cooking accessories
- Insert flue system

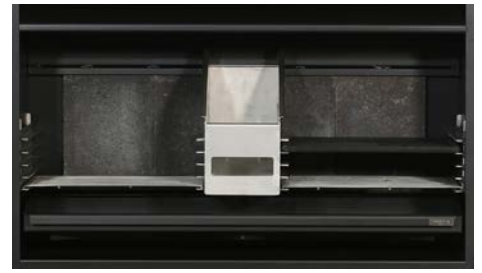


Built to perform

Solid Corten steel firebox and gather construction with a firebrick lined rear wall for heat retention and durability. All fastenings are stainless steel for high heat with the firebox and gather finished in a high temperature zinc based coating specially formulated for outdoor use.

A stainless steel door / cover protects the fire's interior when the appliance is not in operation. During operation, the door is easily removed and put aside. The trolley base features built-in door rails to slide the door beneath the trolley for convenient, practical storage.





Cooking setup (standard)

The ember maker is located in the centre of the Outdoor 1200 for cooking grills to be placed at each side. Grill heights are easily adjusted to suit so you can cook a range of different foods all at the same time.



Cooking setup (optional)

The ember maker can be moved to either side of the Outdoor 1200 for the optional large grill to be used. An additional support bracket is included with this grill which simply locates between the firebricks.



Outdoor fireplace

The side racks, ember maker and cooking grills are easily removed after cooking to use as a fireplace only. Wood stops are fitted to the front of the burn tray to safely contain the fuel load during operation.

Braai time

The Outdoor 1200 features an ember maker which is loaded with fuel to make fire starting quick and easy. As the embers break down in size, they fall through into the burn tray. Reloading the ember maker provides a continuous supply of hot embers which are then raked across beneath the cooking grills to provide the heat for cooking.

Side racks with various cooking heights allow you to organise the grills to have both direct and indirect grilling zones. Ideal for moving foods back and forth between zones, alternating between high-heat direct grilling and lower heat indirect grilling.

All 1200 models include the following cooking accessories and tools:

- Side racks x2 (stainless steel)
- Ember maker (stainless steel)
- Cooking grills x2 (stainless steel)
- Grill basket (stainless steel)
- Cast iron cooking plate
- Split leather fire mitts
- Ember tool / rake





A versatile exciting way to cook

The 1200 offers an incredibly versatile and exciting way to cook. The unique style of wood fired BBQ lets you cook a wide variety of foods and delivers mouth-watering smokey barbecue flavours.



Distinctive barbecue flavours

Enjoy the distinctive smokey barbecue flavour by grilling food directly over the embers. Grill heights are easily adjustable and the 1200 includes two cooking grills for use on both sides of the ember maker.



Seared to perfection

Cast iron's ability to absorb and retain heat makes it perfect for cooking on the Outdoor 1200. Plate height is easily adjustable to suit both high and low-temperature cooking directly above the ember base.

Accessories



Pizza stone

Quality cordierite pizza stone. High heat retention and distribution for perfectly cooked pizza bases. 380W x 300D (mm).



850 Cooking grill

Removable internal cooking grill. Brick base for heat retention and distribution. Lift in and out as required with the grill lifter tool.



850 Cooking tool kit

Pizza peel, ember rake, grill lifter and wall bracket for hanging tools. Stainless steel and aluminium construction for rust resistant quality.



Hardwood pizza paddle

Perfect for preparation and serving. The ergonomic handle provides a comfortable grip and hanging hole for easy storage. Oiled finish.



Stainless steel pizza cutter

Twin handle rocker design and super sharp blade. The easiest way to cut pizza without pushing toppings off like traditional roller cutters do.



Cast iron cooktop trivet

Use on the cooktop under pots, pans, roasting dishes and kettles. 200mm diameter with built-in feet elevate the trivet for even radiant heat.



850 Steel floor protector

Protect timber decking and combustible surfaces beneath your fire. Galvanised steel finished in zinc black paint. 1200W x 800D (mm).



850 All weather cover

Water and UV resistant breathable cover designed to protect your 850 from the elements. Hidden velcro fastenings keep the cover secure.



850 Accessory Pack

All you need for your Outdoor 850. Includes: Pizza paddle, pizza stone, pizza cutter, cooktop trivet, outdoor oven mitts and all weather cover.



1200 Side racks

Stainless steel side racks to support the cooking grills and cast iron plate. Easily removed after cooking to use the 1200 as a fireplace only.



1200 Ember maker

Heavy duty stainless steel ember maker for easy fire starting and a continuous supply of embers during the cooking process.



1200 Small cooking grills

Ideal for grilling a wide range of meats and vegetables. Stainless steel construction for rust resistant quality. 480W x 400D (mm).



Cooking grill basket

Easily turn food and move it around the firebox during cooking. Stainless steel for rust resistant quality. Basket dimensions 420W x 335D (mm).



1200 Cast iron cooking grill

Reversible cast iron plate with both ribbed and flat sides for cooking versatility. 475W x 390D (mm).



1200 Outdoor fire mitts

Protection when loading fuel and cooking. Manufactured from heavy-duty, fire resistant split leather.



1200 Ember tool

Designed for raking embers in the burn tray and stoking the ember maker. Stainless steel and aluminium construction for rust resistant quality.



1200 Pizza Pack

All you need for cooking pizza on the Outdoor 1200. Includes: Pizza frame with stone, pizza paddle, pizza cutter and stainless steel pizza peel.



1200 Large cooking grill

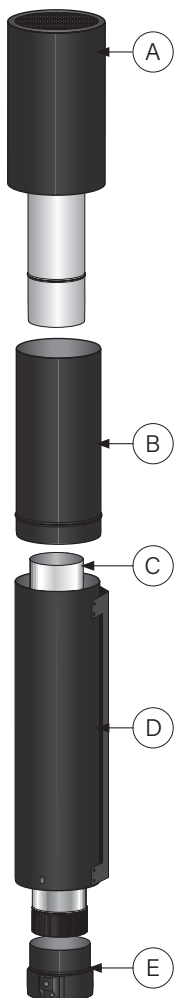
A large cooking grill including a central support bracket. Stainless steel construction for rust resistant quality. 955W x 400D (mm).

Outdoor flue systems

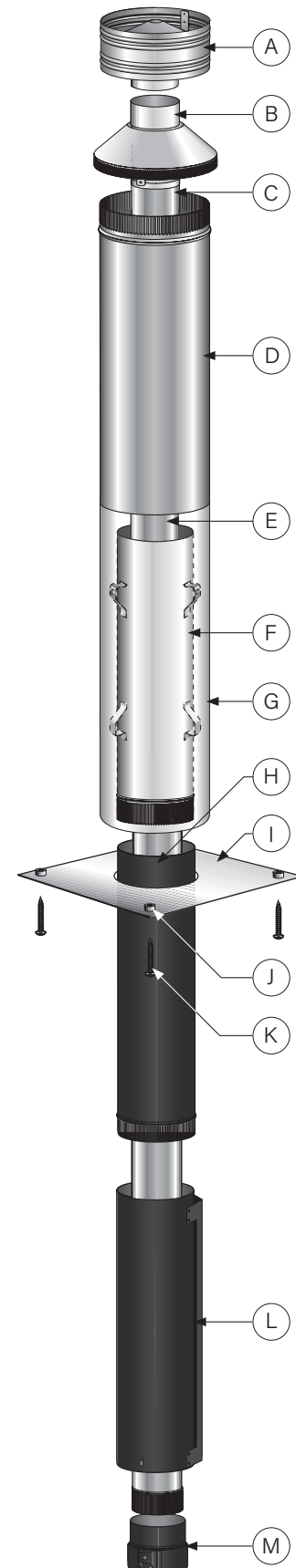
850 Freestanding flue kit

A	1 x stainless steel cowl housing (satin black finish)
B	1 x 685x200mm diameter stainless steel outer casing extension (satin black finish)
C	1 x 1200x150mm diameter stainless steel flue pipe
D	1 x 1200x200mm diameter stainless steel outer casing with flue shield (satin black finish)
E	1 x flue spigot adaptor

850 Freestanding flue kit



850 Roof penetration flue kit



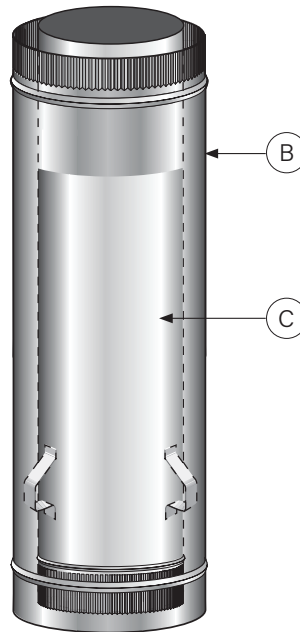
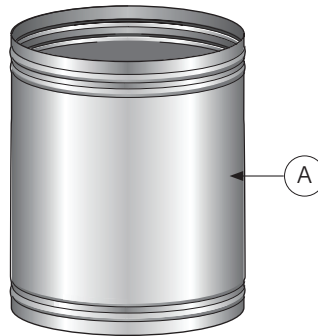
850 Roof penetration flue kit

A	1 x anti down-draught cowl
B	1 x combination bracket casing cover
C	1 x 1200x150mm diameter stainless steel flue pipe
D	1 x 1200x253mm diameter galvanised outer casing slip extension
E	2 x 1200x150mm diameter stainless steel flue pipe with spacer brackets
F	1 x 1200x200mm diameter galvanised inner casing with spacer brackets
G	1 x 1200x250mm diameter galvanised outer casing
H	1 x 1200x200mm diameter stainless steel upper outer casing (satin black finish)
I	1 x ceiling plate (500x500mm)
J	4 x ceramic spacers
K	4 x self tapping screws
L	1 x 1200x200mm diameter stainless steel outer casing with flue shield (satin black finish)
M	1 x flue spigot adaptor
+	1 x bag of assembly bolts

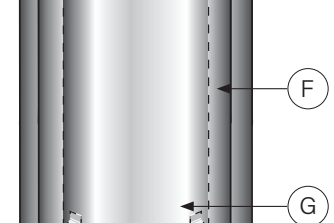
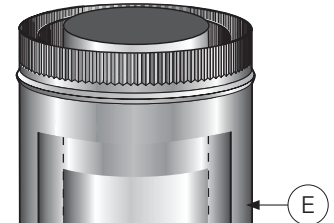
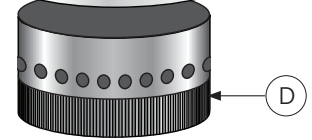
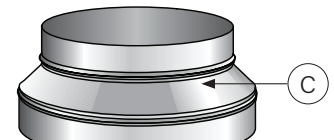
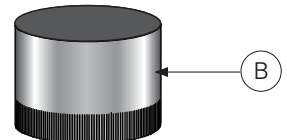
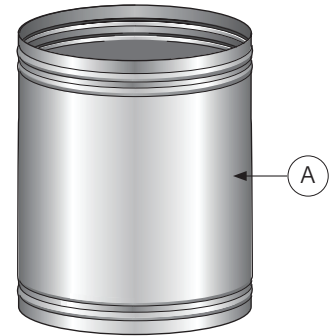
1200 Freestanding flue kit

A	1 x stainless steel pillar style cowl housing
B	1 x 400mm diameter x 1200mm stainless steel outer liner
C	1 x 350mm diameter x 1200mm stainless steel flue pipe
+	4 x M8x16 stainless steel dome head sockets, 4 x 8mm flat washers and 8 x 3.2mm stainless steel rivets

1200 Freestanding flue kit



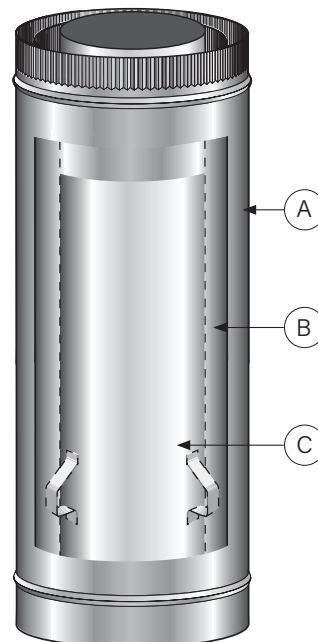
1200 Insert flue kit



1200 Insert flue kit

A	1 x stainless steel pillar style cowl housing
B	1 x 350mm diameter x 240mm flue pipe extension
C	1 x 500mm-400mm diameter liner converter
D	1 x 400mm diameter x 175mm vented liner
E	1 x 500mm diameter outer liner (plain end / crimped end)
F	1 x 400mm diameter x 1200mm stainless steel inner liner
G	1 x 350mm diameter x 1200mm stainless steel flue pipe
+	4 x M8x16 stainless steel dome head sockets 4 x 8mm flat washers 8 x 3.2mm stainless steel rivets

1200 Insert extension kit



1200 Insert extension kit

A	1 x 500mm diameter outer liner (plain end / crimped end)
B	1 x 400mm diameter x 1200mm stainless steel inner liner
C	1 x 350mm diameter x 1200mm stainless steel flue pipe

850 specifications

Installation clearances

The Outdoor 850 fires are for outdoor use only and cannot be installed inside your home. Confirm with your Metro stockist for the outdoor fire regulations in your local area.

Your Outdoor fire must be located on a non-combustible, stable, level surface and secured by fixing points located in the pedestal base plate or by locking the braked castors on the trolley once the fire is in place.

The Outdoor 850B model must be installed on a non-combustible plinth/bench which meets the requirements of AS/NZS 2918. The 850B must be fixed through the firebox into the plinth/bench using the Outdoor levelling feet provided.

All clearances detailed are measured from the following reference points as illustrated in the diagrams opposite:

- The nearest combustible wall or surface (A, B, D, E, G, H)
- The flue centre (A, B, C, D)
- The firebox / heatshield outermost point (E, F, G, H)
- The edge of the ash floor protectors non-combustible surface (C, F, I, J)

Floor protector requirements

Only install or use on a non-combustible floor protector to the minimum size detailed when placed onto a combustible surface e.g wooden deck. The Outdoor 850 steel floor protector complies with the minimum floor protector requirements of AS/NZS 2918 and can be installed with any Outdoor 850 model.

Installation (freestanding flue)

Installation clearances in the table below are to a combustible wall or fence to a maximum height of 950mm above the top of the appliance. The minimum clearance to any combustible object above the topmost point of the flue cowling is 3 metres with a 2 metre radius to any surrounding combustible material or object.

Before lighting your appliance, make sure your freestanding Outdoor 850 is located away from buildings, structures, vegetation, and any other combustible objects by the minimum clearances detailed.

DO NOT install any of the Outdoor 1200 models under a roof, verandah or the eaves of your home.

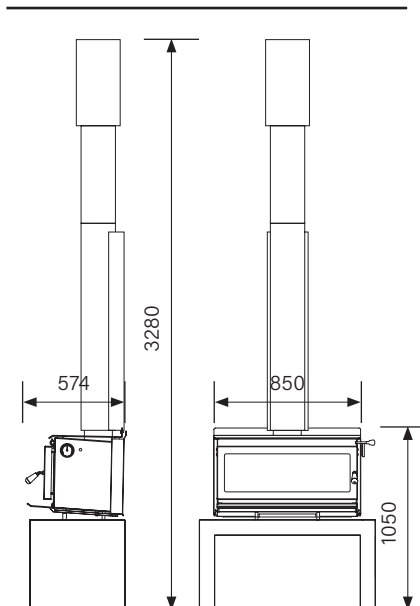
Installation (roof penetration flue)

The Metro Outdoor Roof Penetration flue system has been tested to and complies with AS/NZS 2918.

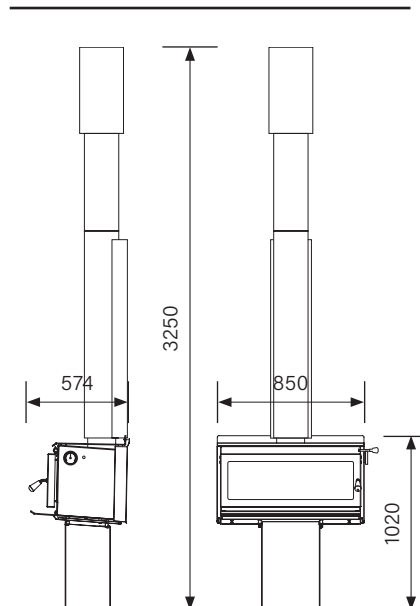
A minimum clearance of 1350mm above the appliance to the nearest combustible ceiling is required when installing the Outdoor 850 fire with the roof penetration flue system.

External structures and the proximity of other buildings will differ for every installation and some situations will require additional flue height to comply with AS/NZS 2918. Extension kits for both flue systems are available with minimum flue heights and safety clearances detailed opposite.

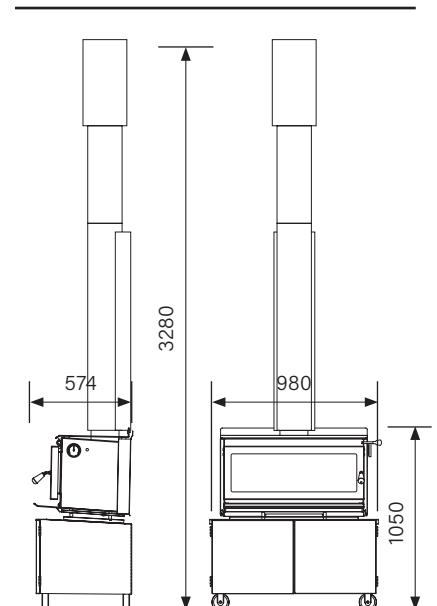
Outdoor 850B



Outdoor 850P



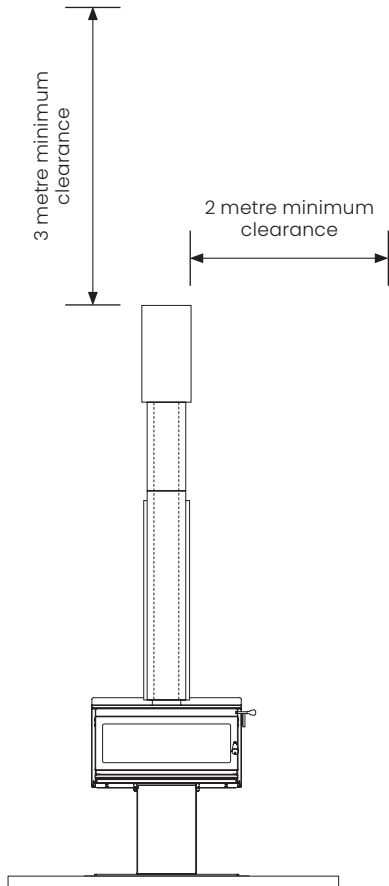
Outdoor 850T



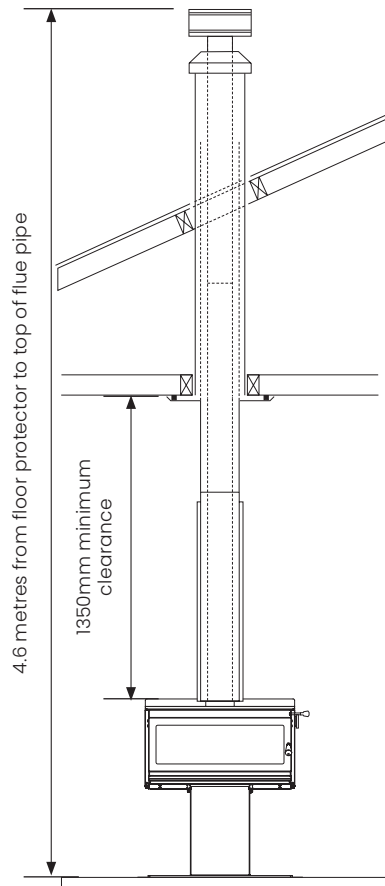
Installation clearances

A	B	C	D	E	F	G	H	I	J
311	1005	595	715	300	182	580	150	800	1200

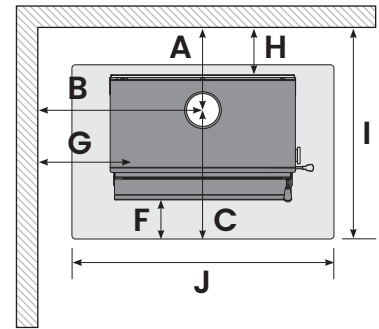
Freestanding flue kit



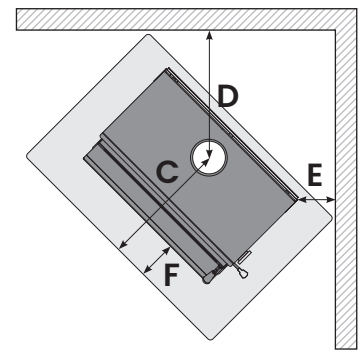
Roof penetration flue kit



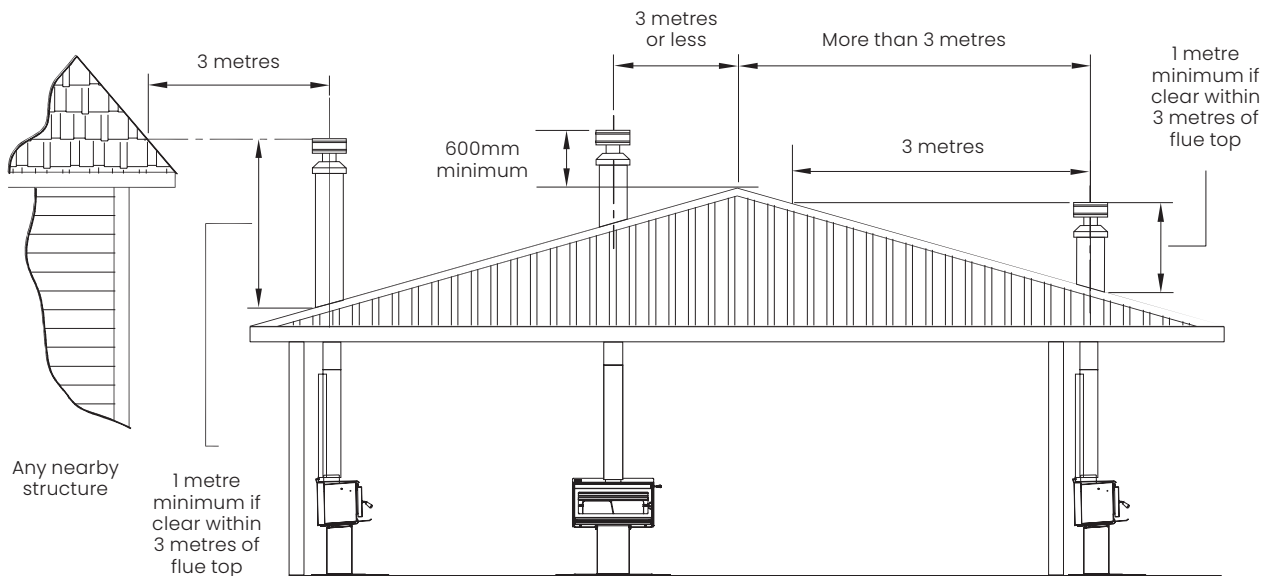
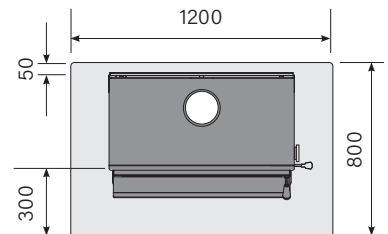
Wall installation



Corner installation



Floor protector



Specifications were correct at the time of printing but may alter and those detailed within should only be used as a guide. Full assembly and installation instructions are detailed in the Outdoor Installation manuals. If in doubt, please consult your local Metro stockist or visit metrofires.co.nz.

1200 specifications

Installation clearances

The Outdoor 1200 fires are for outdoor use only and cannot be installed inside your home. Confirm with your Metro stockist for the outdoor fire regulations in your local area.

All clearances are measured from the following reference points as illustrated in the diagrams on pages 23 and 24:

- The nearest combustible wall or surface (A, B, C, D)
- The firebox/enclosure outermost point (A, B, C, D)
- The edge of the floor protectors non-combustible surface (C)

When applying the minimum side clearance (B) to your installation, the adjacent combustible wall or surface must not project forward of the firebox opening.

Installation clearances in the table opposite are to a combustible wall or fence to a maximum height of 2400mm. A minimum clearance radius of 3m is required from the top of the flue cowl to any surrounding combustible material.

Installation

The Outdoor 1200 must be installed on a non combustible plinth or bench and secured by fixing points located in the base of the firebox or by locking the braked castors on the trolley once the fire is in place.

External structures and the proximity of other buildings will differ for every installation so before lighting your fire, make sure your Outdoor 1200 is located away from buildings, structures, vegetation, and any other combustible objects by the clearances detailed.

DO NOT install any of the Outdoor 1200 models under a roof, verandah or the eaves of your home.

Base / Plinth construction

Outdoor 1200

A recommended minimum base/plinth height of 735mm with a minimum depth of 530mm will allow the door to hang down below the fire during operation. The front of the base must finish flush with the front of the firebox to allow the door to hang down correctly.

Outdoor 1200 and Outdoor 1200 Insert

Alternatively, a base/plinth opening dimension of 1300mm wide with an internal depth of 750mm will allow you to fit rails inside the base to slide in the door beneath the fire.

Cavity construction

Outdoor 1200 Insert

The Outdoor 1200 Insert must be installed into a non-combustible enclosure (Hebel, solid concrete, concrete block, brick etc). The structure must be freestanding and completely free of any combustible material.

DO NOT install the Outdoor 1200 Insert onto a timber or combustible base or into a timber framed enclosure.

The base for the Outdoor Insert must be constructed with sufficient supports to bear the weight of fire, flue kit, chimney cap and total weight of the enclosure including the finishing material chosen (plaster, tile, stone etc).

The firebox must be recessed into the enclosure by a minimum distance of 25mm. All dimensions detailed are in millimetres (mm) and are the minimum and recommended dimensions for correct installation.

The enclosure must also be vented to the minimum requirements detailed. Venting will require suitable precautions to prevent rodents and debris from entering or restricting the air vents. If grilles are used, the minimum vent area must be maintained through the grille itself.

A minimum open unrestricted vent area of 5567mm² is required to provide airflow around the firebox and flue liners within the enclosure. These vents must be positioned in both side walls at a maximum height of 50mm above the base the firebox sits on (see page 24).

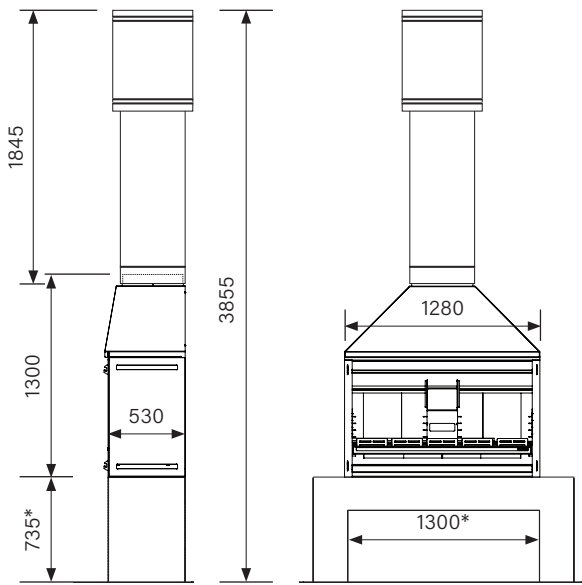
Floor protector requirements

A non-combustible floor protector is required if the installation is located over a combustible surface e.g wooden deck. Floor protector requirements depend upon the elevation of the Outdoor 1200 above ground level and the substrate beneath the installation.

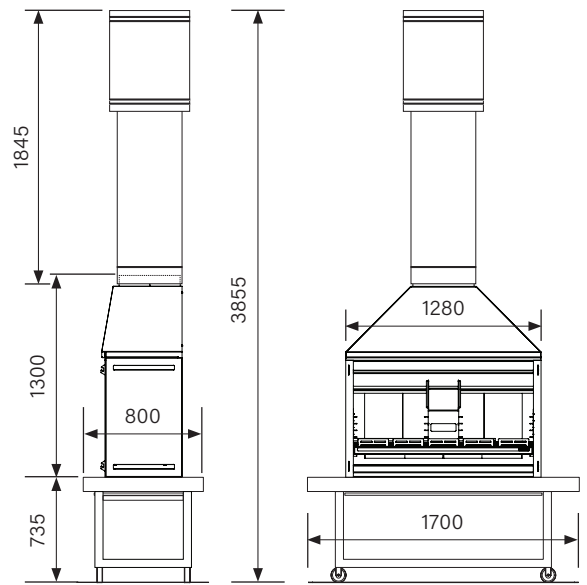
- Installation heights of 500mm or greater only require an ash floor protector which must extend a minimum overall depth of 500mm
- Installation heights below 500mm require the ground substrate to be completely non-combustible and must extend a minimum overall depth of 700mm

Minimum overall depth is the distance from the front of the firebox opening to the front point of the floor protectors non-combustible surface. All suitable floor protectors must be a minimum width of 1880mm.

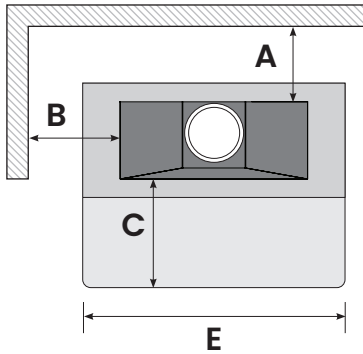
Outdoor 1200



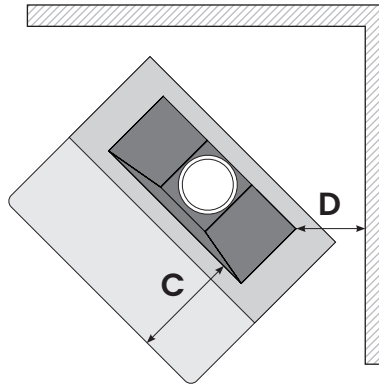
Outdoor 1200 (trolley base)



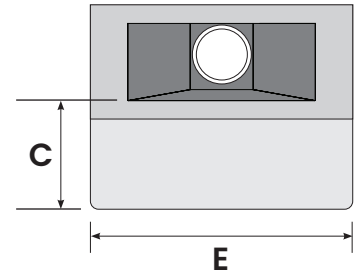
Wall installation



Corner installation



Floor protector



Minimum installation clearances					Firebox / Gather		
A	B	C	D	E	WIDTH	DEPTH	HEIGHT
250	500	500/700	250	1880	1280	530	1300

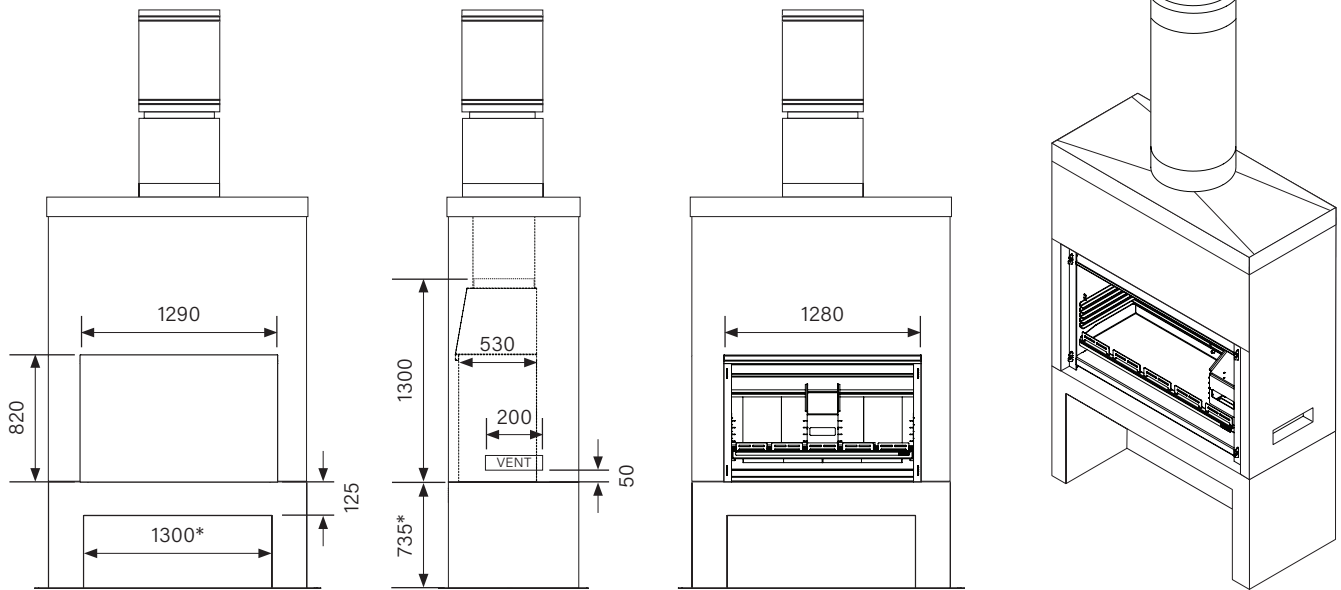
Base / Plinth (recommended)					Trolley base		
MINIMUM THICKNESS	MINIMUM DEPTH	MINIMUM HEIGHT	INTERNAL WIDTH	INTERNAL DEPTH	WIDTH	DEPTH	HEIGHT
125	530	735*	1300*	750*	1700	800	735

* Minimum and recommended base/plinth dimensions are to suit storage of the stainless steel door/cover during operation of the Outdoor 1200.

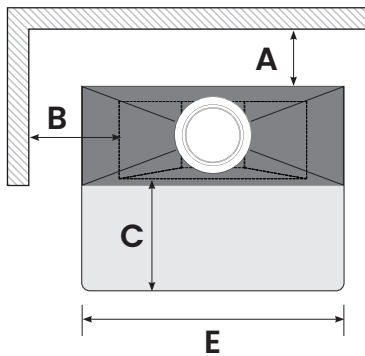
Specifications were correct at the time of printing but may alter and those detailed within should only be used as a guide. Full assembly and installation instructions are detailed in the Outdoor Installation manuals. If in doubt, please consult your local Metro stockist or visit metrofires.co.nz.

1200 specifications

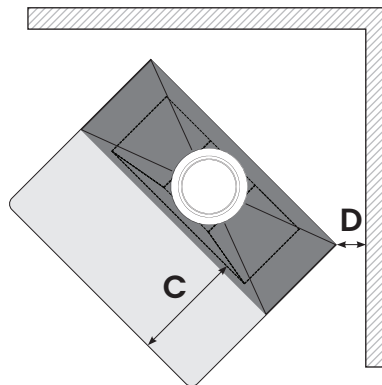
Outdoor 1200 Insert



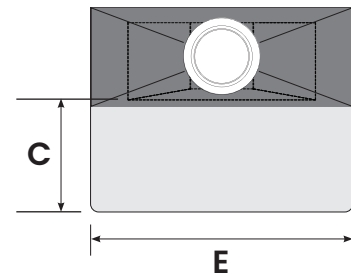
Wall installation



Corner installation



Floor protector



Minimum installation clearances					Firebox / Gather		
A	B	C	D	E	WIDTH	DEPTH	HEIGHT
150	500	500/700	150	1880	1280	530	1300

Base / Plinth (recommended)					Cavity dimensions		
MINIMUM THICKNESS	MINIMUM DEPTH	MINIMUM HEIGHT	INTERNAL WIDTH	INTERNAL DEPTH	WIDTH	DEPTH	HEIGHT
125	530	735*	1300*	750*	1290	600	820

* Minimum and recommended base/plinth dimensions are to suit storage of the stainless steel door/cover during operation of the Outdoor 1200.

Specifications were correct at the time of printing but may alter and those detailed within should only be used as a guide. Full assembly and installation instructions are detailed in the Outdoor Installation manuals. If in doubt, please consult your local Metro stockist or visit metrofires.co.nz.



Outdoor



LOVE
WOOD
RENEWABLE ENERGY

metrofires

ULTRA  FIRES

 outdoor



www.metrofires.co.nz
info@metrofires.co.nz
facebook.com/metrofires