



**850
FIRE**

OUTDOOR 850-B

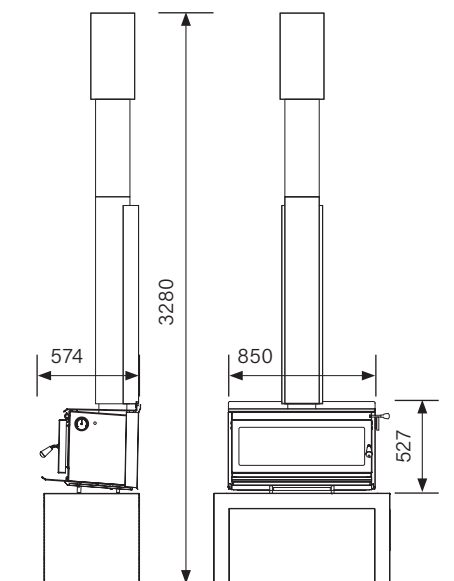
SKU 280-0720

Outdoor 850-B (base model + freestanding flue kit)

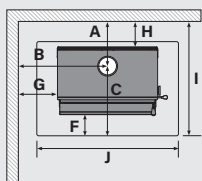
Warmth the way you want it. The 850-B is perfect for when you want to customise your outdoor setup, with stainless steel levelling feet allowing the 850-B to be installed onto any non combustible custom plinth or benchtop designed to suit your home. The panoramic door glass offers mesmerising fireside views, safety, and eliminates wind blown ash and smoke for your comfort. Whether cooking for family and friends or simply gathering around the flames, the closed-door, brick lined 850-B delivers impressive radiant heat to your outdoor living area day or night.

PACKAGE INCLUDES:

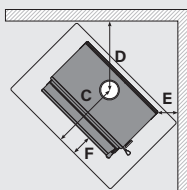
- 850 firebox, levelling feet and freestanding flue kit
- Internal cooking grill and pizza stone (lift in and out of firebox)
- Pizza peel, fire rake, grill lifter and wall hanging bracket for tools



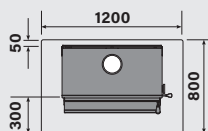
Wall clearances



Corner clearances



Floor protector



Minimum installation clearances with the Outdoor 850 flue kit (mm)

	A	B	C	D	E	F	G	H	I	J
	311	1005	595	715	300	182	580	150	800	1200
Model	Width		Depth				Height			
Dimensions	850mm		574mm				527mm			

Full assembly and installation instructions are detailed in the Outdoor 850 Installation manuals. If in doubt, please consult your local Metro stockist or visit metrofires.co.nz. Specifications were correct at the time of printing but may alter and those detailed within should only be used as a guide.



metrofires
metrofires.co.nz

