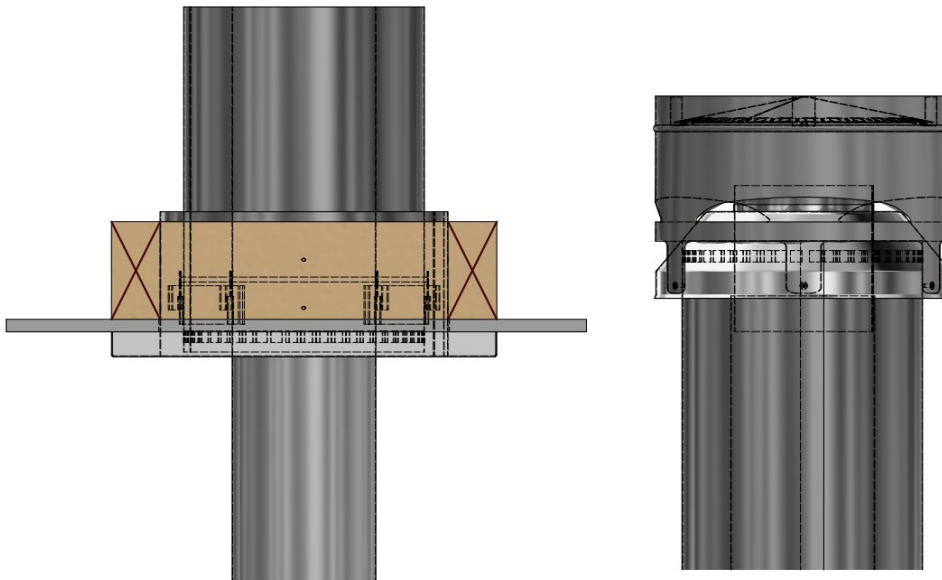


# HeatSaver Flue Kit Installation Instructions For Solid Fuel Appliances



The installation of any Woodsman solid fuel burner requires a Building Consent prior to installation commencing. We recommend the installation of a Woodsman solid fuel burner or flue system be undertaken by the holder of a current SFAIT (Solid Fuel Appliance Installation Technician) qualification issued by the NZHHA (NZ Home Heating Association Inc.).  
[www.nzhha.co.nz](http://www.nzhha.co.nz)

**KEEP THESE INSTRUCTIONS FOR FUTURE REFERENCE**

Proudly Manufactured By:

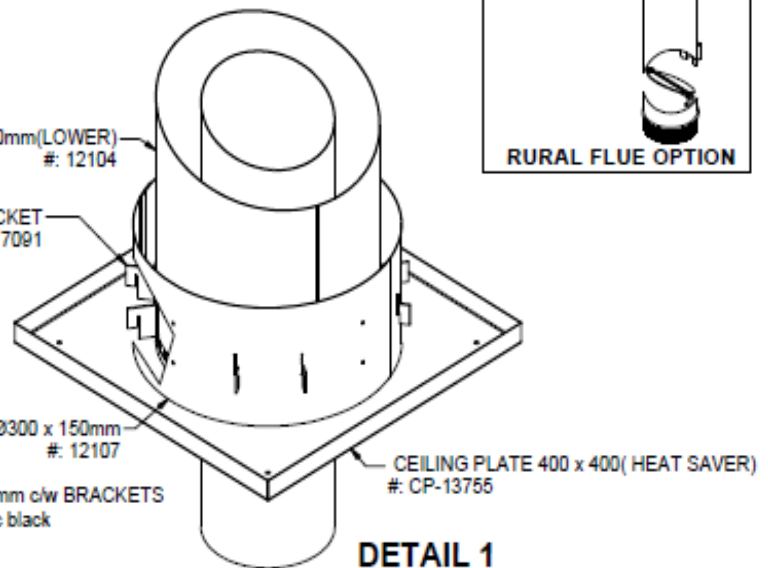
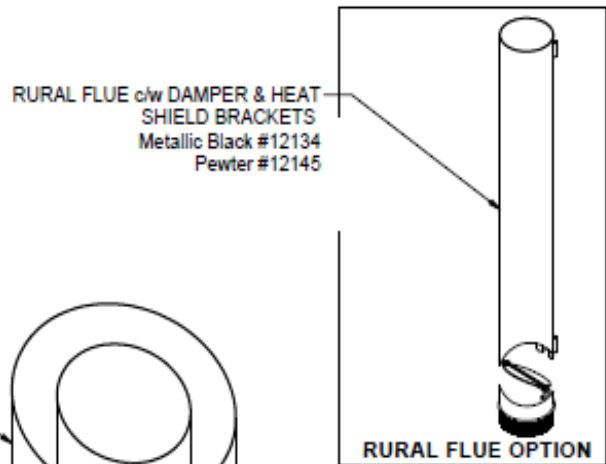
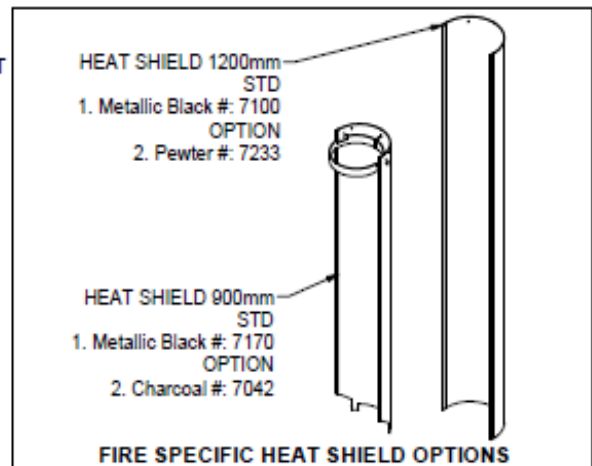
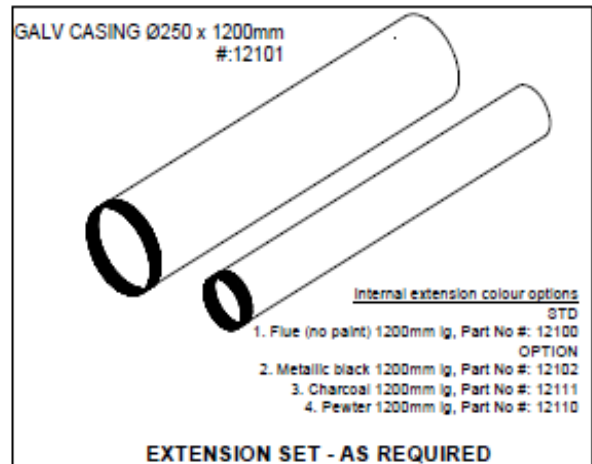
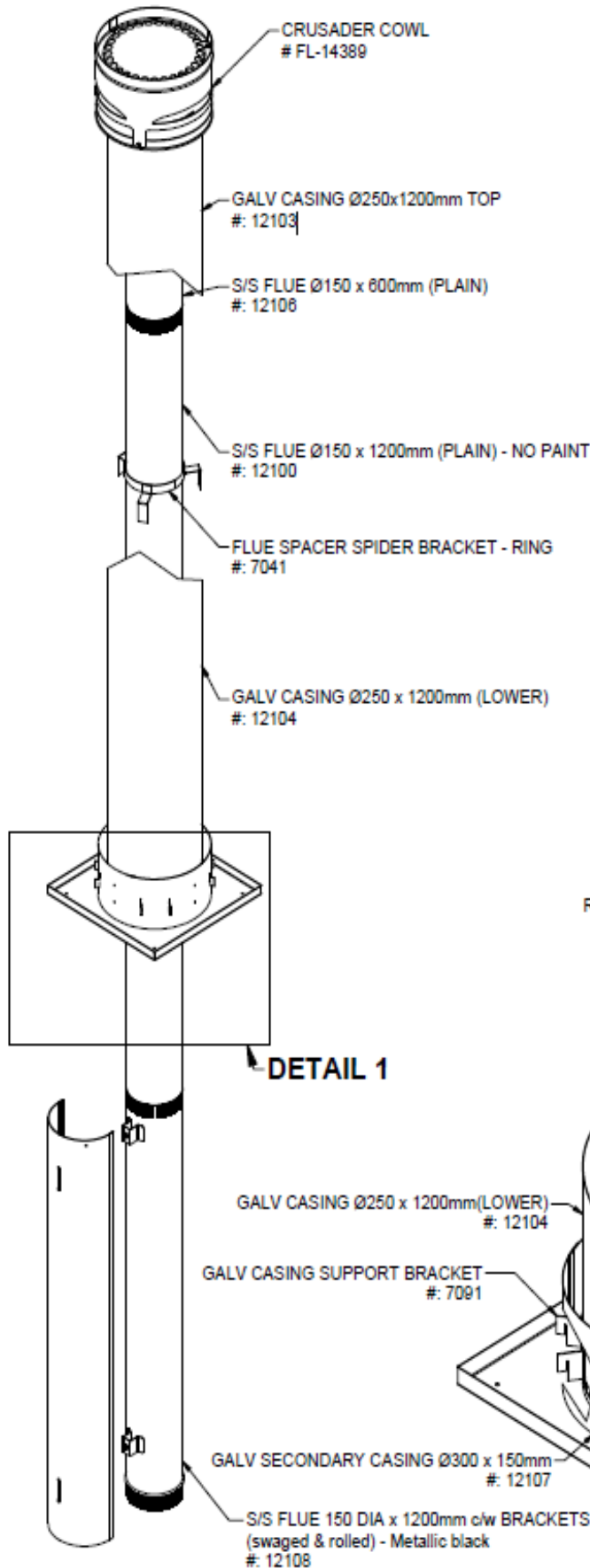


Harris Home Fires  
41 Braddon St  
Addington  
Christchurch 8024  
New Zealand  
Email [sales@hhf.co.nz](mailto:sales@hhf.co.nz)

P O Box 4043  
Christchurch 8140  
New Zealand

**Phone** 03 366 1796  
**Freephone** 0800 3661796  
**Fax** 03 366 1795

# HEAT SAVER II FLUE KIT



# INSTALLATION INSTRUCTIONS

- This HeatSaver flue system is tested and certified to AS/NZS 2918:2001 Appendix F, which means it is approved for use on all solid fuel appliances with a flue diameter of 150mm.
- A copy of the Laboratory Test Certificate for this HeatSaver Flue System is included as part of these Installation Instructions, (refer to paperwork with flue kit).
- Installation of any solid fuel appliance should only be carried out by suitably trained and qualified personnel.
- Position the stove to the desired position, always ensuring that the manufacturer's minimum clearances to combustibles are complied with.
- Check that there are no roofline ridges or valleys in the way, or if they cannot be avoided, that the installer knows how to weatherproof the penetration and reinstate the full strength of the structure.
- At the ceiling level, construct a square frame of 300mm x 300mm internal dimensions and cut away the ceiling materials from the inside of this frame.
- Lower the 300mm flue pipe casing into this frame and nail in place when the bottom edge is 25mm below the ceiling level and the 8 nail holes provided are touching the timber frame.
- Check all 4 locating brackets are securely in place and drop 250mm diameter lower casing in place. This will naturally settle so it protrudes 25mm below the ceiling.
- Make roof penetration, assemble and fit required flue length and install with upper casing. Secure all joints with at least 3 stainless steel rivets or self tapping screws.
- Frame and brace upper installation as required and flash the roof to shield penetration.
- Fit ceiling plate to ceiling.
- When trimming the stainless steel flue length, ensure the flue is flush with the casing at the top. If it is higher than the casing, the cowl can not be fitted correctly.
- Fix the bottom section of the HeatSaver Columbia Cowl in place and ensure that it is firmly down on top of the casing. Then attach top section by bending tab away from the shaft to allow the top section to slide down onto the washer. Bend tab back in place once done. Do not over bend tab so that it touched the shaft. See page 6
- Secure the flue to the fire, drill through flue neck on fire and secure with 2 to 3 s/s screws or rivets.
- **All flue joints should be sealed using a flue cement. (see page 4)**

## **IMPORTANT**

### **All Flue Joints Are Required To Be Sealed Using Flue Cement**

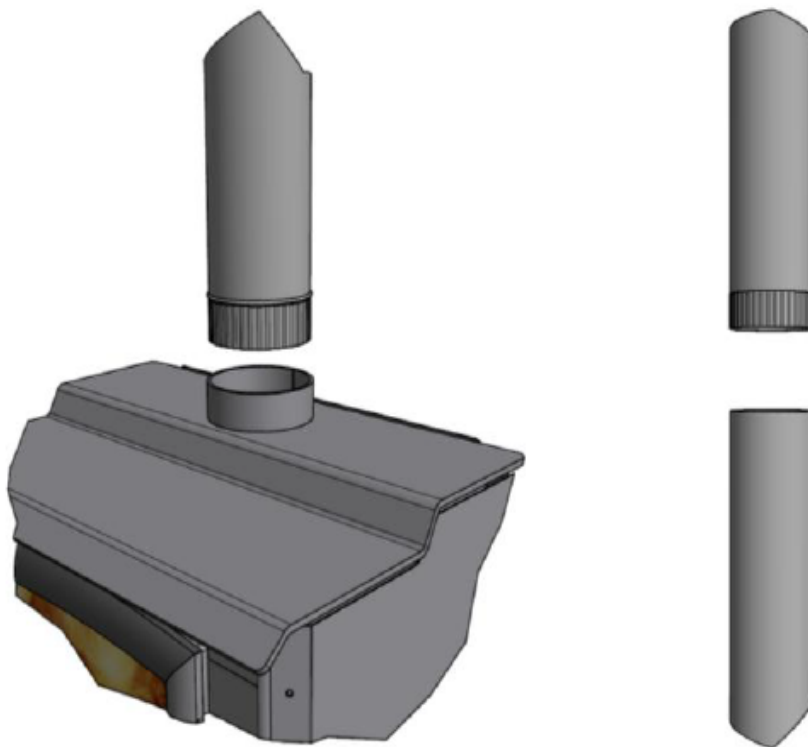
It is extremely important that ALL flue joints are sealed at the time of installation using flue cement or a suitable exhaust cement.

Woodsman fires are designed and tested with all flue joints sealed.

If flue joints are not sealed properly, it can lead to performance issues with the fire such as;

- Lower heat output of the fire, due to decreased performance
- Blocked flue
- Smoke coming out the door when open, due to decreased suction
- Hard to light

The formation of soot and creosote will not seal the flues, especially on the lower lengths, as the high temperatures inhibit its formation.



Any issues that arise as a result of the flues not being sealed, are not covered by the warranty and are not the responsibility of the manufacturer.

It is the installer's responsibility to ensure that this is done at the time of installation.

# Fitting Factory Flue Shields

Your HeatSaver Flue System comes standard with a factory flue shield of one of 2 types;

- **900mm high**, contains 1 x painted metal strap. This is used for the Woodsman ECR, Blaze, Boston, Manhattan, RMF and Milford.
- **1200mm high**, This is suitable for the Woodsman Brunner, Tasman, Aspen, Taras, Strongman and other branded fires which can use 1200mm high single heat shields.

## Fitting the 900mm High Flue Shield

1. The heat shield has 2 'tabs' at the bottom which corresponds to 2 slots on the fire behind the flue neck. Insert the tabs.
2. Take the metal strap and fold the two ends around the flue until they meet at the back of the flue at about the height of the top of the heat shield.
3. Hold both ends together and push the tabs through the single slot at the back of the heat shield and fold out tabs to secure in place.

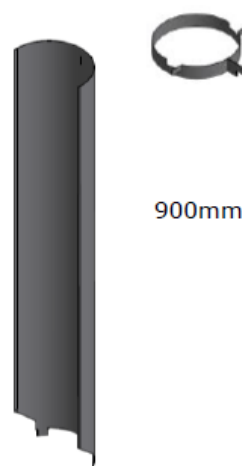
## Fitting the 1200mm high heat shield

Your lower length of painted flue already has 2 location brackets attached.

1. Ensure these brackets are facing towards the back wall and centralised.
2. Secure the flue shield in place with screws



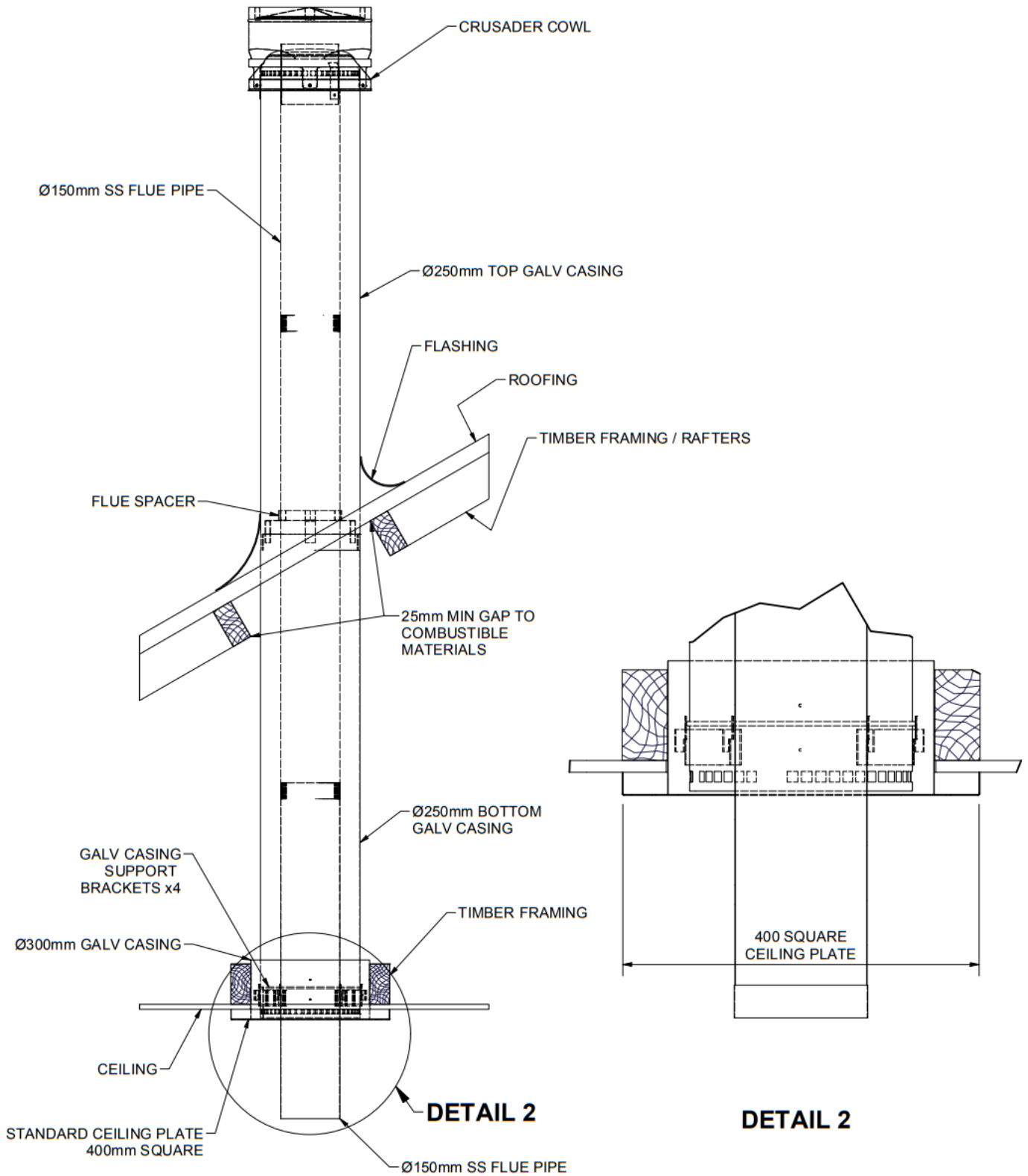
1200mm Flue Shield



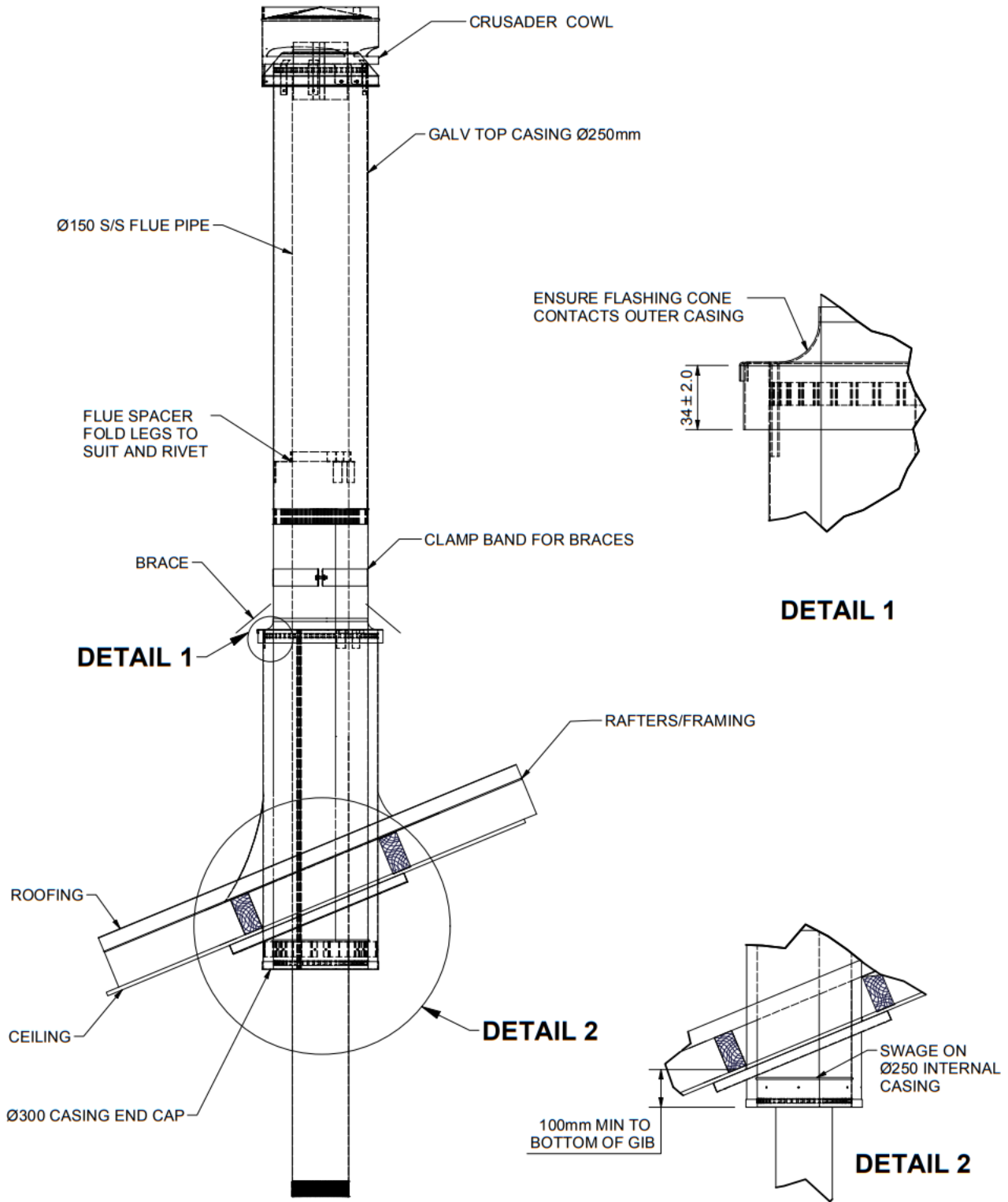
900mm Flue Shield

**\*IMPORTANT - Flue shields should be no further than 10mm off the top of the fire box\***

# Standard Ceiling



# No Cavity (Requires Sloping Ceiling Kit)



Report 09/1943

January 27th, 2009

Page 1/1

Customer: W.H. Harris Ltd.  
41 Braddon St.  
P.O. Box 4043  
CHRISTCHURCH

P701/1

COPY

Accreditation

Laboratory Registration Number 395

This laboratory is accredited by International Accreditation New Zealand (IANZ). The tests reported herein have been performed in accordance with the terms of our accreditation. This accreditation does not extend to any opinions or any interpretations of test results contained in this report.



IANZ has a Mutual Recognition Arrangement (MRA) with the National Association of Testing Authorities (NATA), Australia, such that both organizations recognize accreditations by IANZ and NATA as being equivalent. Users of test reports are recommended to accept test reports in the name of either accrediting body.

Compliance Certificate

**Appliance:** HeatSaver 150 mm Diameter Flue Kit

**Test Standard:** AS/NZS2918:2001 Appendix F

**Full Report:** 02/749R

(The full report contains the information on the test methods, details of the appliance tested and the results of the test)

**This report:**

Prepared by: W. S. Webley

W.S. Webley

Approved by: W. S. Webley

W.S. Webley

Release Date:

2/3/09

This report must not be reproduced except in full. Results are based on material and information supplied by the client. Applied Research Services Ltd shall not be liable in respect of any loss or damage (including consequential loss or damage) resulting from the use of reports prepared by them. Results issued in electronic form are subject to confirmation by issue of final report.