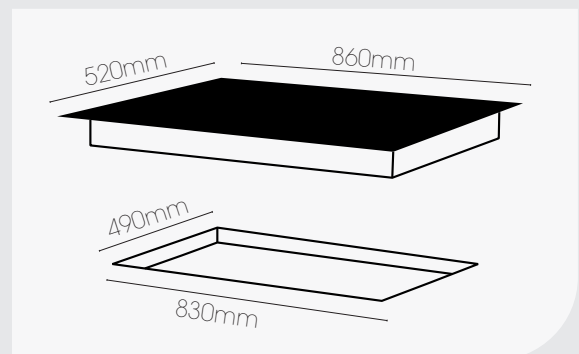
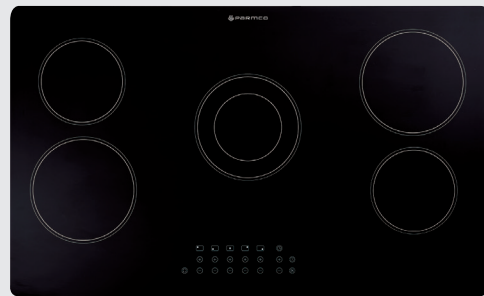


# Our latest addition. Inspiring designs for New Zealand Kitchens.

## 900MM CERAMIC HOB FRAMELESS TOUCH CONTROL HX-2-9NF-CER-T

- Ceramic Hob
- 9 Power Settings
- Touch Control
- 6 Heating Zones
- Easy Clean Surface
- Timer • Child Lock
- Excessive Heat Protection
- Heat Indicators
- 32A Electrical Outlet



### Impressive 7 Year Warranty

Note: 7 year warranty is for domestic use only.  
For more information visit [www.parmco.co.nz](http://www.parmco.co.nz)

### AVAILABLE NOW

Ask your local Parmco representative for pricing.

# PARMCO

Inspiring kitchens, entertaining homes