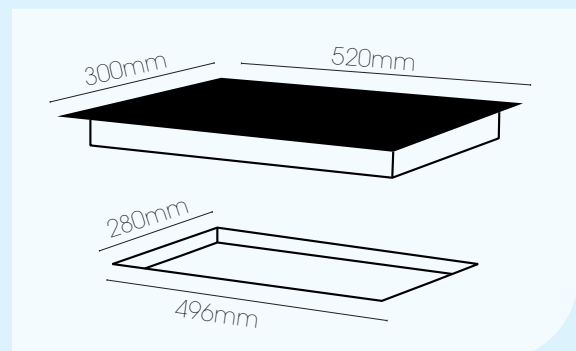
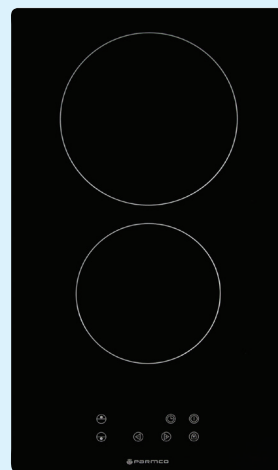


# Our latest addition. Inspiring designs for New Zealand Kitchens.

## 300MM CERAMIC DOMINO TOUCH HOB HX-2-2NF-CER-T

- Ceramic Hob
- Touch Control
- 2 Heat Zones
- Easy Clean Surface
- Non beveled edges
- 15A Electrical Outlet



### Impressive 7 Year Warranty

Note: 7 year warranty is for domestic use only.  
For more information visit [www.parmco.co.nz](http://www.parmco.co.nz)

### AVAILABLE NOW

Ask your local Parmco representative for pricing.

# PARMCO

Inspiring kitchens, entertaining homes