



Installation and Operating Instructions

Model:

DD6G1000

DD9G1000

As part of Parmco Appliances commitment to improving and updating product ranges, we reserve the right to alter, change and update technical specifications and appearance attributes of all Parmco Appliances products. E&OE

V20251202

PARMCO

Inspiring kitchens, entertaining homes

p: 09 573 5678
f: 09 573 5699
e: sales@parmco.co.nz
w: www.parmco.co.nz

Parmco Appliances extended 7 year warranty



The Warranty:

- This appliance is intended for domestic use in the owners' home. Use of the appliance for commercial purposes will limit the warranty period (please see Parmco website for commercial details).
- Subject to the terms and conditions contained within this warranty, if the product is not of Acceptable Quality (as defined in the Consumer Guarantees Act) within 7 years of the date of original purchase, then Parmco Sales undertakes to repair or, at its sole discretion, replace the product.
- The warranty does not cover the costs of transport, mileage or travelling time if the product is located beyond 30km of a recognised Service Agent.
- This warranty is offered as an extra benefit, and does not affect other legal rights, which can not be modified or excluded by agreement.
- This warranty only applies to goods supplied and installed in the North and South Islands of New Zealand.
- The provisions of this warranty are in addition to the rights and remedies available to consumers under the Consumer Guarantees Act 1993.

The Warranty is not valid:

- If the product is not installed and operated in accordance with the operating instructions.
- If the product is not installed to comply with the electrical, gas, plumbing and other Regulations and Codes of Practice in New Zealand.
- If the product is operated on voltages or frequencies outside the normal range for domestic appliances in New Zealand.
- If the product is not used in normal domestic use, or if it is used in a business as defined in the Consumer Guarantees Act.
- If any serial number has been removed or defaced.
- If proof of date of purchase is not supplied, except at the sole discretion of Parmco Sales. Proof of purchase can be for the product itself, or if installed with a kitchen or house then proof of purchase can be from a Parmco reseller of products supplied by Parmco.
- If the products are purchased in a second hand condition from other parties (including but not limited to TradeMe, Sella, etc.)

Liability under this warranty will not be accepted for:

- Wear and tear caused by normal domestic use of the product.
- Damage in transport.
- Damage caused to the product by neglect, abuse, negligence, wilful act or misuse.
- Any costs associated with the repair, replacement, removal or reinstallation of products installed in a damaged condition.
- Any defect caused by accident, misuse, neglect, tampering with or unauthorised modifications of the appliance or any attempt at internal adjustment or repair by any person other than an Authorised Service Agent.
- Service calls that relate principally to the following:
 - Instruction on how to use the product.
 - Repair or replacement of house fuses, electrical wiring, gas fitting or plumbing.
 - Normal or scheduled maintenance including blocked filters or ducting.
 - Consumable items such as light bulbs.
 - Any damage to hobs caused by spills when cooking.
 - Any breakage or damage of glass items.
 - Any damage caused by non recommended product used for cleaning, maintaining, lubricating or similar.
- Any aspect relating to the installation of the product, or damage caused during installation including blocked access for repair.
- Any third party (including reseller) or consequential loss or damage (direct or indirect) however arising.

Product _____ Date of purchase _____
Serial Number _____
Dealer / Retailers Name _____

Please retain this Warranty card together with receipt or other proof of purchase date when seeking service during the warranty period

Please contact Parmco at 09 573 5678 if your appliance needs servicing under warranty. Please have your model number and proof of purchase ready. Warranty repairs must be authorized by Parmco.

Subject to updates without prior notice, please visit www.parmco.co.nz for the latest version.

E & O.E. 727626062017

100%
NZ OWNED
& OPERATED

EST. 1989

Dear Valued Customer,

Thank you and congratulations on purchasing your new Parmco appliance.

All Parmco products are made to the highest quality and design standards. We are sure you will enjoy your new appliance.

As a note, please read through these instructions carefully. These will assist you in gaining a complete understanding of the functions and features offered by your appliance. Please take special note of all detailed technical information and installation instructions. It is essential that you follow these instructions to ensure the safety and reliability of this appliance.

Furthermore, not using appropriate personnel to install this appliance may affect any future warranty claims lodged, so please check with Parmco Appliances before any installation is carried out.

We hope you enjoy your new appliance. If you would like to find out more about this product or any other products in Parmco's extensive range, visit us online at www.parmco.co.nz.

Regards,

The Parmco Team

P A R M C O

Inspiring kitchens, entertaining homes

Content

- SAFETY INSTRUCTIONS1
- FEATURES1
- INSTALLATION (VENT OUTSIDE)2
- REMOTE MOUNTING INSTRUCTIONS3
- LAMP REPLACEMENT4
- MAINTENANCE6
- OPERATING INSTRUCTIONS7
- TECHNICAL DATA12
- TROUBLESHOOTING13

SAFETY INSTRUCTIONS

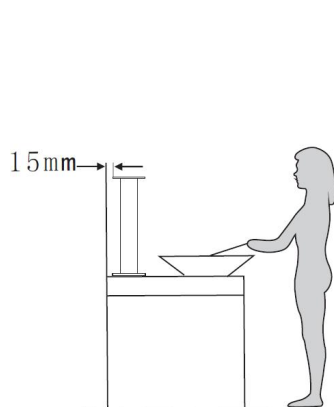
- This appliance is designed for non-commercial, household use only and must not be altered in any way.
- This appliance can only be used safely when it is correctly connected to an efficient earthing system in compliance with New Zealand Electrical Standards requirements.
- Before maintenance or cleaning always ensure that the appliance is disconnected from the mains.
- Packaging items such as plastic bags, polystyrene, nails etc that this appliance is delivered in are potentially dangerous, and therefore appropriate measure must be taken to
- Prevent children from coming into contact with them.
- This appliance must only be used by adults. Make sure that children do not touch the controls or play with the appliance. Young children should be supervised to ensure they do not play with the appliance.
- This appliance is not intended for use by persons (including children) with reduced physical, sensory, or mental capabilities, or lack of experience and knowledge, unless they have been given supervision or instruction concerning the use of this appliance by a person responsible for their safety.
- The exposed parts of this appliance heat up during the cooking process and remain hot for some time afterwards, even after it has been switched off. Keep children well away during operation and while the unit is cooling down.
- Keep the appliance thoroughly cleaned. Residues may cause fire risks.
- DO NOT use a steam cleaner to clean this appliance.
- Avoid improper or dangerous use of this appliance.
- Do not obstruct the ventilation or heat dissipation slots.
- This appliance is intended for indoor use only. Avoid exposing the appliance to atmospheric elements such as direct sunlight and rain.
- If the supply cord is damaged, it must be replaced by the a service agent or a similarly qualified person.

FEATURES

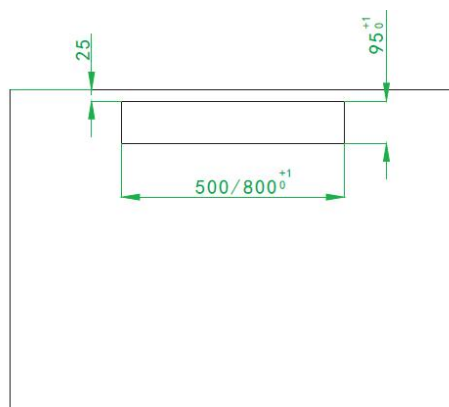
- Your canopy has been constructed using high quality materials.
- Your canopy is fitted with a powerful centrifugal fan and is equipped with a low noise electric motor.
- Your canopy produces strong suction to rapidly ventilate your kitchen environment and each model contains aluminium mesh filters designed to trap grease from the air as it is removed from your kitchen.
- Depending on the model you have purchased you will enjoy either incandescent, halogen or LED lighting from your appliance.

INSTALLATION (VENT OUTSIDE)

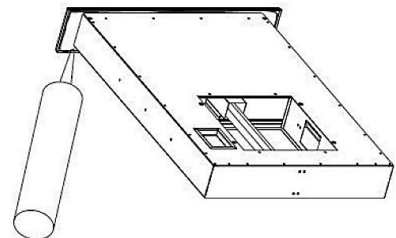
1. For best results, the downdraft should be placed at a minimum distance of 15mm from the wall (Refer Pic 1).
2. To ensure there is no water ingress, apply moderate silicon on the edge of the panel bottom (Refer Pic 3), and then insert the downdraft into the hole of the cabinet, 25mm distance between the hole and the wall, 500 mm or 800mm width depending on your downdraft model and 95mm depth (Refer Pic 2). Use 4 screws ST4*8, then screw ST4*14 and mount the bracket to fix the downdraft (Refer Pic 4).
3. Attach the motor to the main downdraft using the 8 supplied screws M10*10, ensuring the ducting directions are according to the space available in the cabinet. The possible directions of the ducting can be up, down, left, or right and can be selected by the user according to the space of the cabinet (Refer Pic 5).
4. Fix the ducting on the outlet, and use 4 screws ST4*14 to fix the PCB box, connect the power and finish the installation (See Pic 7).



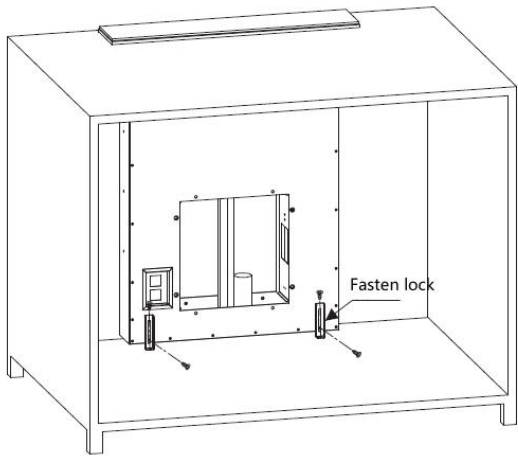
Pic 1



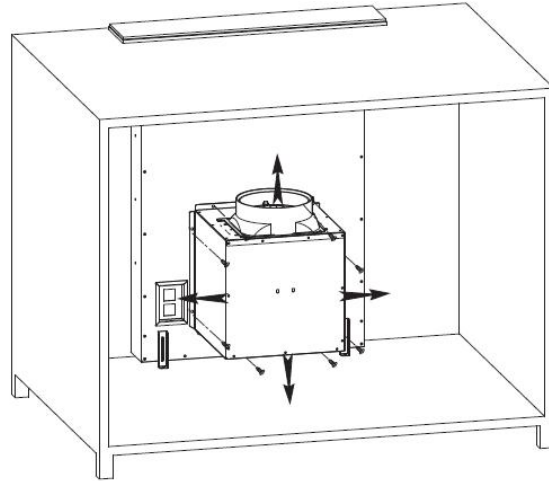
Pic 2



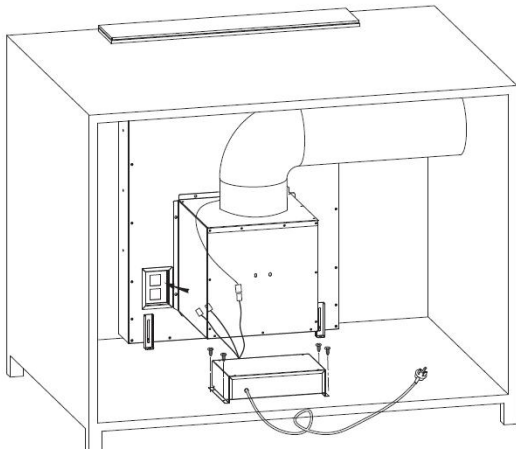
Pic 3



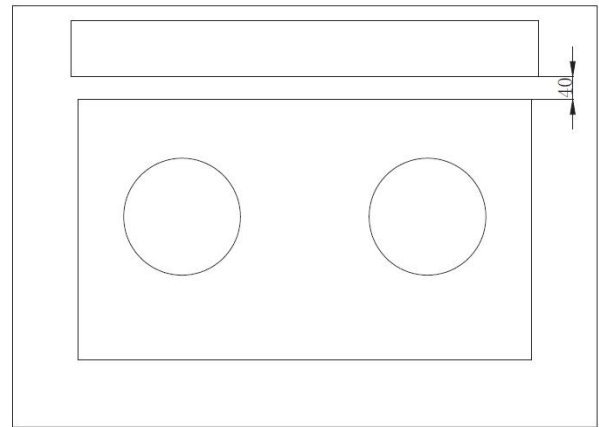
Pic 4



Pic 5



Pic 6



REMOTE MOUNTING INSTRUCTIONS

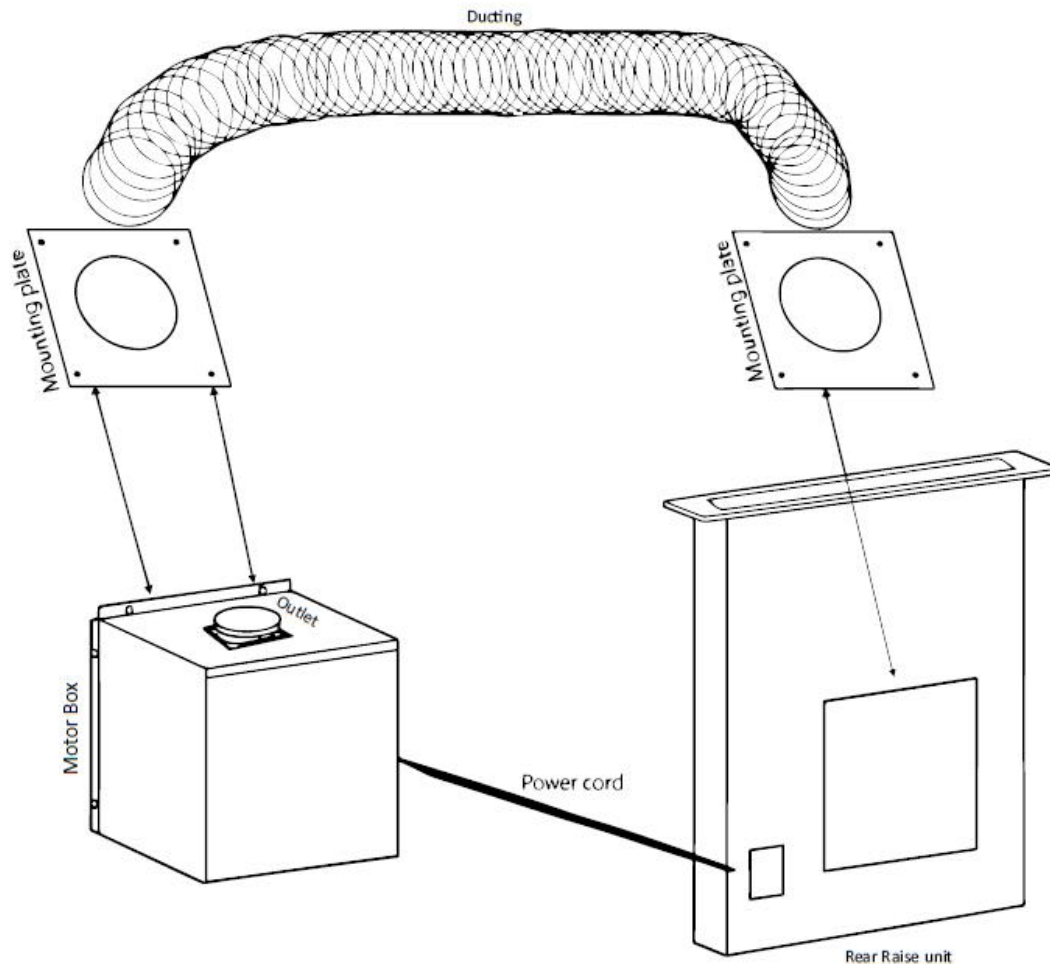
When remote mounting the fan motor unit, two cover plates are required to be fitted to allow ducting to be connected between the fan motor and the riser unit (Pic.7). The remote fan motor unit has a 4.5metre cord attached so this will dictate the distance the fan motor unit can be mounted from the riser unit.

Install instructions:

- Two mounting plates will be provided and the screws to fit.
- Fit one plate to the riser unit in the orientation desired

- Fit the corresponding plate to the fan motor in the orientation that best suit the installation see and keep in mind the least amount of bends the ducting does the better the air flow will be
- Install the motor in its final position and connect ducting between the riser unit and the fanmotor.
- Connect the fan motor electrical connection to the riser unit.

Note: Sealant maybe required to be put around the edges of the mounting plate to ensure anadequate seal to prevent whistling

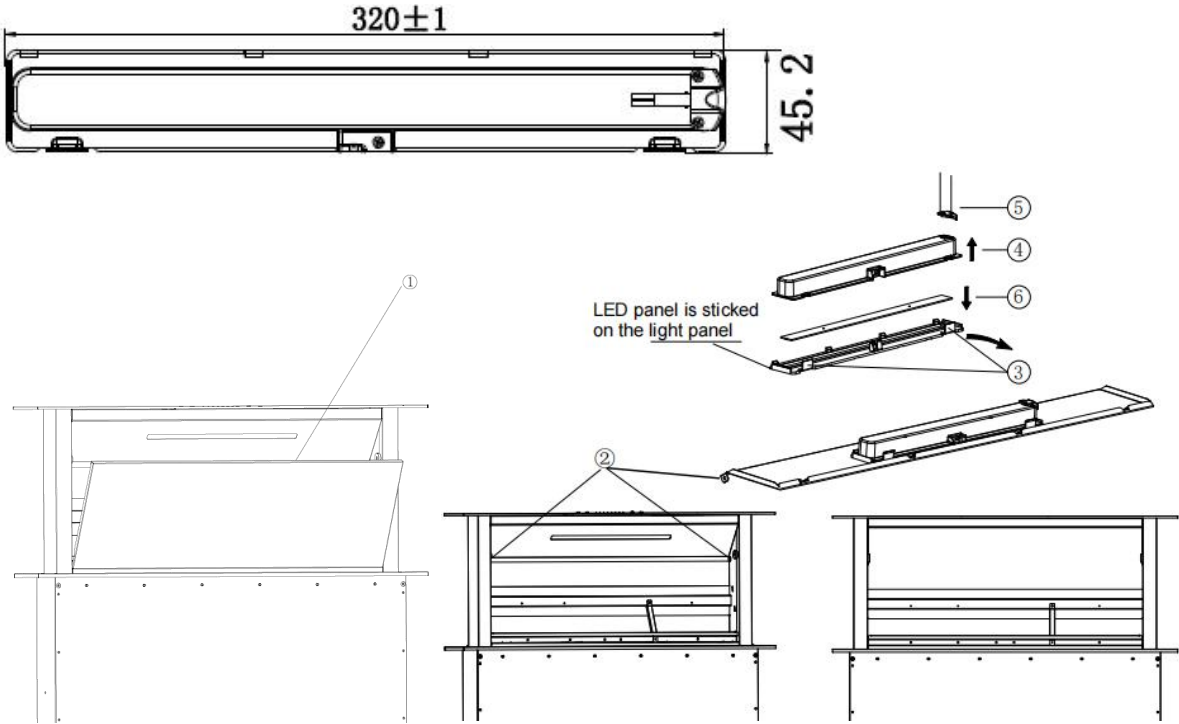


Pic 7

LAMP REPLACEMENT

- Switch off the downdraft and unplug it from the main power supply.
- Raise the cooker hood main unit, then disconnect the power cord plug after lifting.
- Remove the door panel and grease filter (Step 1).
- Take out the lamp panel by loosening 2 screws (Step 2).
- To disassemble the LED light strip, firstly pry open the adhesively bonded plastic LED panel outward (Step 3), then lift the housing upward (Step 4), after which remove 2 screws from the wire clamp plate (Step 5), and finally take out the circuit board (Step 6).

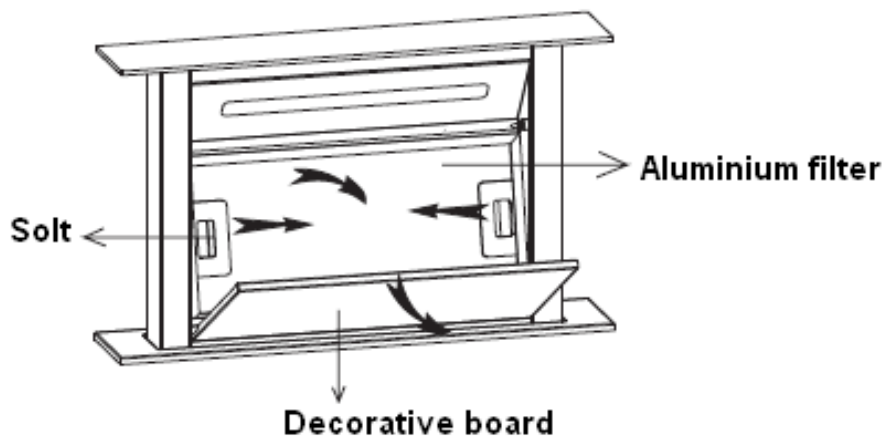
Light Dimensions:



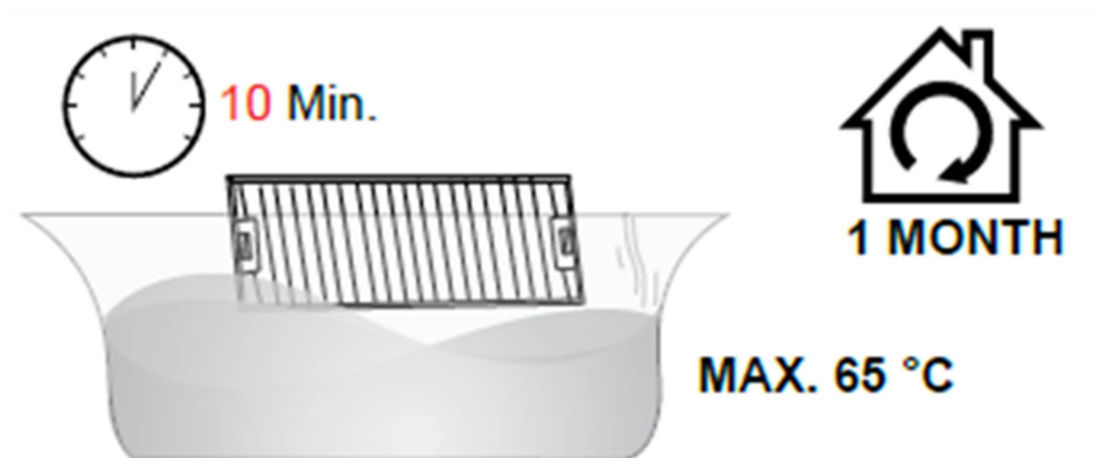
MAINTENANCE

Replace and clean the filter

- The mesh filters can be cleaned by hand.
- Remove the decorative board and wipe it clean with a damp cloth. Then, remove the aluminium filter by pressing and holding the 2 slots.



- Soak the aluminium filter into the solution of warm water and mild detergent for about 10 minutes.

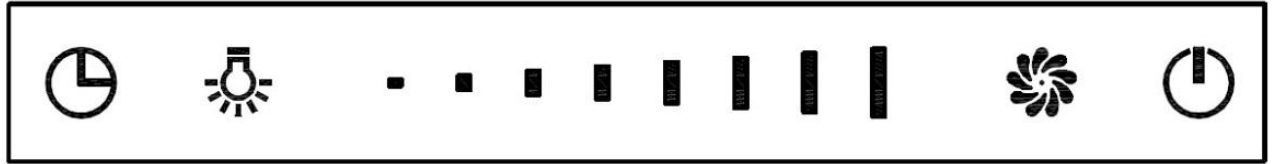


- Clean with a soft cloth/brush. Rinse thoroughly and dry well.
- Clean the filter monthly. If the hood is used for more than 2 hours a day, we recommend that you increase the cleaning frequency.
- Depending on the hood use frequency, replace the filter in time! Always use genuine filters from the manufacturer.

OPERATING INSTRUCTIONS

This control system consists of two parts, power panel and touch panel.

Touch panel contains five function buttons (power, speed, light, timer, slide control)



Timer

Light

Slide control



Speed



Power

1. Standby mode


Power on, the hood will standby with backlight, backlight will be extinguished after 5 seconds without any operation, for using the hood again, touch any key to wake up it's standby motion.


2. Operation

2.1 Touch the power button  for 2 seconds, the hood will slide upwards, and works at the first speed. Touch the power button  for 2 seconds again, the hood will slide downwards, and stop working. If you stop the hood, without stopping the motor, when you open the hood again, the hood will work at the speed it works last time.

2.2 Press the power button , when the hood is coming upwards or going downwards, the hood will stop moving, with motor keeping running. Press the power button  again, the hood will move again.

3. Motor on/off and speed setting:

3.1 Touch the speed button , the motor will turn on; touch it again, it will turn off.

3.2 How to set the speed? Touch this area , with your finger sliding on it. When your finger stops at the first or second point, the motor will run at the lowest speed; when your finger stops at the third or fourth point, the motor will run at the second speed; when your finger stops at the fifth or sixth point, the motor will run at the third speed; when your finger stops at the seventh or eighth point, the motor will run at the highest speed.

4. Lighting:

4.1. After the hood slides up, the lights will turn on automatically in 8-10 seconds.

4.2 Touch the button of light "☀️", lights will turn off. Touch the light button "☀️" again, the lights will turn on.

4.3 When you touch the button of light "☀️", the pilot light is flashing. Slide the button "☀️" to control the light intensity when the pilot light is flashing. When enter into the controlling of light intensity, the slide button "■ ■" control the light intensity. There is 8 speeds of slide button when lighting, every speed means one light intensity. When touch slide button "■ ■" and slide to one light and it will be on, the light will be on in corresponding light intensity. It can also use the manual keys by touching the button "■ ■" to operate the hoods on one pilot light and it will be on in corresponding light intensity. The pilot light will stop flashing after 15s if no function adjustment.

5. Timer button "⌚"

5.1 Touch timer button "⌚" when light or motor is working; the hood will enter into timer working.

When the pilot light of timer is flashing, slide button "■ ■" to select the timer section. There are eight sections of timer button when timer is working, they are: 5-10-15-20-25-30-35-40, touch the timer button "⌚" to enter into timer working when confirm the timer section. Or, enter into timer working automatically 5s later. The motor and light are off automatically when finish the timer, the hood will enter into standby, the decorative cover will close automatically.


5.2 Use the timer function again when keep power on, touch the timer button but without time setting, the hood will keep the time which setted on last time. It will decrease by second after 5s. It will work as new time after new setting.

Touch the speed button or control the light intensity when timer is working, the timer function will cancel automatically.



6. Connecting the remote control


A New remote control has to establish a new connection to the cooker hood when used for first time. One remote control could possibly control several cooker hood at the same time.

Connection process between remote control and cooker hood

Within 15S after the cooker hood connects to the power supply, long press  for 5 seconds, the indicators light begin flashing from one button to another ,the cooker hood is in connection mode, press any button on remote control to confirm the connection. The connection process finished and the remote control can be used for speed selection, lighting and timer setting.

If you want to connect again, you will need to clear the code that has been set up previously.

To clear the code, press  for 5 seconds, the indicators light begin flashing from one button to another, the cooker is in connection mode. Then, press  again for 5 seconds, the previous connection code is cleared.

When the previous code has been cleared, the cooker hood back to standby mode, press  for 5 seconds, the indicate light flashing from one button to another ,the cooker hood is in connection mode, then, press any button on remote control to confirm the connection.


7. Remote control Operation

7.1 Lighting




press button once, the light is on, press again, the light is off.The lighting button it is controlled separately and will not affect any other functions.

7.2 Turning on/ Increasing motor speed button

Press  once,the motor will work at low speed (Turning on).


When the hood works at low speed,press  again,the motor changes to mid speed.

Base on the middle speed condition, press  again, the motor is running in the high speed.

Base on the high speed condition, press  again,the hood still works at high speed.



7.3 Turning off/Decreasing motor speed key

 press the button and the motor begins shift to a lower speed and the LCD screen display the speed level. Repeating press the button, it keep on decreasing the motor speed till the cooker hood turning off.

Different speed cannot work at the same time. When hood is on high speed, press the speed decrease, it will turn to a lower speed; when it is in low speed, press the speed increase, it will turn to a higher speed.

7.4 Timer



Press the button to set up the timer on/off function.



Battery Warning Of Remote

Do not ingest battery, Chemical Burn Hazard;

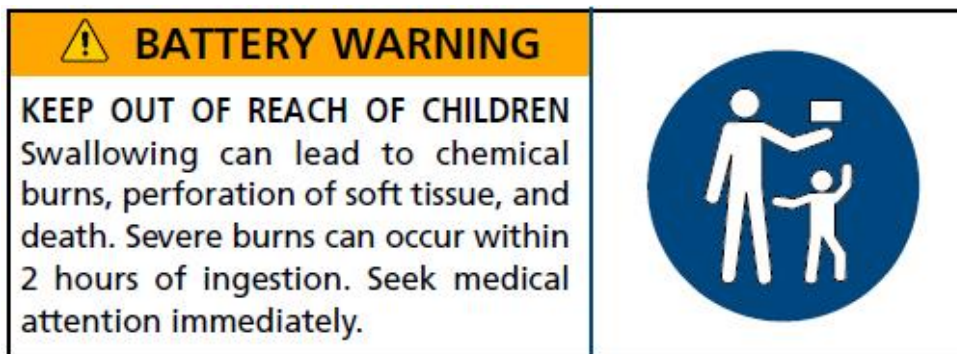
This product contains a coin / button cell battery. If the coin /button cell battery is swallowed, it can cause severe internal burns in just 2 hours and can lead to death;

Keep new and used batteries away from children.

If the battery compartment does not close securely, stop using the product and keep it away from children.

If you think batteries might have been swallowed or placed inside any part of the body, seek immediate medical attention.

The batteries contain materials, which are hazardous to the environment; they must be removed from the appliance before it is scrapped and that they are disposed of safely.



BATTERY WARNING: KEEP OUT OF REACH OF CHILDREN

If the battery compartment (if applicable) does not close securely, stop using the product and keep it away from children

If you think batteries might have been swallowed or placed inside any part of the body, seek immediate medical attention.



Example Information On Symptoms From Battery Ingestion

No obvious symptoms. Unfortunately, it is not obvious when a button or coin battery is stuck in a child's oesophagus (food pipe.)

There are no specific symptoms associated with this. The child might:

- Cough, gag or drool a lot;
- Appear to have a stomach upset or virus;
- Be sick;
- Point to their throat or stomach;
- Have a pain in their abdomen, chest or throat;
- Be tired or lethargic;
- Be quieter or more clingy than usual or otherwise “no themselves”;
- Lose their appetite or have a reduced appetite;
- Not want to eat solid food/be unable to eat solid food.

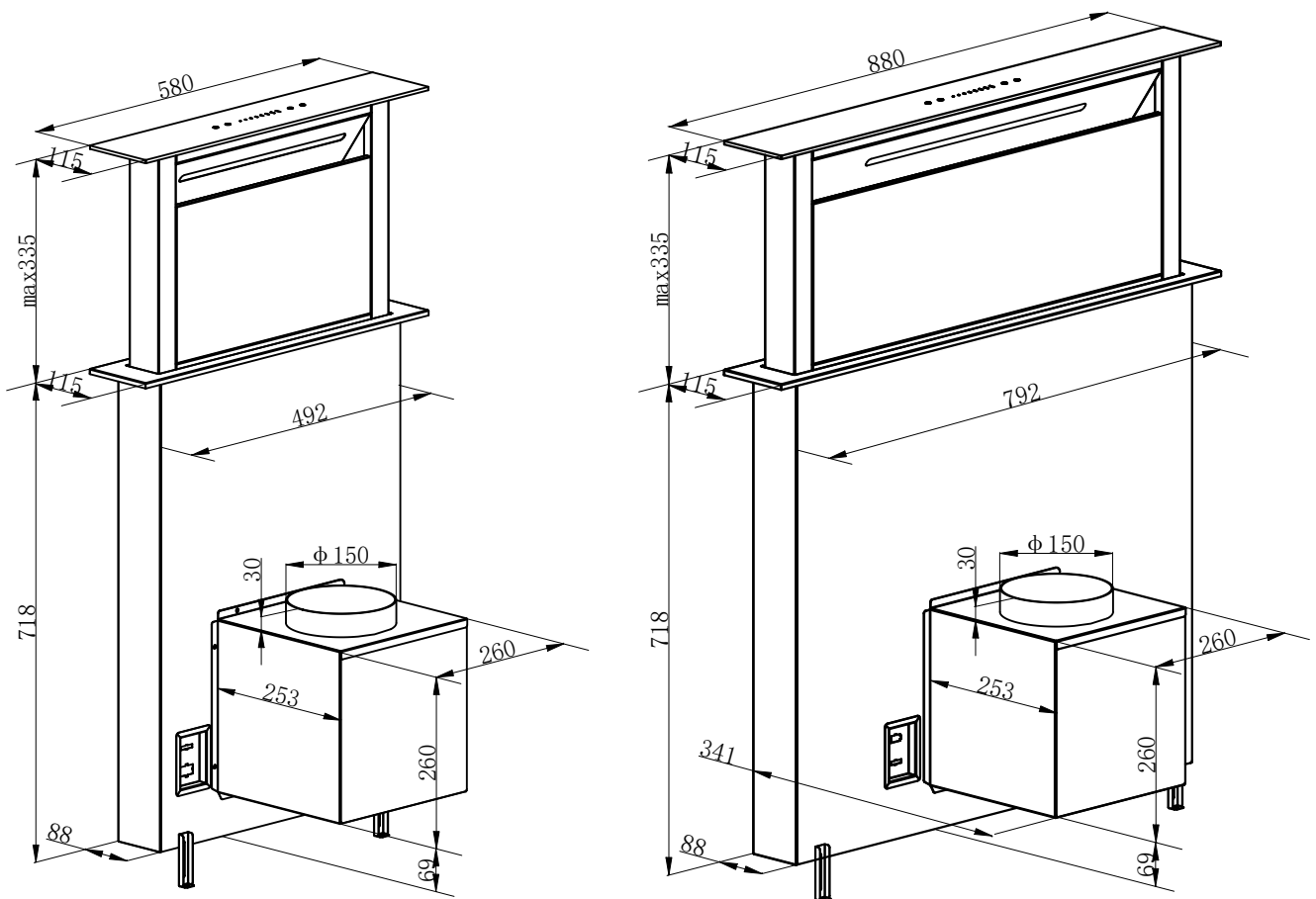
These sorts of symptoms vary or fluctuate, with the pain increasing and then subsiding.

A specific symptom of button and coin battery ingestion is vomiting fresh (bright red) blood. If the child does this, seek immediate medical help.

The lack of clear symptoms is why it is important to be vigilant with “flat” or spare button or coin batteries in the home and the products that contain them.

TECHNICAL DATA

Model	DD6G1000; DD9G1000
Company	Parmco Appliances 519 Mt. Wellington Highway, Auckland, 1062
Voltage	220-240V, ~ 50Hz
Rated input power	383.5W
Air movement capacity	1000 m ³ /h



TROUBLESHOOTING

Fault	Possible Cause	Solution
Light on, but motor does not work	Fan switch turned off	Select a fan switch position.
	Fan switch failed	Contact service center.
	Motor failed	Contact service center.
Light does not work, motor does not work	House fuses blown	Reset/Replace fuses.
	Mains power cable is loose or disconnected	Refit mains power cable to power outlet. Switch power outlet on.
Oil leakage	One way valve and the outlet are not tightly sealed	Take down the one way valve and seal with sealant.
	Leakage from the connection of chimney and cover	Take chimney down and seal.
Lights not working	Broken or faulty bulbs	Replace bulbs as per this instruction.
Insufficient suction	The distance between the cooker hood and the gas top is too far	Refit the cooker hood to the correct distance.
The Cooker hood inclines	The fixing screw is not tight enough	Tighten the hanging screw and make it horizontal.

NOTE:

Any electrical repairs to this appliance must conform to your local, state and federal laws. Please contact the service centre if in any doubt before undertaking any of the above. Always disconnect the unit from the power source when opening the unit.