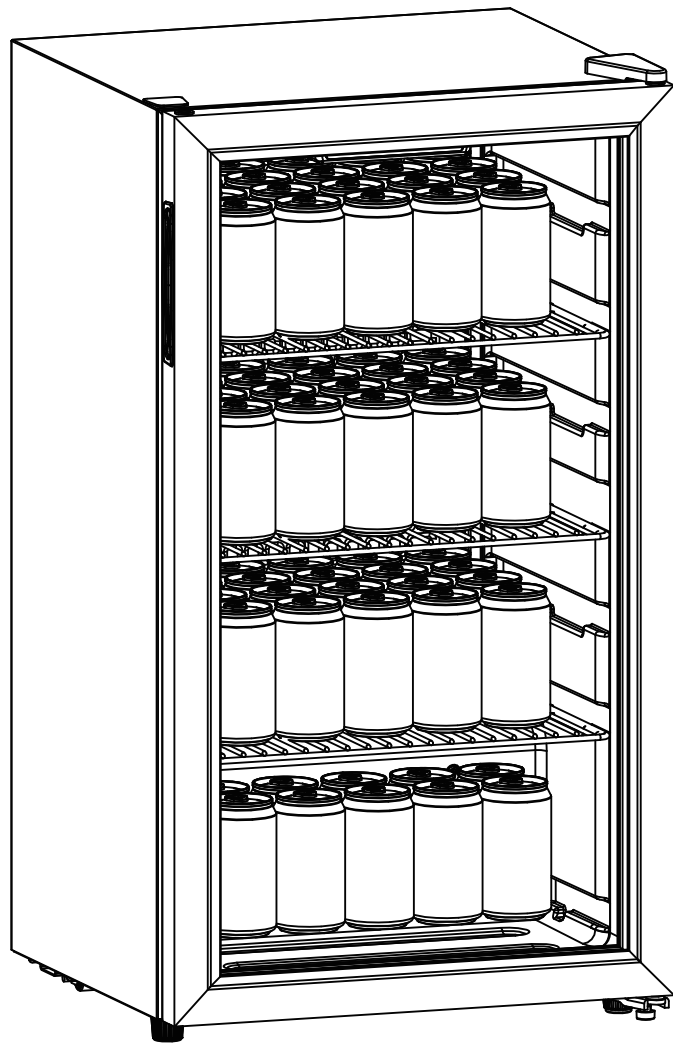


PARMCO

Installation and Operating Instructions

Model:
BC85B



As part of Parmco Appliances commitment to improving and updating product ranges, we reserve the right to alter, change and update technical specifications and appearance attributes of all Parmco Appliances products. E&OE

PARMCO

p: 09 573 5678
f: 09 573 5699
e: sales@parmco.co.nz
w: www.parmco.co.nz

Inspiring kitchens, entertaining homes

Parmco Appliances extended 7 year warranty



The Warranty:

- This appliance is intended for domestic use in the owners' home. Use of the appliance for commercial purposes will limit the warranty period (please see Parmco website for commercial details).
- Subject to the terms and conditions contained within this warranty, if the product is not of Acceptable Quality (as defined in the Consumer Guarantees Act) within 7 years of the date of original purchase, then Parmco Sales undertakes to repair or, at its sole discretion, replace the product.
- The warranty does not cover the costs of transport, mileage or travelling time if the product is located beyond 30km of a recognised Service Agent.
- This warranty is offered as an extra benefit, and does not affect other legal rights, which can not be modified or excluded by agreement.
- This warranty only applies to goods supplied and installed in the North and South Islands of New Zealand.
- The provisions of this warranty are in addition to the rights and remedies available to consumers under the Consumer Guarantees Act 1993.

The Warranty is not valid:

- If the product is not installed and operated in accordance with the operating instructions.
- If the product is not installed to comply with the electrical, gas, plumbing and other Regulations and Codes of Practice in New Zealand.
- If the product is operated on voltages or frequencies outside the normal range for domestic appliances in New Zealand.
- If the product is not used in normal domestic use, or if it is used in a business as defined in the Consumer Guarantees Act.
- If any serial number has been removed or defaced.
- If proof of date of purchase is not supplied, except at the sole discretion of Parmco Sales. Proof of purchase can be for the product itself, or if installed with a kitchen or house then proof of purchase can be from a Parmco reseller of products supplied by Parmco.
- If the products are purchased in a second hand condition from other parties (including but not limited to TradeMe, Sella, etc.)

Liability under this warranty will not be accepted for:

- Wear and tear caused by normal domestic use of the product.
- Damage in transport.
- Damage caused to the product by neglect, abuse, negligence, wilful act or misuse.
- Any costs associated with the repair, replacement, removal or reinstallation of products installed in a damaged condition.
- Any defect caused by accident, misuse, neglect, tampering with or unauthorised modifications of the appliance or any attempt at internal adjustment or repair by any person other than an Authorised Service Agent.
- Service calls that relate principally to the following:
 - Instruction on how to use the product.
 - Repair or replacement of house fuses, electrical wiring, gas fitting or plumbing.
 - Normal or scheduled maintenance including blocked filters or ducting.
 - Consumable items such as light bulbs.
 - Any damage to hobs caused by spills when cooking.
 - Any breakage or damage of glass items.
 - Any damage caused by non recommended product used for cleaning, maintaining, lubricating or similar.
- Any aspect relating to the installation of the product, or damage caused during installation including blocked access for repair.
- Any third party (including reseller) or consequential loss or damage (direct or indirect) however arising.

Product _____ Date of purchase _____
Serial Number _____
Dealer / Retailers Name _____

Please retain this Warranty card together with receipt or other proof of purchase date when seeking service during the warranty period

Please contact Parmco at 09 573 5678 if your appliance needs servicing under warranty. Please have your model number and proof of purchase ready. Warranty repairs must be authorized by Parmco.

Subject to updates without prior notice, please visit www.parmco.co.nz for the latest version.

E & O.E. 727626062017

100%
NZ OWNED
& OPERATED
— EST. 1989 —

Dear Valued Customer,

Thank you and congratulations on purchasing your new Parmco appliance.

All Parmco products are made to the highest quality and design standards. We are sure you will enjoy your new appliance.

As a note, please read through these instructions carefully. These will assist you in gaining a complete understanding of the functions and features offered by your appliance. Please take special note of all detailed technical information and installation instructions. It is essential that you follow these instructions to ensure the safety and reliability of this appliance.

Furthermore, not using appropriate personnel to install this appliance may affect any future warranty claims lodged, so please check with Parmco Appliances before any installation is carried out.

We hope you enjoy your new appliance. If you would like to find out more about this product or any other products in Parmco's extensive range, visit us online at www.parmco.co.nz.

Regards,
The Parmco Team

P A R M C O

Inspiring kitchens, entertaining homes

Content

Safety instructions & warnings.....	1-4
Description of the appliance.....	5-7
Installation & operation.....	8-10
Troubleshooting.....	10
Maintenance and cleaning.....	11
Technical parameters.....	12

Safety instructions & warnings

Your safety is of the utmost importance to our company. Please make sure that you read this instruction booklet before attempting to install or use the appliance. If you are unsure of any of the information contained in this booklet, please contact the Technical Department.



Prohibition



Warning




Caution



Caution

- This appliance can be used by children aged from 8 years and above and persons with reduced physical, sensory or mental capabilities or lack of experience and knowledge if they have been given supervision or instruction concerning use of the appliance in a safe way and understand the hazards involved. Children shall not play with the appliance. Cleaning and user maintenance shall not be made by children without supervision.
- Children aged from 3 to 8 years are allowed to load and unload refrigerating appliances. Children should be supervised to ensure that they do not play with the appliance.
- This appliance is intended for **HOUSEHOLD USE ONLY** and not for commercial or industrial use.

 Warning

- Keep ventilation openings, in the appliance enclosure or in the built-in structure, clear of obstruction.
- Do not use mechanical devices or other means to accelerate the defrosting process, other than those recommended by the manufacturer.
- Do not damage the refrigerant circuit.
- Do not use electrical appliances inside the storage compartments of the appliance, unless they are of the type recommended by the manufacturer.
- Make sure that the appliance is connected to power supply in accordance with the rating label.
- Use an independent grounded socket with 10A or higher, do not connect to transformer or socket with multiple outlets.
- Make sure socket is grounded properly and do not modify power cord & plug.
- Connect power plug with socket firmly in case of possible risk of fire.
- Plug should be within reach for easy disconnection after the appliance positioned in case of accidents occurred.
- Do not store or burn gasoline or other inflammables near the appliance in case of possible fire.
- Do not store inflammables, explosives, acid & alkaline liquids etc.in the compartment of the appliance.
- Do not operate other appliances in the compartment.

Child Safety

- Do not allow child play inside the appliance in case of entrapment.
- Do not allow child hang on the door to play in case of falling of the appliance.

- Do not allow child reach into compressor compartment or touch metal components at rear of the appliance in case of possible injury.

Keep away from water

- Do not spray water on the appliance or wash the appliance by pouring or filling water in case of invalid insulation and possible electric shock.

Be careful of freezing

- Do not touch surface of the liner inside the compartment, especially with wet hand, in case of frozen injury while the appliance is in operation.

Do not open the door for long periods

- Opening the door for long periods can cause a significant increase of the temperature in the compartments of the appliance.

Modification on the appliance not allowed

- Do not reconstruct the appliance by yourself which might cause damages to the appliance.

Unplug the appliance under certain conditions

- Unplug the appliance before cleaning & maintenance.
- Unplug the appliance when power cut occurred.

Disposal of the appliance

- Please according to local regulations regarding disposal of the appliance for its flammable refrigerant and blowing gas.
- Before you scrap the appliance, please take off the doors to prevent children trapped.
- Send the appliance to the designated disposal location.



Prohibition

Do not damage the power cord

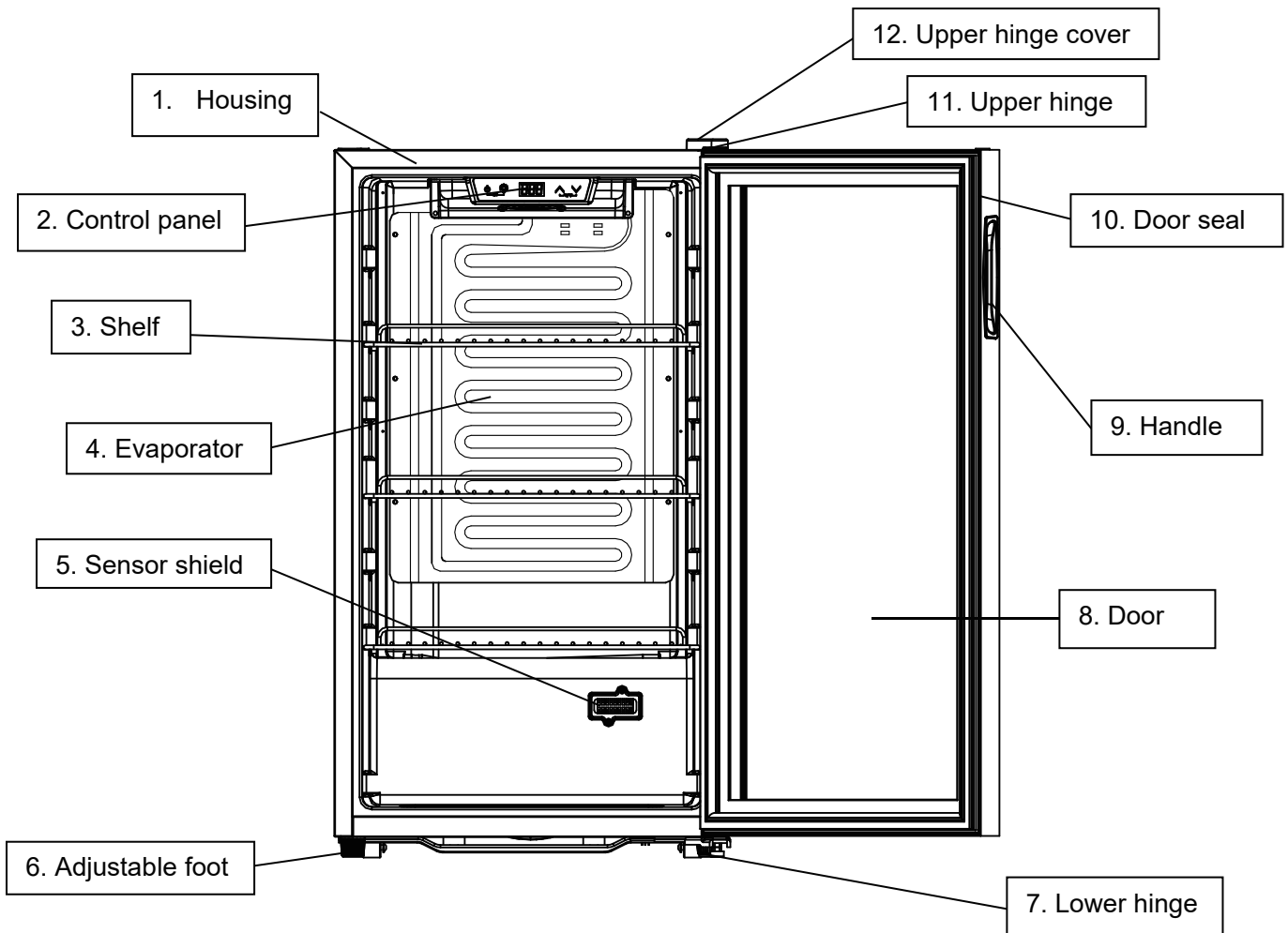
- Do not disconnect the appliance by pulling power cord rather than pulling the plug.
- Do not set the appliance above the power cord or step on the cord intentionally.
- Put the power cord at right place when moving the appliance.

When the power cord is damaged

- Do not use damaged power cord, and get it replaced immediately by manufacturer service agent or by qualified electrician.
- If needed, extend the power cord with cord of 0.75mm² or bigger by qualified electrician.

Description of the appliance

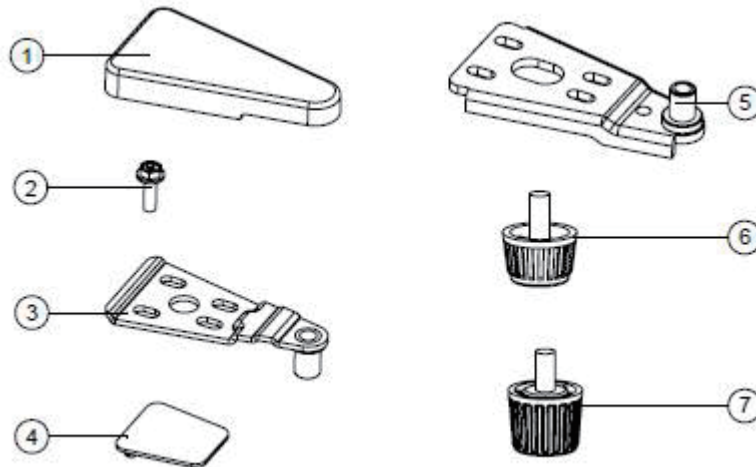
Accessories & name



Note: Shelves, door frame, handle and other accessories could be different according to different models and configuration. All photos in this manual are for reference. The appliance you buy might not be exactly the same as shown here. Please refer to the actual product.

Installing handle and reversing the door

1. Parts for door reversing



- ① Door hinge cover ② Flange screw ③ Door hinge ④ Cap ⑤ Lower door hinge
⑥ Short cabinet foot ⑦ Height cabinet foot

2. Reversing the door

Our wine coolers are delivered with the door opening from left to right. To reverse the opening direction:

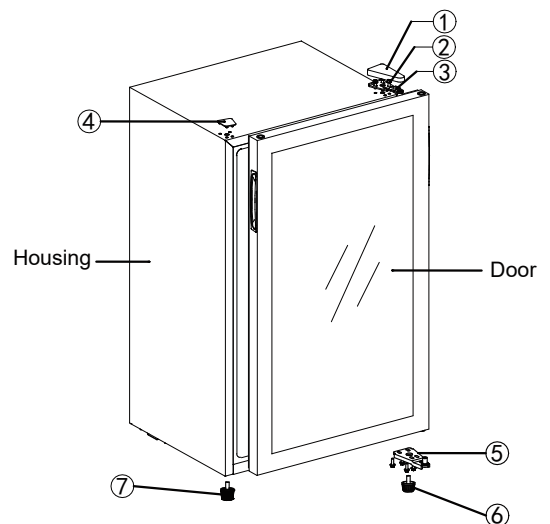
1) Close the door.

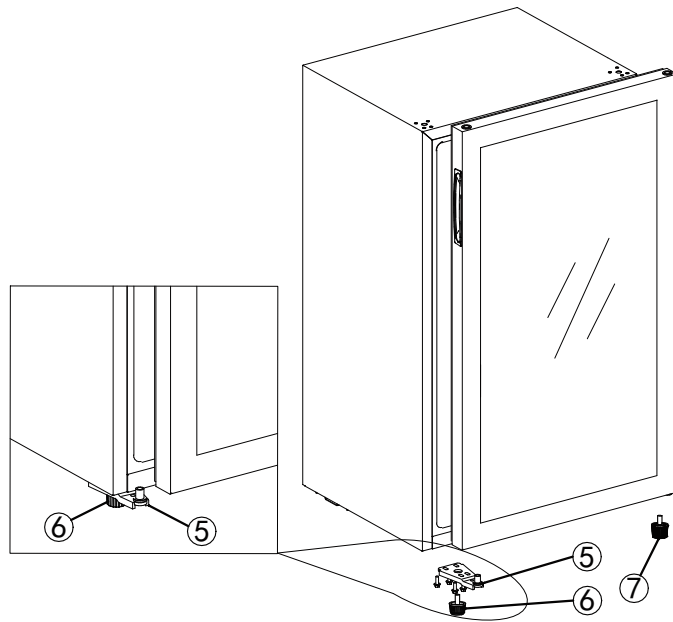
2) Take off the door hinge cover

① on the up right corner; Unscrew the flange screws ②; Take off door hinge ③; Remove the up left side cap ④.

3) Lift the door up until the door gets off the lower door hinge ⑤.

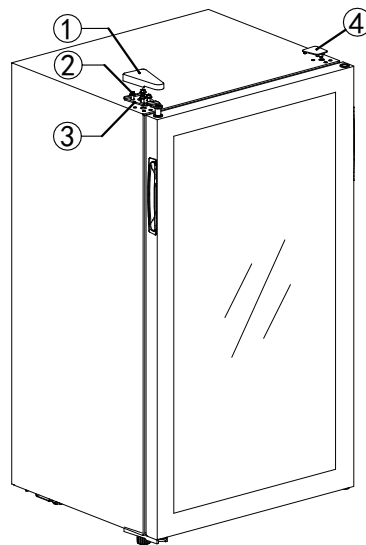
4) Unscrew the lower door hinge. Remove the short cabinet foot ⑥ and height cabinet foot ⑦.










5) Fit the lower door hinge ⑤ to the down left corner; Install the short cabinet foot ⑥ and the height cabinet foot ⑦. Put the door above and insert into the lower door hinge.

6) Fit the door hinge ③ to the up left corner and screw the flange screws ②; Put on the door hinge cover ①; Put the cap to the up right side ④.



Installation & operation

Position

-  Do not lean the appliance over 45° when moving it to position.
-  The appliance must be put on flat, firm & dry floor or similar noncombustible pad; do not use the package foam pad.
-  Do not put the appliance in a wet place.
-  Do not use the appliance in a frozen place.
-  Do not use the appliance outdoor.

Start operation

1. Cleaning the compartment

Before power on, clean inside of the appliance and check the drainage pipe in good connection. (For details, please refer to the “Maintenance and cleaning”)

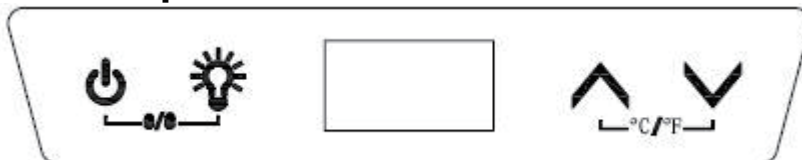
2. Placement

Before power on, level the appliance on the firm & dry floor for at least 3 hours.

3. Power on

The appliance start operation and it will cool down inside after 1 hour, otherwise you should check the power connection.

Control panel



All keys will be invalid if in lock mode. Please unlock first.

ON/OFF

1. In the unlock state, hold down the on/off key for 3 seconds to power down, unit will go into stand-by mode.
2. Hold down the on/off key again 3 seconds to return unit back to normal working operation.

Light

Press the key, turn on or turn off the LED lights inside. In stand-by mode, this key is invalid.

UP

Press the key once, LED display will begin flashing showing current set temperature. Continue pressing to adjust set temperature, one press increases

1°C. Flashing will cease after 5 seconds of no activity and new set temperature will be saved. LED display will return to show actual temperature inside.

Down

Press the key once, LED display will begin flashing showing current set temperature. Continue pressing to adjust set temperature, one press reduce 1°C. Flashing will cease after 5 seconds of no activity and new set temperature will be saved. LED display will return to show actual temperature inside.



Child Lock (Combination key)

1. Lock: Hold down both keys at the same time for 3 seconds to lock, or it will be locked automatically without any operation within 15 seconds.
2. Unlock: Hold down both keys at the same time for 3 seconds to unlock.



Fahrenheit/Celsius display interchange

Switch temperature display between Fahrenheit and Celsius by pressing both keys.

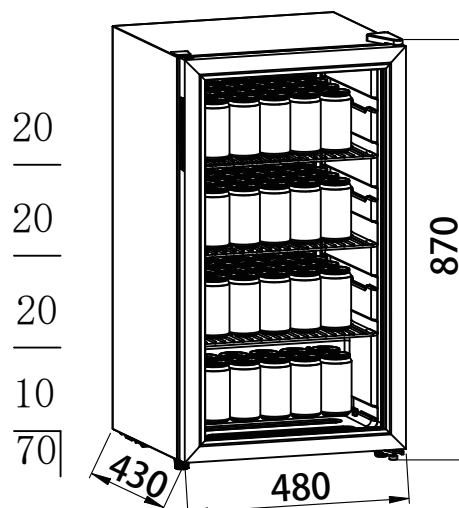


Attention

1. The cooling temperature could be set from 0°C-10°C.
2. Alarm sound: when a system malfunction occurs and alarm sounds, press any key on the control panel to cancel the alarm sound.
3. Error code:
If a temperature sensor failures occur, error code displays: E1 for open circuit; E2 for short circuit..

Beverage storage

- ✧ This appliance is equipped with chromed wire shelves to store your beverages.
- ✧ 3 chromed wire shelves loading capacity: **70** cans. (standard can with Φ 66x123H'mm')



- ✧ Loading capacity will vary in terms of different way of cans arrangement or different can sizes.
- ✧ Each shelf can pull out partly to store cans easily.
- ✧ Open the door wide enough before pulling out shelves.

- ✧ If the beverage cooler is not in use for long periods of time, it is recommended to power it off, clean it carefully, and open the door for ventilation.

Troubleshooting

The appliance is makes lots of noise ?	<ul style="list-style-type: none"> ● Please adjust the front foot, keep the appliance leveling. ● Please keep a bit of space between appliance and walls.
Liquid flowing sound inside the cabinet ?	<ul style="list-style-type: none"> ● This is normal because of the refrigerant working inside.
The appliance does not start ?	<ul style="list-style-type: none"> ● Make sure the appliance is connected to the power properly. ● Make sure switch on the power. ● The compressor re-starts after 5 minutes for a power cut.
Compressor runs continuously ?	<ul style="list-style-type: none"> ● If no cold air is being produced, call the after-sale service.
Door does not seal tightly ?	<ul style="list-style-type: none"> ● After a long period of use, the door seal might get stiff & distorted partially. <ol style="list-style-type: none"> 1. Heat the door sea slightly with heat gun or with or hot towel. 2. The door seal will soften and then close the door.
The appliance does not cool sufficiently ?	<ul style="list-style-type: none"> ● Please adjust temperature setting. ● Keep the appliance away from sunlight or heat. ● Please do not open the door frequently.
Unpleasant smells inside cabinet ?	<ul style="list-style-type: none"> ● A little bit of plastic smell for newly purchased appliance is normal and will disappear after a short time. ● Clean the compartment and ventilate it for a few hours.
Condensate on the glass door ?	<ul style="list-style-type: none"> ● Please do not open the door frequently or for a long time. ● Please do not set the temperature too low. ● High ambient temperature and humidity would cause condensate.
The light is not working ?	<ul style="list-style-type: none"> ● Check the power supply first. ● Call the retailer's after-sale service if the light is broken.

Maintenance and cleaning

Cleaning

- Disconnect the appliance before cleaning.
- Clean the appliance with soft cloth or sponge by water.
- Do not use organic solvents, alkaline detergent, boiling water, washing powder or acid liquid etc.
- Do not flush the compartment of the appliance.
- Clean regularly surfaces that can come in contact with accessible drainage systems.

The below items will damage the surface of beverage cooler:



Power cut

Most power cuts could be resolved within a short time. To protect your beverage during a power cut, avoid opening the door as much as possible. During very long power cuts, take the necessary measures to protect your beverage.

Out of service for long time

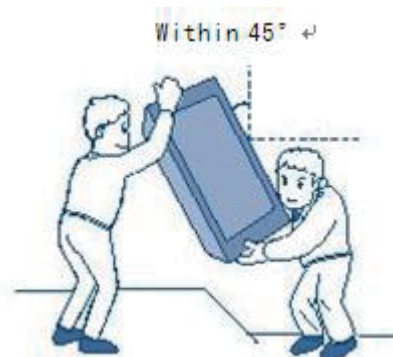
Remove all beverage from the appliance, switch off, defrost, clean, dry, and leave the door open to prevent mould developing within the appliance.



If the appliance is disconnected or if there is a power cut, you must wait at least five minutes before re-starting.

Moving the appliance

- Cut off the power supply and unplug the appliance.
- Remove all beverage from the appliance.
- When moving the appliance, do not lean the appliance over 45°.



Technical parameters

Product model	BC85B
Voltage/frequency	220-240V ~ /50Hz
Refrigerant/weight	R600a / 23g
Effective volume	85 L
Loading capacity	70 cans
Net weight	27.5kg
Unit dimension (WxDxH)	480×430×870mm
Packing dimension (WxDxH)	512 x 466×890 mm

Remarks:

1. The Net weight includes shelves and the Unit dimension is without handle on the door.
2. The manufacturer reserves all the rights to change the above parameters without prior notice. Please refer to the nameplate of your appliance.
3. Loading capacity will vary in terms of different way of cans arrangement or different can sizes.