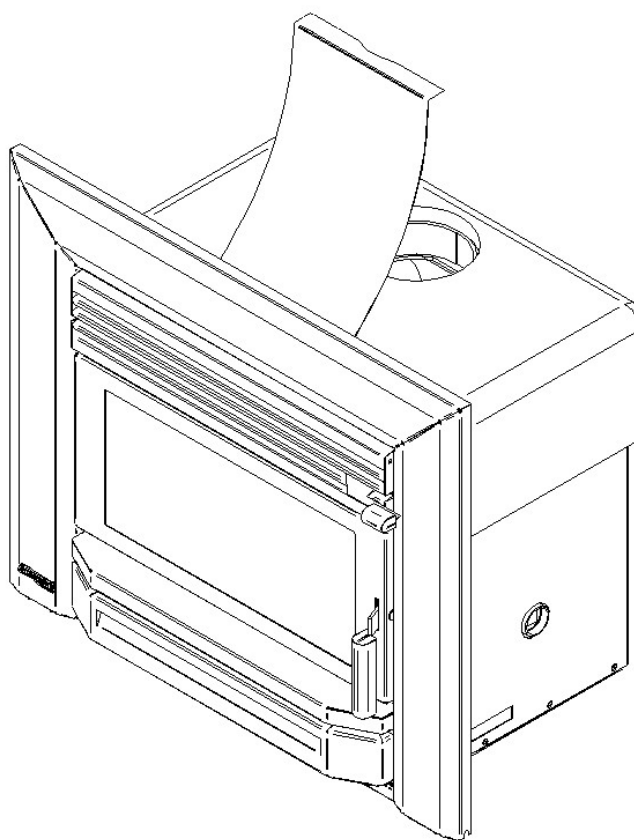


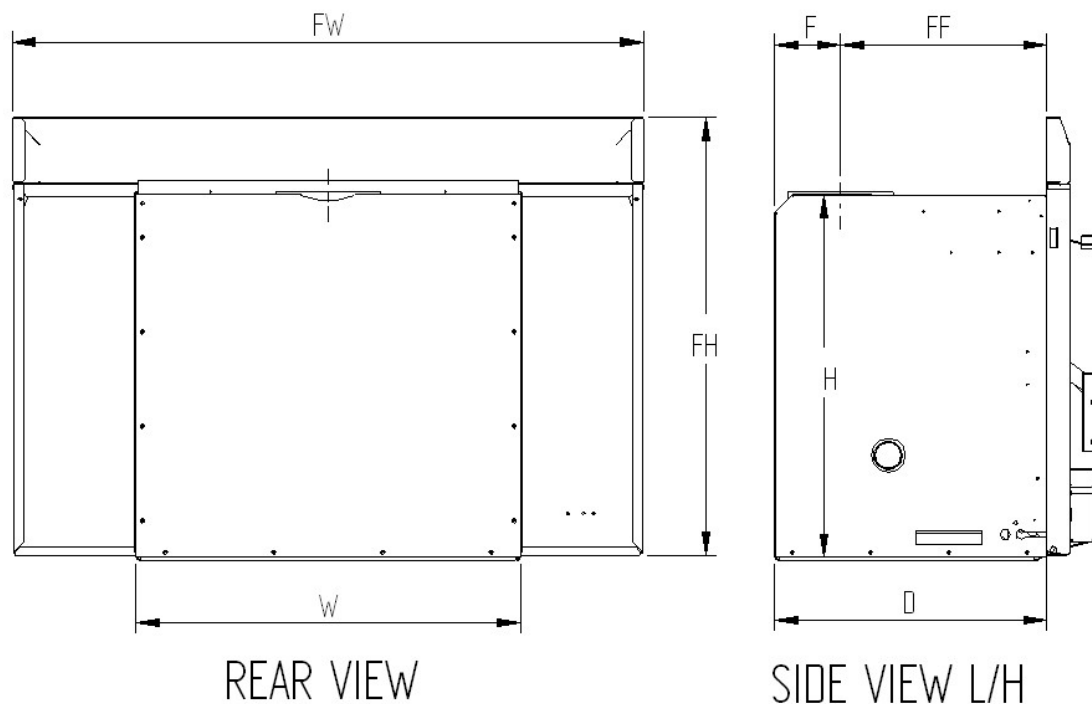


SPECIFICATION & INSTALLATION GUIDE FOR MASPORT LE4000 PROVINCIAL INSERT FIRE, NEW ZEALAND MODEL



Manufactured in New Zealand by:
GLEN DIMPLEX AUSTRALASIA LIMITED
PO Box 58-473 Botany
Auckland 2163
Ph: 0800 666 2824
Fax: 09274 8472
Email: sales@glendimplex.co.nz
Web: www.glendimplex.co.nz

DIMENSIONS: LE4000 PROVINCIAL INSERT



MODEL	D	F	FF	FH	FW	H	W
SLIM FASCIA	417	101	316	698	842	567	590
WIDE FASCIA	417	101	316	672	968	567	590

NOTE: Dimensions do not include the insulating blanket. Add 30mm to rear and top to allow for insulating blankets.

INTRODUCTION

In the interest of your safety, all building regulatory Authorities in New Zealand require any insert woodfire installation into a masonry cavity, to comply with Installation Standard AS/NZS 2918:2001, Appendix E. They may also have local requirements in addition to those in the Standard. Check with your local Building Authority **before commencing installation** to find if you will require a Permit and whether there are extra requirements. This woodfire has been tested to ensure that it complies with the appropriate safety Standard requirements if these instructions are followed. As the safety and emission performance can be affected by altering the appliance, no modifications are allowed without written permission from the manufacturer.

The model LE4000 PROV has been tested and complies to the Australian/New Zealand Standards AS/NZS 4012:1999 and AS/NZS 4013:1999 in order to meet the current national environment standard for emissions and performance requirements in New Zealand. Some areas in New Zealand have stricter limits for emissions. **So check the requirements for your area before purchase or installing the unit.**

WE RECOMMEND THAT THE INSTALLATION OF YOUR MASPORT WOODFIRE BE CARRIED OUT BY A QUALIFIED SPECIALIST INSTALLER.

LE4000 PROVINCIAL MODEL HAS AN AIR RECIRCULATING FAN WHICH MUST BE PERMANENTLY CONNECTED TO THE POWER SUPPLY BY A REGISTERED ELECTRICIAN. REFER DETAILED INSTRUCTIONS FOR INSTALLATION OF FAN FOR THIS MODEL ON PAGE 8.

IN SOME REGIONS PERMANENT CONNECTIONS ARE NOT PERMISSIBLE WITHIN THE FLOOR PROTECTOR AREA, PLEASE CHECK WITH YOUR LOCAL AUTHORITY.

IF THE SUPPLY CORD IS DAMAGED, IT MUST BE REPLACED BY THE MANUFACTURER OR ITS SERVICE AGENT OR A SIMILARY QUALIFIED PERSON IN ORDER TO AVOID ELECTRICAL HAZARD.

WARNING: THE APPLIANCE AND FLUE SYSTEM MUST BE INSTALLED IN ACCORDANCE WITH AS/NZS 2918:2001 AND THE APPROPRIATE REQUIREMENTS OF THE REVELANT BUILDING CODE OR CODES.

WARNING: APPLIANCES INSTALLED IN ACCORDANCE WITH THIS STANDARD SHOULD COMPLY WITH THE REQUIREMENTS OF AS/NZS 4013 WHERE REQUIRED BY THE REGULATORY AUTHORITY, I.E. THE APPLIANCE SHALL BE IDENTIFIABLE BY A COMPLIANCE PLATE WITH THE MARKING 'TESTED TO AS/NZS 4013'.

WARNING: ANY MODIFICATION OF THE APPLIANCE THAT HAS NOT BEEN APPROVED IN WRITING BY THE TESTING AUTHORITY IS CONSIDERED TO BE IN BREACH OF THE APPROVAL GRANTED FOR COMPLIANCE WITH AS/NZS 4013.

LE4000 PROVINCIAL APPLIANCES CANNOT BE FITTED WITH WATER HEATING DEVICES eg. WATER BOOSTERS.

CAUTION :

- PLEASE ENSURE THAT ONLY COMPONENTS APPROVED BY GLEN DIMPLEX AUSTRALASIA LTD ARE USED FOR INSTALLATION, as substitutes may adversely affect performance and might nullify compliance with the requirements of AS/NZS 2918:2001.
- MIXING OF APPLIANCE OR FLUE SYSTEM COMPONENTS FROM DIFFERENT SOURCES OR MODIFYING THE DIMENSIONAL SPECIFICATION OF COMPONENTS MAY RESULT IN HAZARDOUS CONDITIONS. WHERE SUCH ACTION IS CONSIDERED, THE MANUFACTURER SHOULD BE CONSULTED IN THE FIRST INSTANCE.
- CRACKED OR BROKEN COMPONENTS, E.G. GLASS PANELS, MAY RENDER THE INSTALLATION UNSAFE.
- USE SMOKE DETECTORS ARE REQUIRED TO BE FITTED IN ALL RESIDENTIAL HOUSEHOLDS AS PER THE GUIDELINES GIVEN IN AS1670.6 OR MANUFACTURER OF THE SMOKE ALARM OR LOCAL BUILDING AUTHORITY.
- KEEP FURNITURE AND DRAPES WELL AWAY FROM THE STOVE.

NOTE

The following instructions cover the installation of the model LE4000 PROV Insert Fire into a sound masonry fireplace which has an integral masonry chimney. Where such a chimney is not available, the heater can be installed into a timber framed structure provided that it is mounted in a special 'build in' (or 'zero clearance') metal shielding box. Build-in (zero clearance) installation kits and the special fascia and the special flue components necessary are available from your Masport Heating Dealer. Full assembly instructions are included in the kit.

INSTALLATION REQUIREMENTS

FIREPLACE PREPARATION

The LE4000 Prov fire may be installed in a sound masonry fireplace equipped with a sound masonry chimney. Further it may be installed in a masonry enclosure by following the requirements detailed in AS/NZS 2918:2001. LE4 4000 Prov model may be installed in a masonry fireplace even though the fireplace has not been constructed to meet the 50mm timber-to-masonry separation requirements specified in the New Zealand Building Code and even though timber is in contact with the outside of the masonry. It may also be installed in a timber framed enclosure using a 'zero clearance' kit. (Please refer to separate installation instructions).

For a safe installation the following matters must be attended to:

- The masonry fireplace and chimney must be thoroughly cleaned and checked for soundness.
- The chimney must not connect to a second fireplace.
- The joint between the chimney face and the fireplace surround must be checked and sealed to prevent leakage if necessary.
- The flue pipe must be fitted right up the masonry chimney to exit above the chimney top, and the space between the flue pipe and chimney must be ventilated at the top. The area of this vent must be not less than 10'000mm². The vent must be fitted with means to prevent significant ingress of water and debris. The flue must be free to move up and down at the top as it expands and contracts with temperature changes. This movement can be 25mm or more.

FIREPLACE CAVITY DIMENSIONS (MINIMUM):

Width: 620mm

Height: 600mm

Depth: 450mm

Distance from face of fire place surround to center of flue spigot: 316mm

DISTANCES TO HEAT SENSITIVE MATERIALS:

SIDE WALLS:

Minimum distance to heat sensitive (combustible) sidewalls: 658mm from centerline of heater.

MANTLE SHELF:

Mantle shelf must be at least 1180mm above the base of the heater and it must not protrude more than 150mm from the face of the fireplace surround.

MANTLE SHELF COLUMNS:

Minimum distance from centre line of heater: 500mm.

Maximum projection of column out from fireplace surround: 100mm.

HEAT SENSITIVE (COMBUSTIBLE) MATERIALS BEHIND FASCIA:

Exclusion zone for combustible materials behind fascia is as follows:

Width : 1190mm minimum

Height from base of heater: 1235mm minimum, if there is no mantel shelf fitted.

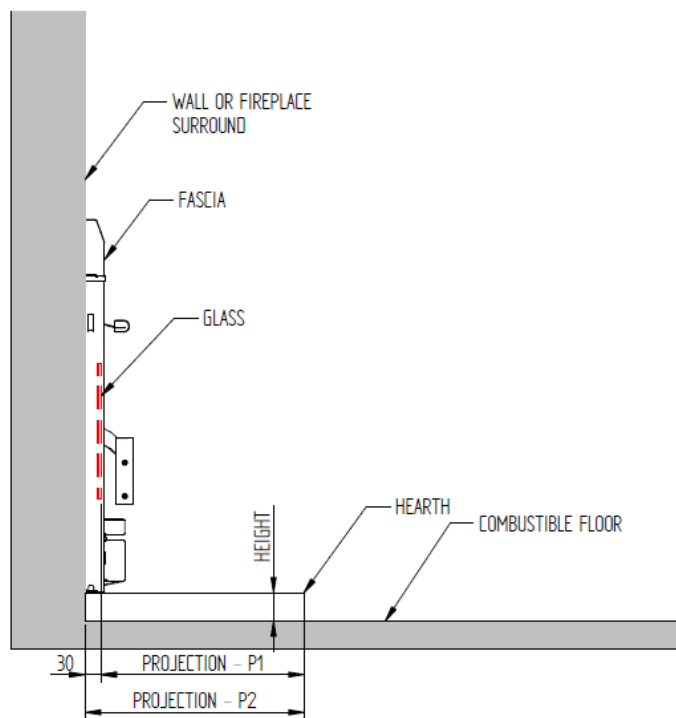
Height from base of heater: 1180mm minimum if there is a mantle shelf as above fitted.

HEARTH REQUIREMENTS:

An **insulating floor protector (hearth)** is required. The minimum requirement for an insulating floor protector (hearth) is two layers of 16mm thick MICORE 160, 'PROMATECT H', SUPALUX, or ETERPAN LD (or similar with a heat transition coefficient of 5 W/m³ K), and a 6mm layer of tiles or slate. This will give a thickness of approximately 40mm, and the extension from the face of the glass must be at least 336mm (or 366mm from fireplace surround) if the floor protector is flush with the surrounding heat sensitive material. The floor protector must be at least 935mm wide. **It is desirable to carry the floor protector all the way inside the fireplace to ensure that the bottom of the fire does not rest below the top surface of the floor protector.** Of course an existing fireplace should already have a suitable hearth. Please check the dimensions.

The projection distance for the floor protector can be reduced if the height of the hearth is more than 0mm above combustible materials. Please refer to the following table:

HEARTH PROJECTIONS



HEARTH HEIGHT ABOVE EXPOSED FLOOR	PROJECTION FROM GLASS - P1	PROJECTION FROM FIRE PLACE SURROUND - P2
mm	mm	mm
0	417	447
12.5	387	417
25	360	390
37.5	336	366
50	315	345
57 or greater	300	330

INSTALLING THE FIREBOX AND FLUE

Measure the fireplace recess and remove bricks as necessary to accept the firebox outer case. Clear away any rubble and clean, inspect and seal the chimney and fireplace as detailed under 'INSTALLATION REQUIREMENTS'.

Check the distance back from the face of the surround to the centre of chimney to determine whether the flue will require an offset fitting.

Remove the door from the fire by opening it and lifting it up until the top pivot comes free and then lower the door until the bottom pivot comes free. Also remove the top louver assembly by first lifting and then tilting in order to unhook from the cabinet.

Fit the Insulating Blanket (supplied with the fire) over the firebox cabinet. See drawing on page 7.

You require a 150mm diameter flue kit. We recommend the use of the GDA flue kit for insert fires.

Assemble all flue pipes (use sealant and stainless steel fasteners) and lower assembly into chimney. If flue offset fitting is required, fit it to the flue assembly from below and then lift the whole assembly upwards to make room for the appliance. Verify that the case will be fully supported in a level position when installed.

The flue pipe must be fitted right up the masonry chimney to exit above the chimney top, and the space between the flue pipe and chimney must be ventilated at the top. The area of this vent must not be less than 10,000mm². The vent must be fitted with means to prevent significant ingress of water and debris. The flue must be free to move up and down at the top as it expands and contracts with flue temperature changes. This movement can be 25mm or more.

The LE4000 Prov has a curved sheet metal heat-shield on the top surface of the heater cabinet to shield the flue spigot area from the front breast of the surround. A 25mm thick layer of compressed insulation blanket covers the top surface of the heater cabinet.

Slide the firebox case into the cavity and adjust its position so that the flange on the top panel of case is in line with the face of the fireplace surround. Slide out the top front section of the case for access for fitting and fixing the flue. Lower the flue assembly into position. Seal the flue at the firebox spigot using fire cement or fiberglass rope. Secure the flue to the spigot. Use stainless steel screws. Now fit the **flue shield** (250 x 470mm) to the top of the fire as shown on drawing on page 7. This shield should "just" jammed between flue and the cabinet top. Re-fit the sliding panel with the insulating blankets on top of the firebox outer cabinet.

In New Zealand and some regions of Australia, Standards require that the woodfire be secured to prevent shifting in the event of an earthquake. **To provide seismic restraint**, screw the case to the base of the fireplace recess with at least two 6mm masonry anchors (Dynabolts) or two 12 gauge screws through the holes in the bottom of the firebox outer case. (Fasteners not supplied).

INTERNAL PARTS

Ensure that the ceiling baffle, secondary air tube and the two side boards are in their correct position.

FASCIA

Assemble the fascia if necessary and fit to firebox as per instructions given on page 9.

DOOR

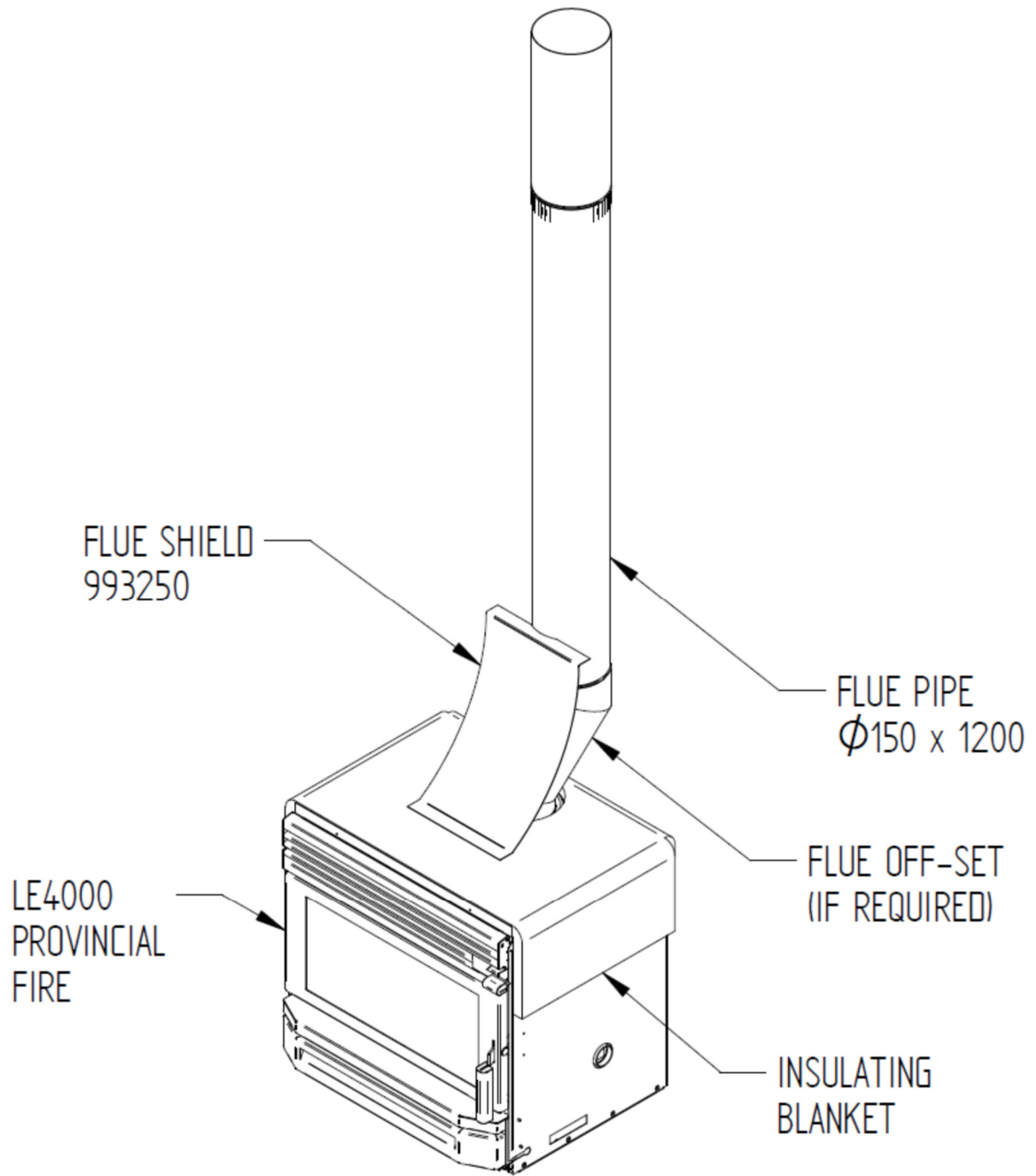
Hook the bottom pivot over the lower end of the hinge pin and lift the door up until the top pivot drops over the top end of the hinge pin.

UPPER GRILL

Hook the upper grill back on two side lugs of the firebox outer case.

FAN

Read detailed instructions on page 8 for connecting fan to main power supply.



SCHEMATIC OF FLUE AND FLUE SHIELD ARRANGEMENT INSIDE THE MASONRY CAVITY

INSTRUCTIONS FOR AIR RECIRCULATING FAN OF LE4000 PROV

ELECTRICAL INSTALLATION

ALL ELECTRICAL WORK MUST BE CARRIED OUT BY A LICENCED REGISTERED ELECTRICIAN.

THE FAN IS TO BE PERMANENTLY CONNECTED TO THE MAINS SUPPLY WITH NO PERIPHERAL CONTROLS. THIS MEANS, THERE MUST NOT BE A PLUG AND SOCKET ARRANGEMENT. IN ORDER TO COMPLY WITH THE NEW ZEALAND ELECTRICAL STANDARDS, AN ISOLATION SWITCH IS NEEDED FOR ISOLATING THE FAN FROM THE SOURCE OF POWER.

FOR FIRES INSTALLED IN THE CANTERBURY REGION:

A COMPLIANCE CERTIFICATE, SIGNED BY THE PERSON RESPONSIBLE FOR WIRING THE APPLIANCE, SHALL BE SUBMITTED TO THE CANTERBURY REGIONAL COUNCIL, WITHIN ONE MONTH OF INSTALLATION, TO CERTIFY THAT THE SYSTEM IS WIRED IN ACCORDANCE WITH THE MANUFACTURER'S SPECIFICATIONS AND INSTRUCTION GIVEN IN THIS MANUAL.

OPERATIONS OF FAN

During the operation of the fire, once the fire has warmed up, the internally mounted heat operated switch (Thermodisc) will automatically switch the fan on. It may take approximately 15 minutes to reach the switching temperature. This is to prevent cold air being circulated. The fan will be running throughout the heating cycle. This is to ensure maximum efficiency for your woodfire. Once the fire has cooled down, the fan will automatically switch off. The fan uses very little power, approximately 30 Watts.

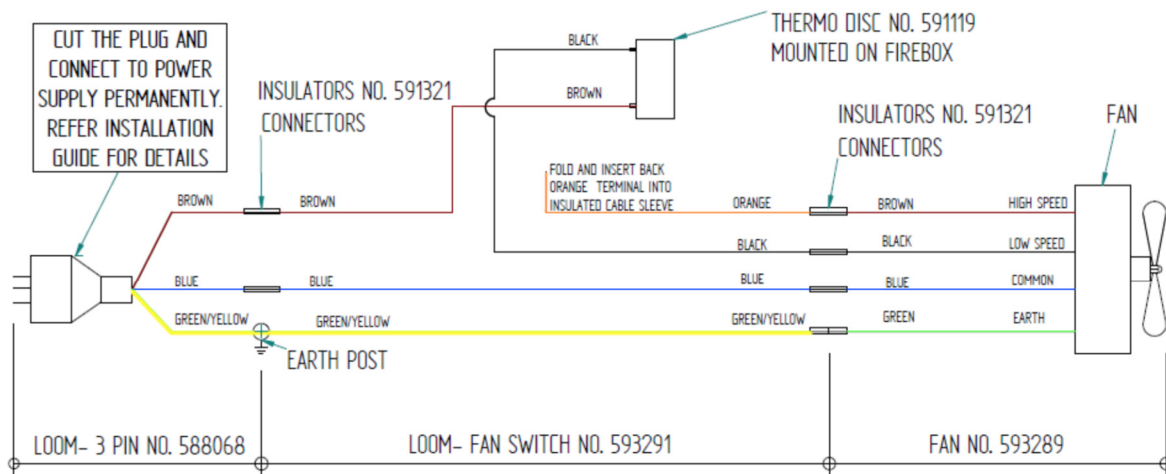
SAFETY

The appliance is not intended for use by young children or infirm person without supervision. Supervise young children to ensure they do not play with the appliance.

If a supply cord is damaged, it must be replaced by the manufacturer, it's service agent or a suitably qualified person, in order to avoid electrical hazard.

MAINTENANCE

The fan should need little attention other than occasionally (perhaps once a year) removing it to clean dust and lint from the impeller. First using isolation switch, isolate the appliance from the electricity source. The fan can be accessed by removing the ash shelf. This is done by turning the two screws below the ash shelf 1/4 turn and pull the bottom of the shelf out and then lift the shelf up to disengage the top. Clean the impeller blades carefully by blowing or vacuuming. Do not apply force to the impellers. Reinstall the ash shelf. Switch ON the power supply using isolation switch.



FAN WIRING DIAGRAM- LOW SPEED, LE4000 INSERT/INBUILT FIRE

593277

SLIM AND WIDE FASCIA ASSEMBLY & INSTALLATION FOR LE4000 PROVINCIAL INSERTS

If the fascia is not assembled use steps 1-4 to put together fascia components. Use steps 5 & 6 to attach fascia to firebox cabinet / casing.

1. Lay the fascia panels flat, face down on something soft so they won't scratch.
2. Align the bottom flange of each side panel with the corresponding end of the bottom rail. Using the self-tapping screws provided, attach the bottom rail to the bottom flanges of the side panels. Tighten the screws only loosely at this stage. (see Fig.1)
3. Lower the top panel assembly into place with the locating prongs pointing down so that they fit inside the top edges of each side panel. Fasten the top panel to the case through the two holes in the lower flange of the top panel assembly. (see Fig.2)
4. Offer the fascia assembly up to the case to obtain the correct width for the side panel spacing keeping the inside flanges of each panel on the inner side of the mounting flange of the fireplace. Carefully remove the assembly and tighten the screws fastening the bottom rail to the side panels.
5. Ensure that the wires are away from the side of the fireplace. The power cord should be run behind the fascia panel and out through the slot in the side of the fascia. The rubber grommet on the power cord should be inserted into the slot to protect the power leads against possible damage.
6. Offer the fascia assembly up to the case once more and secure through the two holes on the inner edges of each fascia side panel and two holes of top panel assembly using the screws provided. (see fig.3)

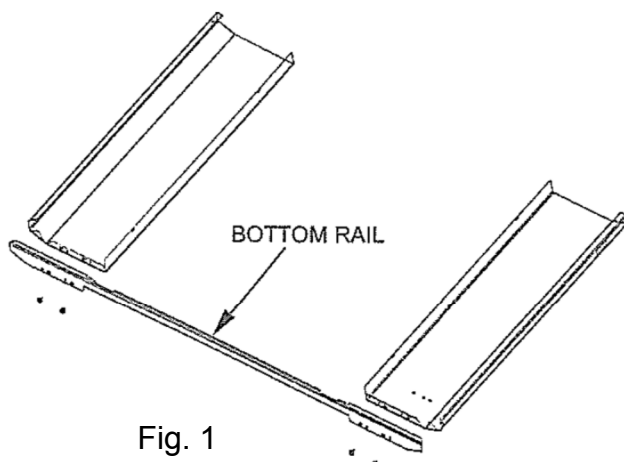


Fig. 1

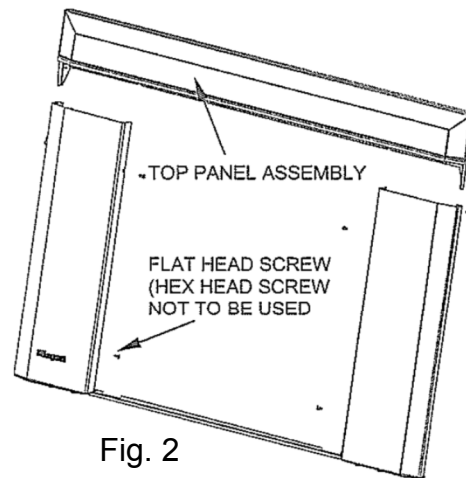


Fig. 2

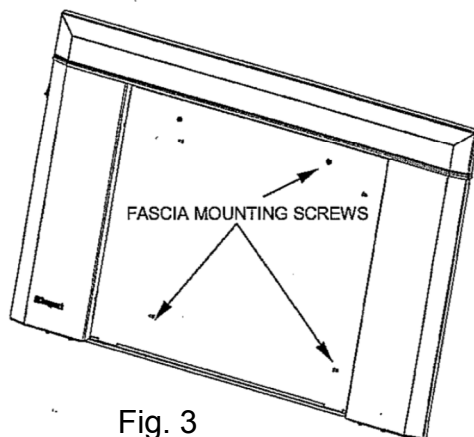


Fig. 3