

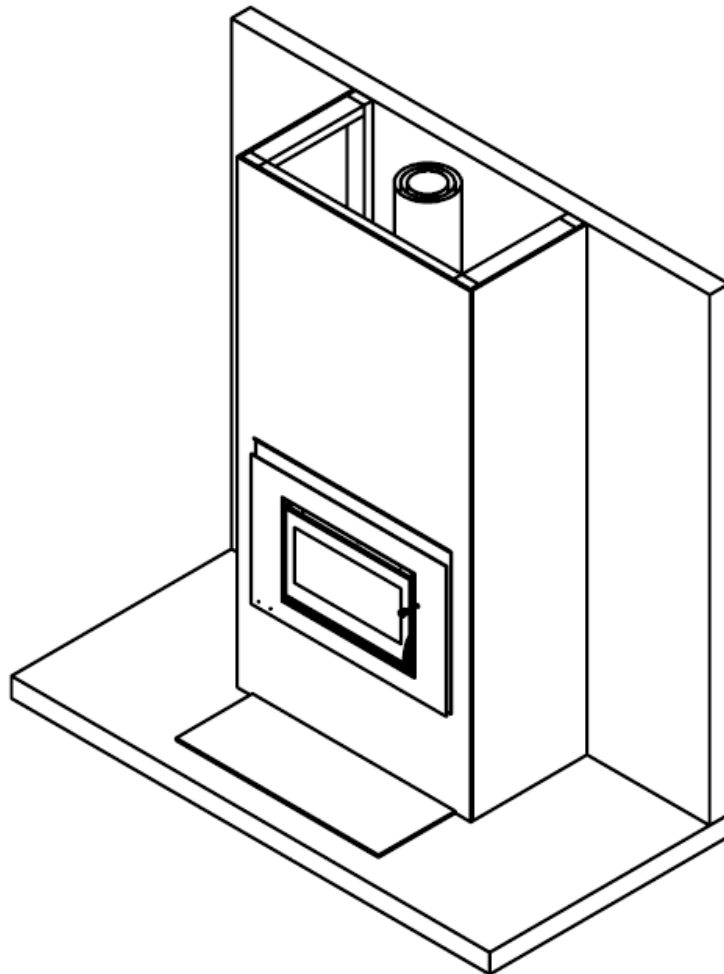


**Firenze
Woodfires**

Topaz LEB/RU

Zero Clearance Installation Instructions

(Updated September 2023)



LEB Authorisation #212341

This Fire must be installed by someone competent to do so, Firenze recommend the use of a NZ Home Heating Association, solid fuel Fire installation technician (SFAIT), or other suitably qualified person. The Fire and Flue System must be installed in accordance with AS/NZS2918. All Installations must be in accordance with these instructions. Consult with the building authority having jurisdiction to determine the need for a permit prior to commencing the installation. Failure to follow these instructions may also void your fire insurance and warranty.

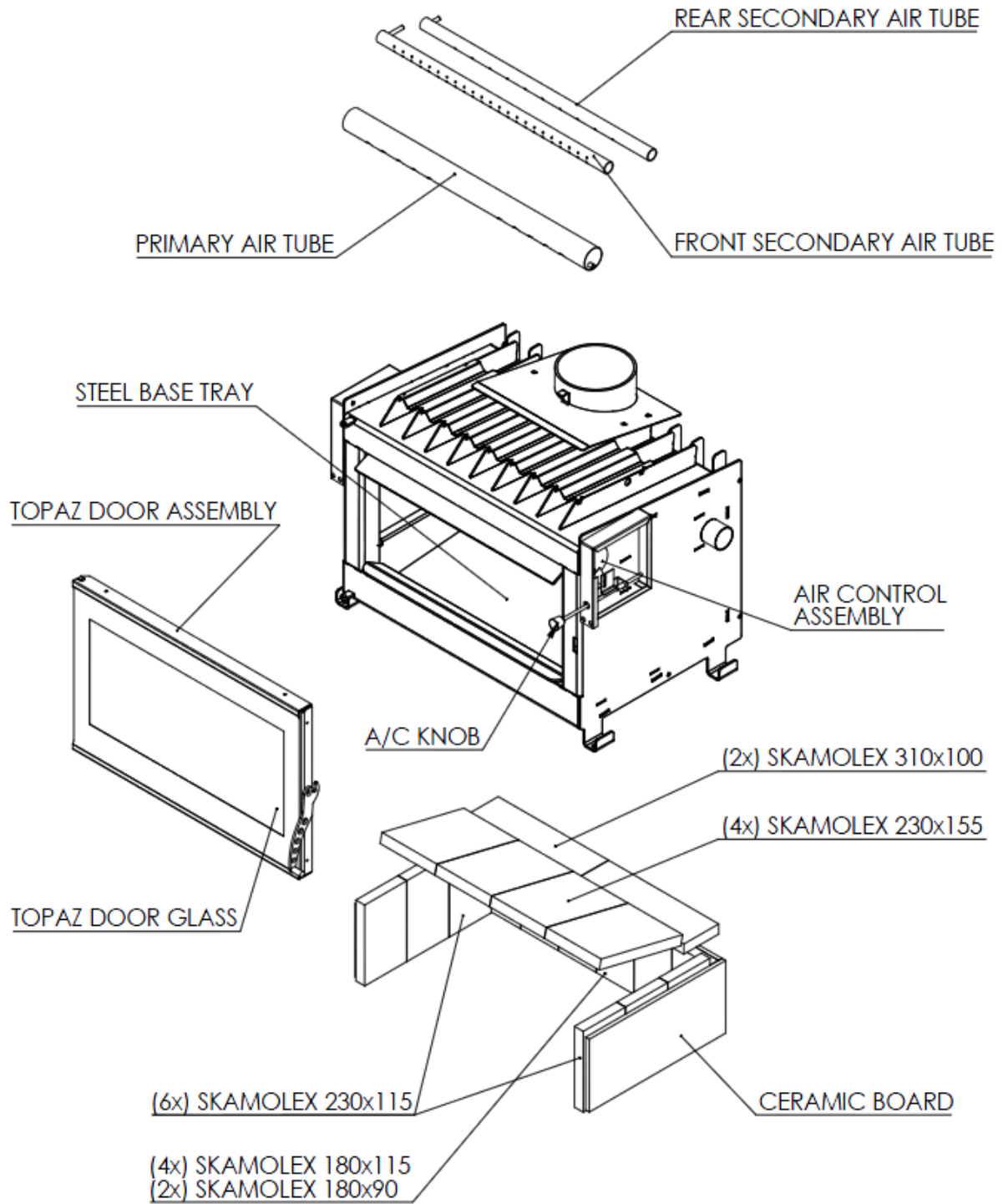
This Fire has been tested to Appendix E & B of the joint Australia/New Zealand standard 2918:2001.

Contents

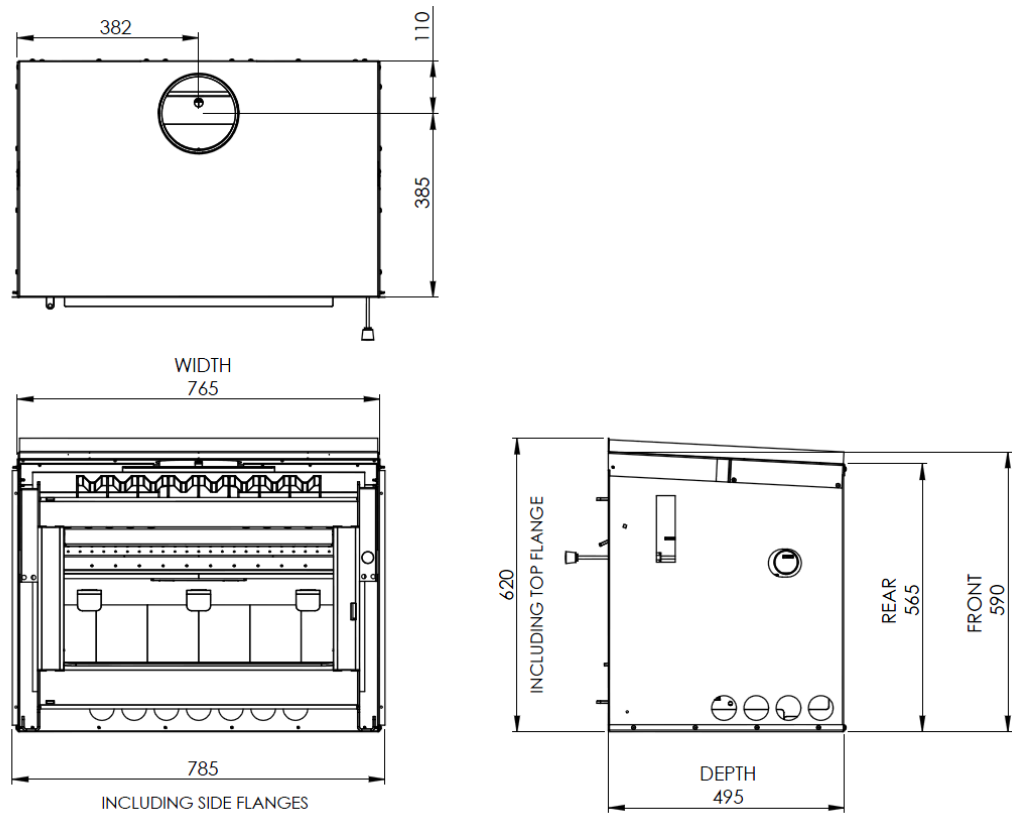
General Information	3
Installation Responsibilities	6
Standard Installation Requirements	7
Insulation Requirements for Zero-Clearance Installation.....	8
Insert Flue System for Zero Clearance Installation	9
Topaz Installation in a Timber Chimney Chase	11
Topaz Zero Clearance Box for an Elevated Installation	12
Topaz Zero Clearance Box installed flush with Hearth	15
Assembly Instructions.....	18
Assembly of Zero Clearance Box.....	19

General Information

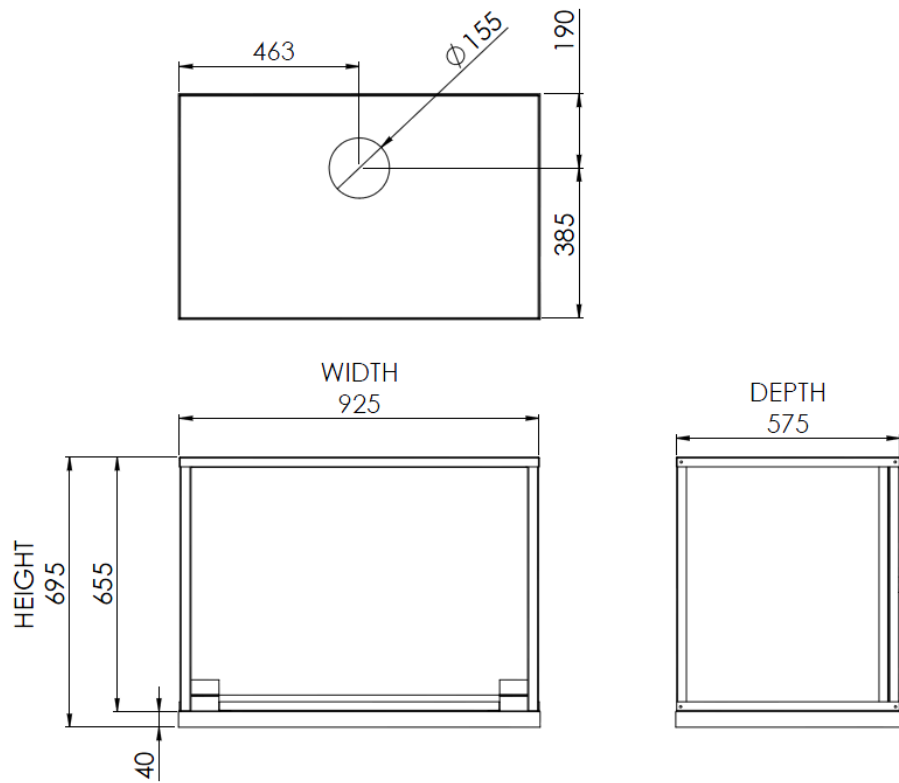
Topaz Firebox Assembly



Firebox Dimensions



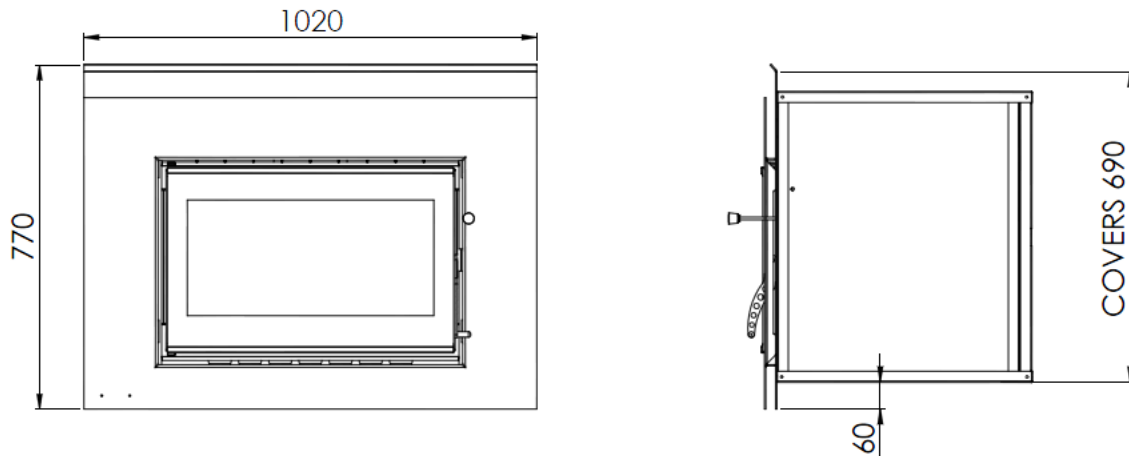
Zero Clearance Box Dimensions



Note: The Zero Clearance Box includes a 40mm non-combustible base.

Fascia Dimensions

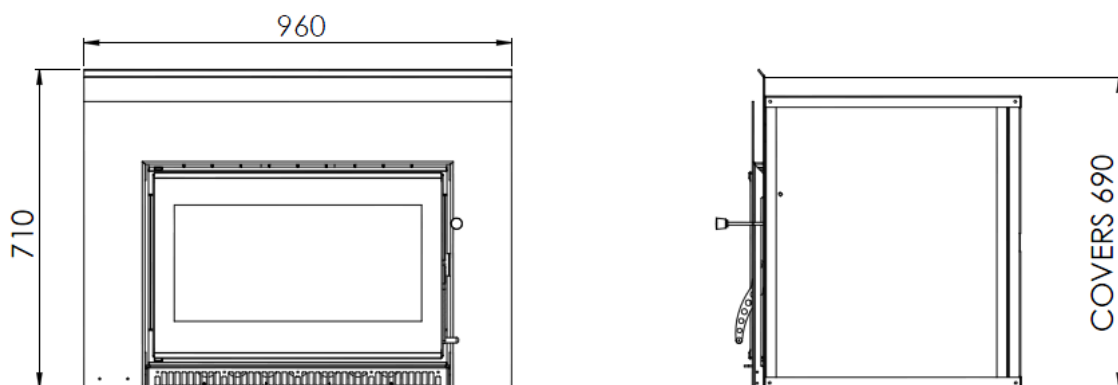
Standard Topaz Fascia



When using the Standard Topaz Fascia, the base of the fire must be elevated a minimum of 200mm above the hearth surface. An Ash Floor Protector may be used.

Topaz Lowline Fascia

for installation on a non-combustible hearth only



When installing the fire flush with the hearth surface, the Topaz Lowline Fascia must be used. An insulated floor protector must be used.

Installation Responsibilities

This Fire must be installed by someone competent to do so. Firenzo recommend the use of a NZ Home Heating Association, solid fuel Fire installation technician (SFAIT), or other suitably qualified person. Consult with the building authority having jurisdiction to determine the need for a permit prior to commencing the installation. Failure to follow these instructions may also void your fire insurance and warranty.

This Fire has been tested to Appendix E & B of the joint Australia/New Zealand standard 2918:2001.

WARNING: The Fire and Flue System must be installed in accordance with AS/NZS 2918:2001 Appendix F and the appropriate requirements of the relevant building code or codes. Firenzo/SFP Flue Kits or Davin Flue Kits must be used.

CAUTION: Mixing of Fire or Flue System components from different sources, modifying the dimensional specifications of components, or using more than 1 metre of extra flue may result in hazardous conditions. Where such action is considered the manufacturer should be consulted in the first instance.

The Fire must be installed with a minimum flue length of 4.2m.

Any modification of the Fire that has not been approved in writing by the testing authority is in breach of the approval granted for compliance with AS/NZS 4013.

Before installing your Firenzo Topaz it is important to check the condition of your masonry chimney. Ensure any cracks are sealed, loose masonry repaired, and any debris or soot build-up removed from the masonry chimney.

Check that the dimensions of your fireplace opening are adequate to accept the new Fire. Existing linings may need to be removed.

The Fire must be installed on a level non-combustible base and fixed with seismic restraints through the anchor points at the front feet of the unit.

CAUTION: This Fire has a total weight of over 100kg. Installers must use their lifting and handling equipment to prevent injury when handling the Fire.

Strict adherence to these instructions will meet these standards. Any variation from these installation instructions or any doubt about them must be checked against the requirements of the standards.

Standard Installation Requirements

Venting in Chimney for combustion air

For both masonry and built-in-canopy (zero clearance) installations, adequate ventilation must be provided into the chimney. The air vent in the chimney must be a minimum area of 10,000mm² (100mmx100mm) and meet the building code to prevent water ingress and vermin entering the chimney space. If the vent is in the back of the chimney, it should be centred and positioned low to the ground. If the vent is in the side of the chimney, it is recommended that a second vent is installed on the opposite side to balance the air intake.

Distance to Combustible Materials

The Topaz Fire cannot have a combustible mantel.

There are to be no combustibles within 700mm of the top of the Zero Clearance Box. This includes the wall lining and timber structure in the front of the chimney chase. The top of the Zero Clearance Box must be no less than 1200mm below the ceiling.

Please refer to the following sections for construction details of the timber chimney chase.

Floor Protection Requirements

AS/NZ2918 Section 3.3 states that if the Fire is to be placed on or within 500mm of heat sensitive materials in the floor then a floor protector will be required. For the Topaz In-built Fire, the minimum width of the floor protector is 1060mm and/or 530mm about the centre of the Fire.

When the firebox is elevated more than 200mm from the base of the steel fire canopy to the hearth, then an ash hearth can be used.

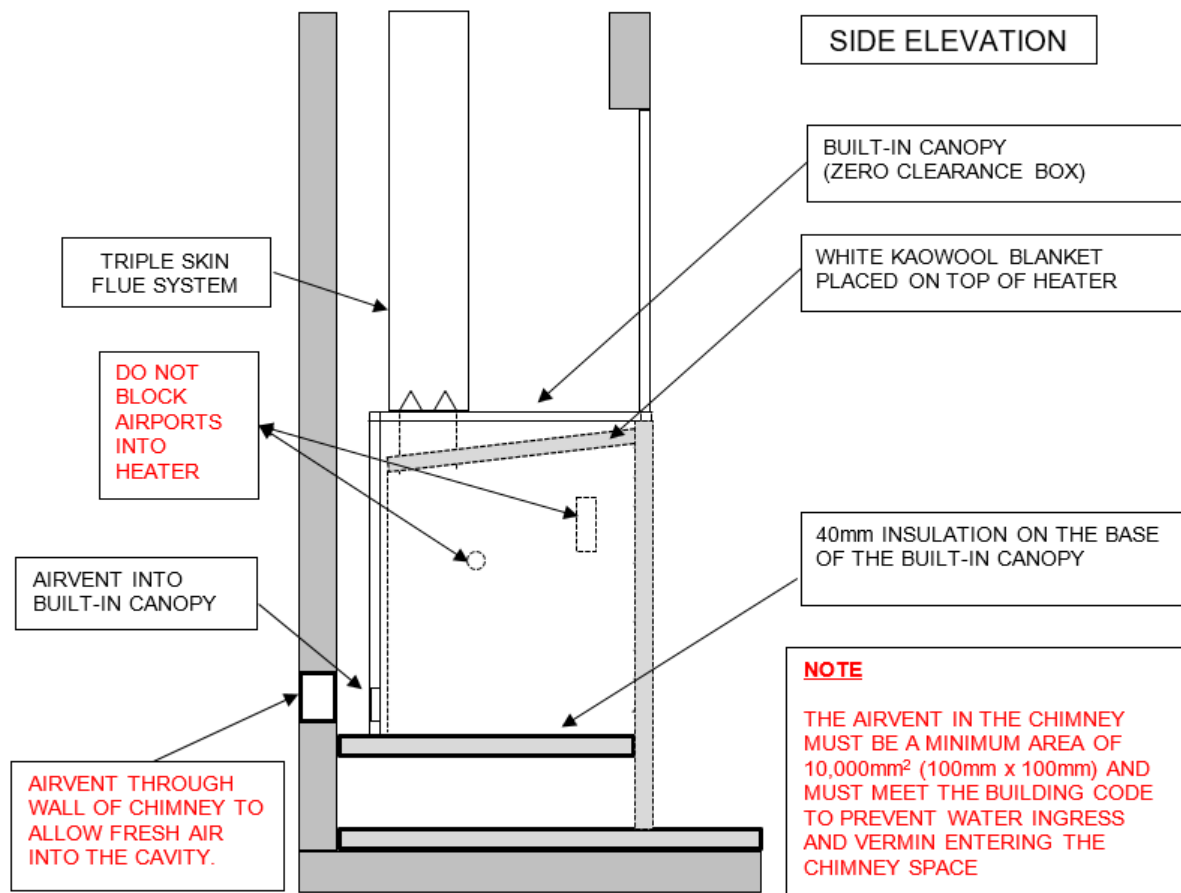
When the firebox is mounted flush with the hearth, or the base of the steel fire canopy within 200mm of the hearth, then an insulated floor protector must be used. Please refer to the specific hearth dimensions in the following section.

In-Built Flue System for Zero Clearance Installation

For a Zero-Clearance Installation, a Firenzo Ventilated Flue system must be used.

The 600 Starter Flue supplied with the Zero Clearance Kit consists of a 150mm SS flue, a perforated 200mm liner, and a notched 250mm outer casing. The flue system must be triple skin (150/200/250) for the full height of the chimney.

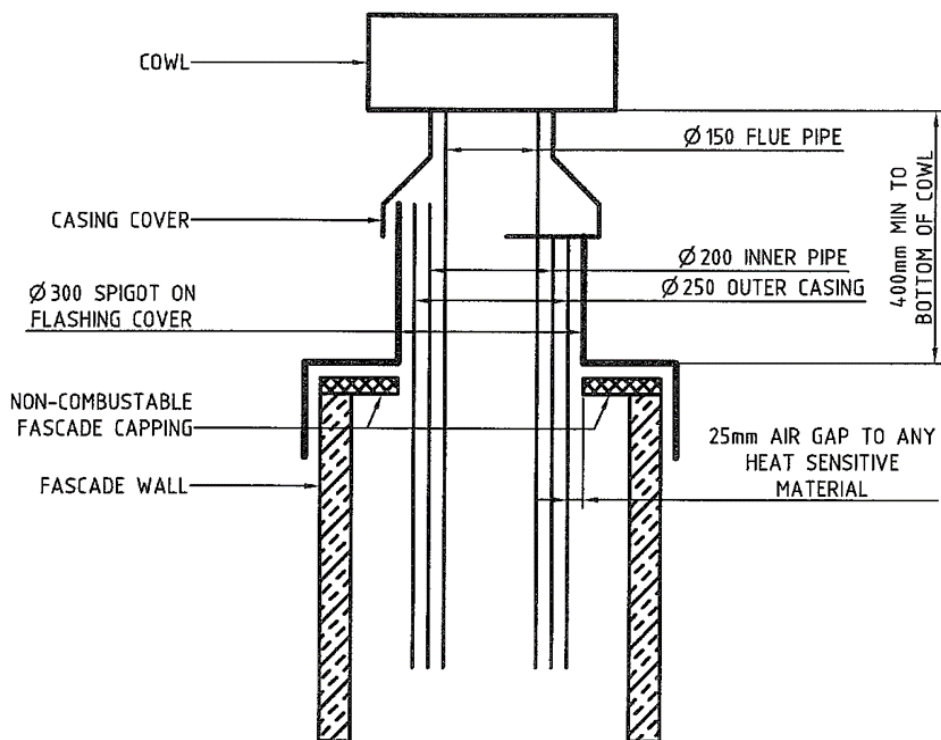
Insulation Requirements for Zero Clearance Installation



Insert Flue System for Zero Clearance Installation

DIMENSIONS IN MILLIMETERS
UNLESS OTHERWISE STATED

FASCADE / CHASE TERMINATION

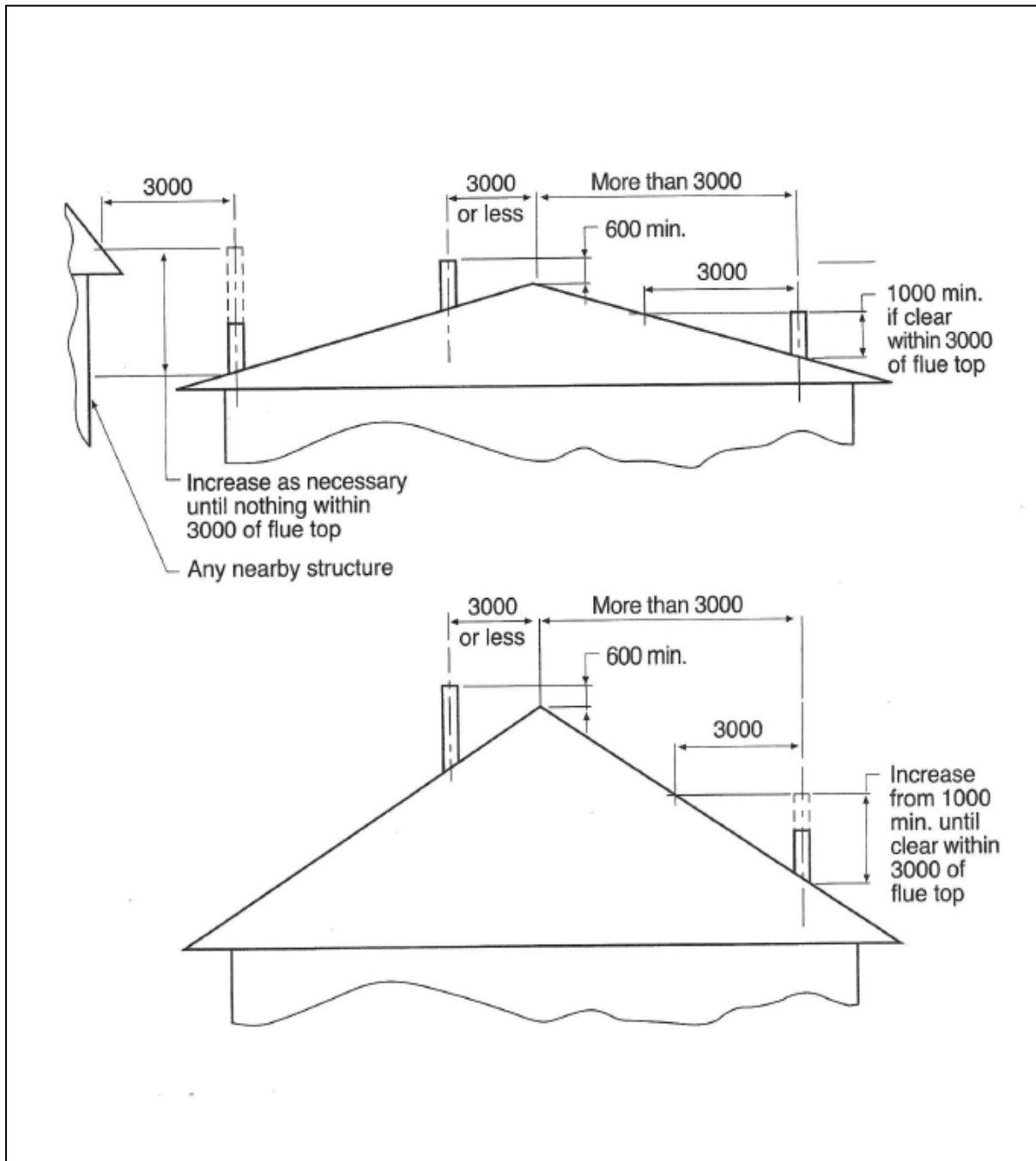


Please Note:

Flue system must comply to AS/NZS2918:2001 Section 4

1. The fascade capping must be made from a non-heat sensitive material i.e. 9.5mm Supalux or Hebel stone. Must be placed across the top of any wood framing.
2. The chimney flashing must have a 25mm free air clearance to the Ø250 outer casing, with a suitable oversize casing cover and a 250mm to 300mm spacer preventing the air gap from being closed. This permits air to freely flow from the fascade / chase cavity to atmosphere preventing any temperature rise within the cavity.
3. Fascade canopy must comply to all building regulations and section E2 of the building code.

Flue Height Requirements



NOTES

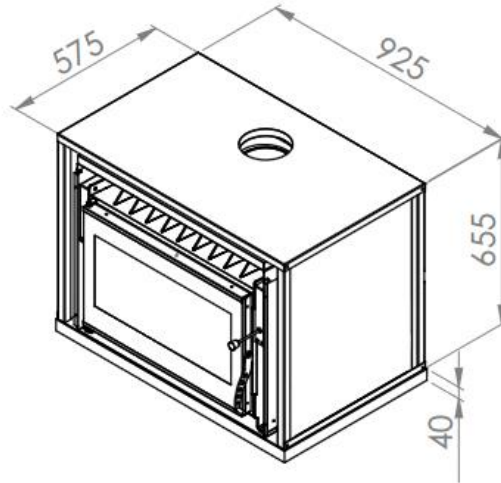
The Fire must be installed with a minimum flue length of 4.2m. If the flue is to be extended by more than 1 metre, the Manufacturer must first be consulted.

The flue cowl must be at least 600mm above the highest point of the roof if within 3 metres of it, or 1 metre above the roof penetration if more than 3 metres from the ridge.

No part of the building, or any adjacent building may be in or above a circular area of a horizontal radius of 3 metres from the flue exit.

Topaz Installation in a Timber Chimney Chase

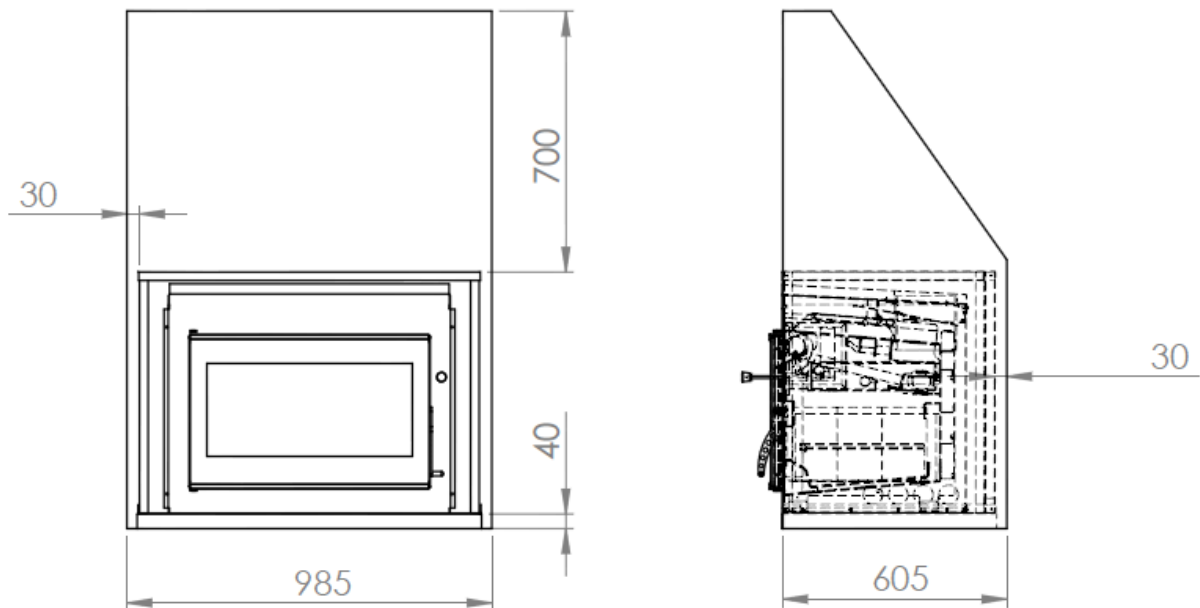
Dimensions of Topaz Zero Clearance Box



Exclusion Zone for Combustible Materials

There must be no combustible materials within 700mm above the top of the Zero Clearance Box at the front of the Timber Chimney Chase. We recommend using a steel brace to support the wall lining directly above the Zero Clearance Box.

There must be a 30mm air gap to any combustible materials (i.e. timber framework) at the sides and rear of the Zero Clearance Box. If the fire is supported by a timber structure, then the 40mm Insulation Board must be installed between the Zero Clearance Box and the timber framework.



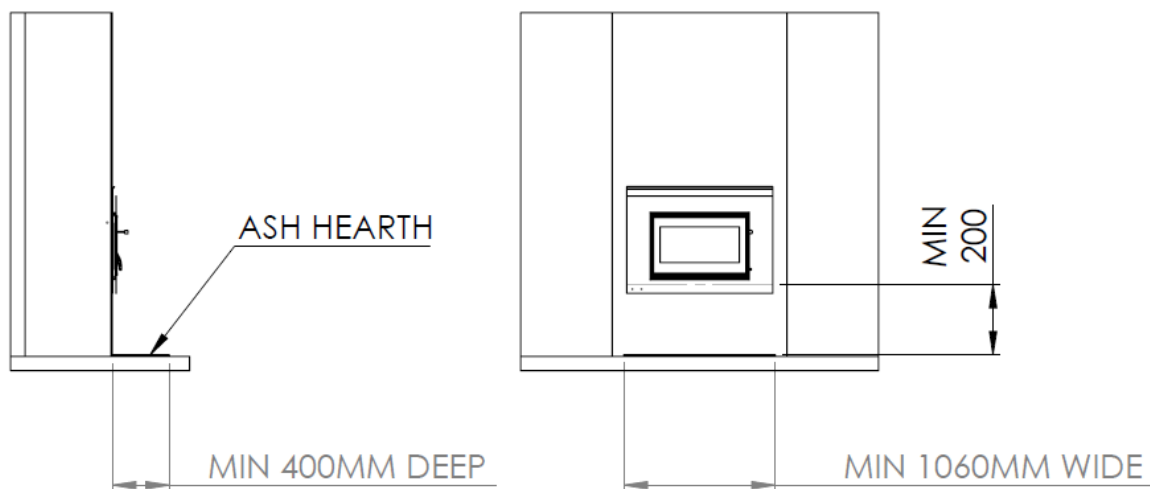
Topaz Zero Clearance Box for an Elevated Installation

Ash Hearth Specification

Where the base of the steel fire canopy is more than 200mm above the hearth, an ash hearth with a minimum depth of 400mm may be used. The top surface of the hearth must be fully sealed and made from a non-combustible material (tiles, slate etc).

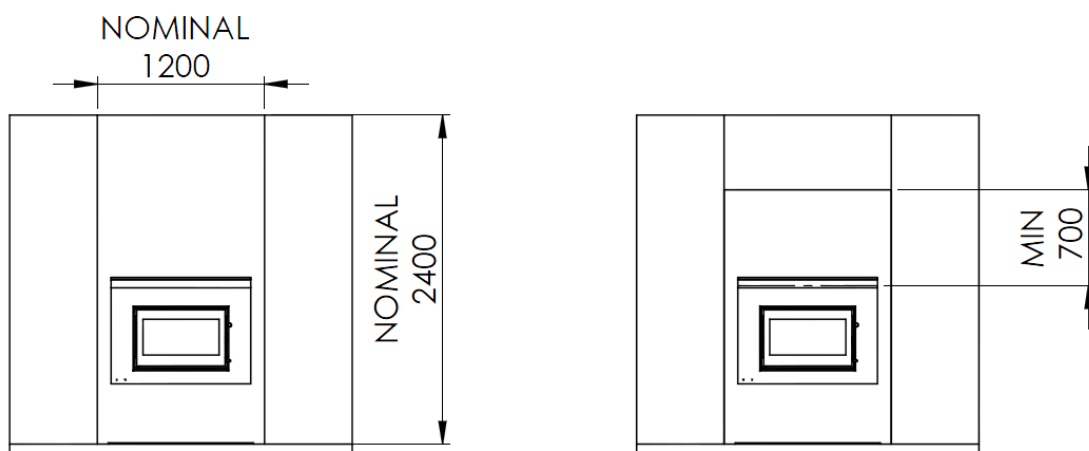
The minimum width of the ash hearth is 1060mm, or 830mm either side of centre.

If the base of the fire canopy is more than 300mm above the hearth, the minimum hearth depth can be reduced to 300mm.



Wall Lining Specification for an Elevated Installation

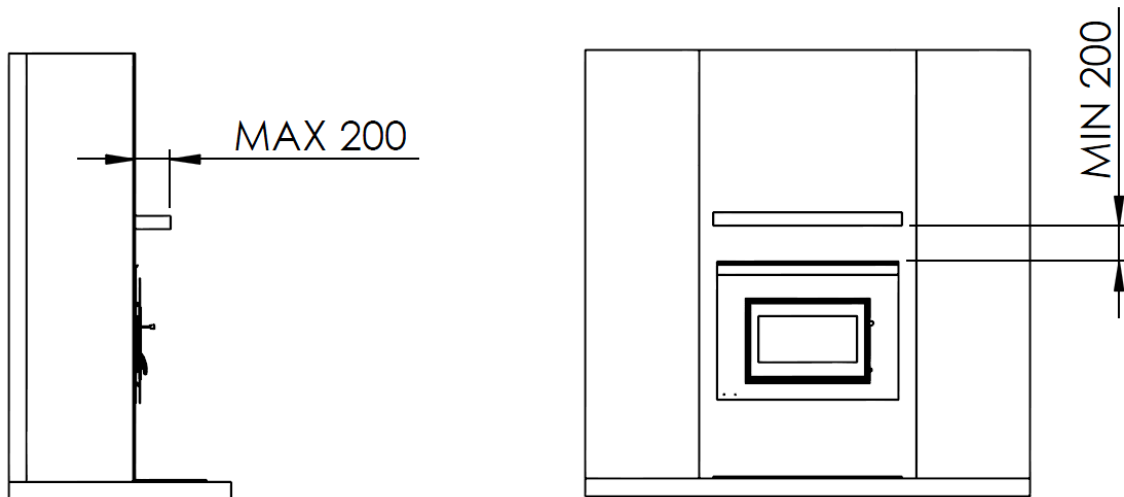
The non-combustible wall lining must extend from the hearth surface to a minimum of 700mm above the top of the Zero Clearance Box. It is recommended to use a full sheet of non-combustible board to minimise the plaster joints in the wall.



Mantel Clearances for an Elevated Installation

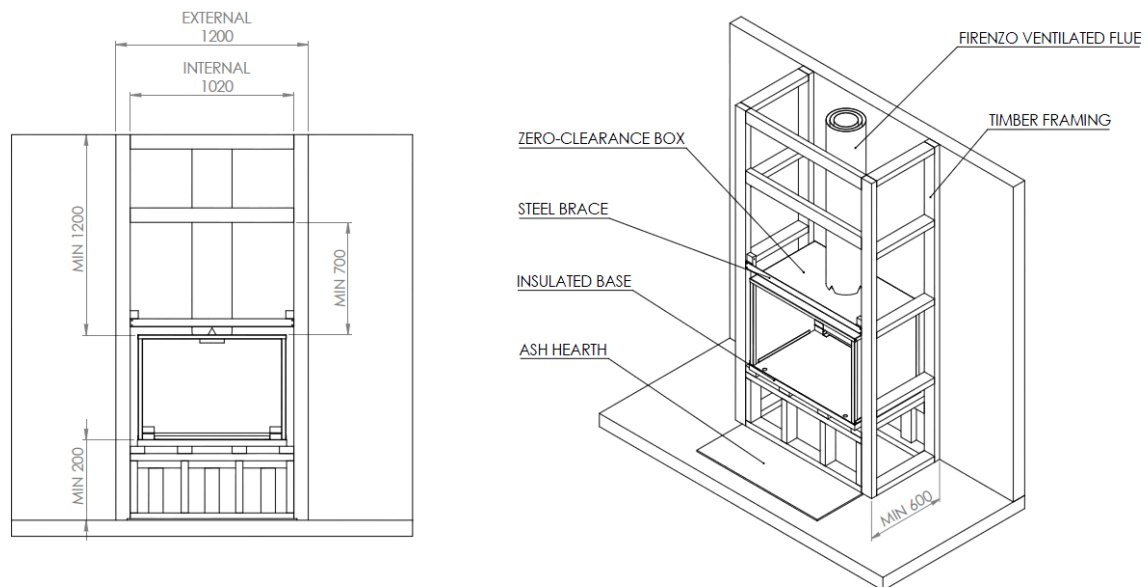
The Topaz Fire cannot have a combustible mantel.

For a non-combustible mantel, the underside of the mantel must be more than 200mm from the top edge of the Standard Topaz Fascia. The maximum allowable depth for a non-combustible mantel is 200mm.



Non-Combustible Mantel Only

Timber Framing Guide for Elevated Zero Clearance Installation



Notes

1. The base of the Zero Clearance Box must be a minimum of 200mm above the floor.
2. The top of the Zero Clearance Box must be a minimum of 1200mm below the ceiling.
3. The first timber lintel must be a minimum of 700mm above the Zero Clearance Box.
4. The 40mm Insulated Base must be used between the Zero Clearance box and any timber supporting structure beneath. If the fire is being installed on a non-combustible base (concrete/Hebel etc) then the 40mm Insulated Base is not required.
5. The Steel Brace is used to support the wall lining directly above the Zero Clearance Box. There should be a minimum 30mm air gap between the top of the Zero Clearance Box and the underside of the steel brace. Do not direct fix the wall lining to the steel brace.
6. The Steel Brace should be insulated from the timber framework using the 10mm ceramic packers provided in the Zero Clearance kit.
7. There must be a minimum 30mm gap between the sides of the Zero Clearance Box and the timber framework. The framing diagram above allows for a nominal 50mm gap.
8. A Firenzo Ventilated Flue must be used for a Zero Clearance Installation.
9. The flue system must be triple skin (150/200/250) for the full height of the chimney.
10. The front edge of the Zero Clearance Box should finish flush with the front face of the non-combustible wall lining. It is recommended to cut the wall lining so that the raw edges are flush with the steel base, top and sides of the Zero Clearance box. Ensure that the 40mm Insulated Base is hidden by the wall lining.

Topaz Zero Clearance Box installed flush with Hearth

When being installed in a Zero Clearance Box flush with the hearth, the Topaz fire will need to be fitted with a Topaz Lowline Fascia. **This section also applies to a floating hearth installation, where the hearth is elevated above the floor and the base of the ZC Box is level with the hearth.**

Insulated Hearth Specification

Where the fire is to be installed on a combustible subfloor (e.g. timber), the 40mm Insulation board provided must be installed between the floor and the base of the Zero Clearance Box.

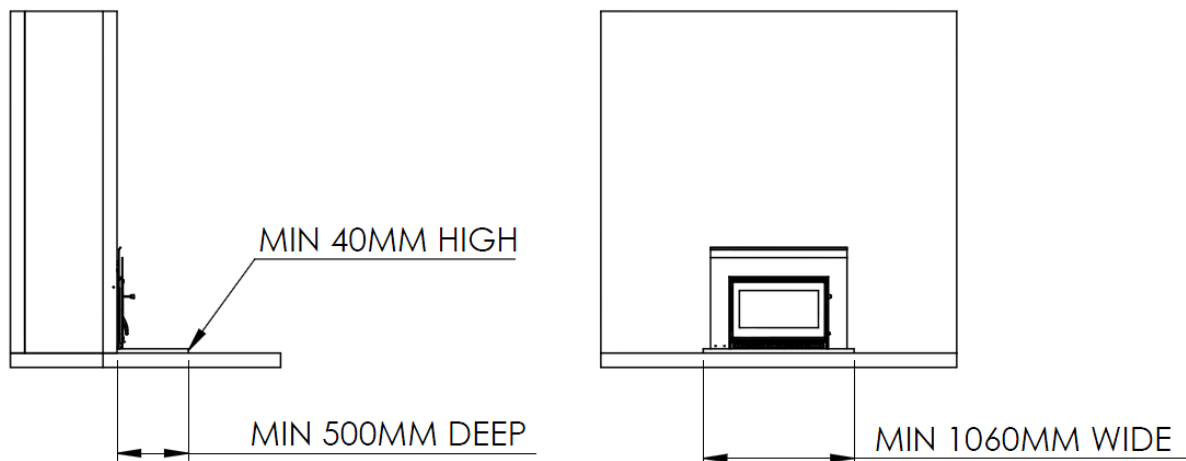
So that the hearth finishes level with the base of the Zero Clearance Box, the top surface of the hearth should also be 40mm above the combustible flooring. An Insulated Floor Protector must be used.

An Insulated Floor Protector (Hearth) consists of a minimum of 20mm of insulation board (Promatech H, Eterpan LD, Pacblid-Pro or product of similar thermal resistance) and tiles/slate or similar with sealed joints on the top surface to protect from spilt ash/embers.

The standard hearth specification for the Topaz Lowline is 1060mm wide, 500mm deep and 40mm high above the combustible floor surface. If the hearth is taller, the table below can be used to specify the required depth of the insulated floor protector.

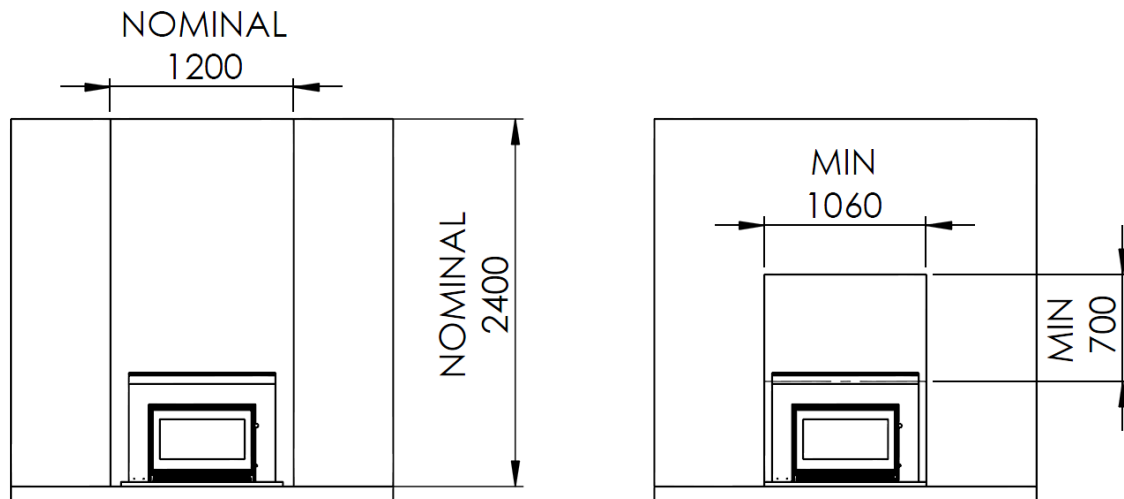
If the fire is installed on a non-combustible subfloor (e.g. solid concrete) the Insulated Base is not required. Where the hearth is level with a combustible floor covering (e.g. carpet), the hearth must extend 600mm from the front of the firebox.

Height of Hearth above Flooring	Minimum Hearth Depth
0mm (Level)	600mm
40mm	500mm
60mm	450mm
80mm	400mm



Wall Lining Specification for a Hearth Installation

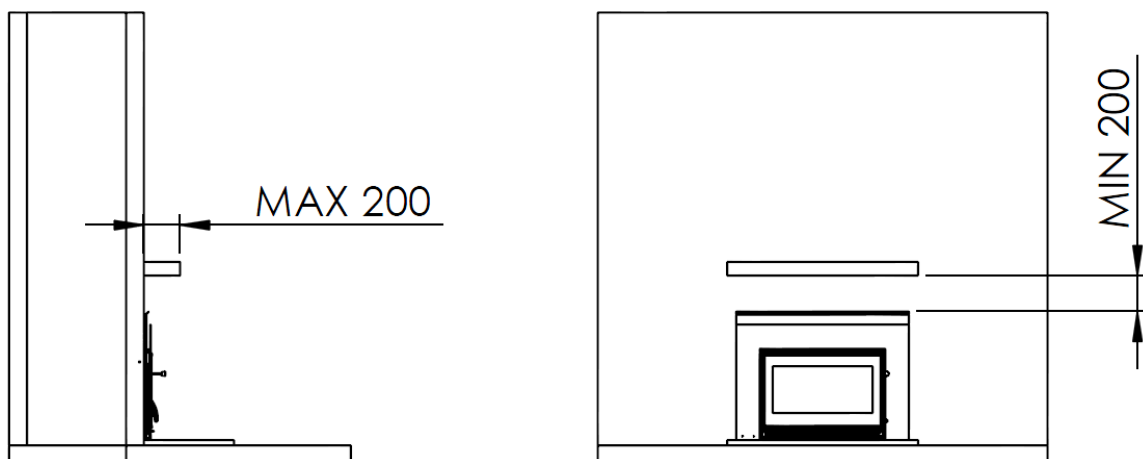
The non-combustible wall lining must extend from the hearth surface to a minimum of 700mm above the top of the Zero Clearance Box. It is recommended to use a full sheet of non-combustible board to minimise the plaster joins in the wall.



Mantel Clearance for a Hearth Installation

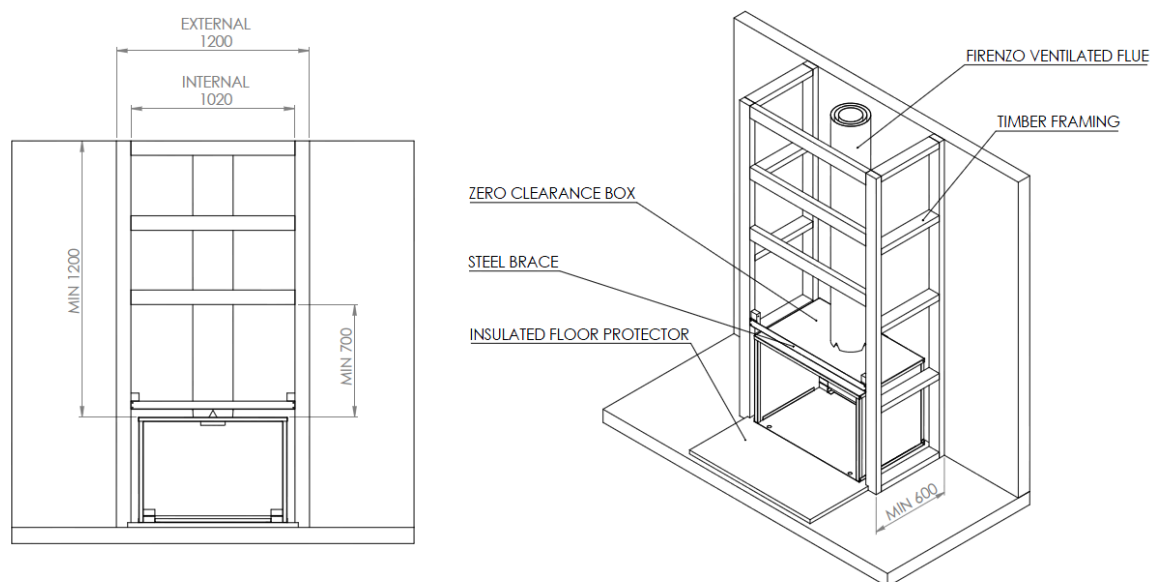
The Topaz Fire cannot have a combustible mantel.

For a non-combustible mantel, the underside of the mantel must be more than 200mm from the top edge of the Topaz Lowline Fascia. The maximum allowable depth for a non-combustible mantel is 200mm.



Non-Combustible Mantel Only

Timber Framing Guide for Zero Clearance Installation Flush with the Hearth



Notes

1. The base of the Zero Clearance Box sits directly on the non-combustible hearth.
2. The top of the Zero Clearance Box must be a minimum of 1200mm below the ceiling.
3. The first timber lintel must be a minimum of 700mm above the Zero Clearance Box.
4. The 40mm Insulated Base must be used between the Zero Clearance box and any combustible flooring (e.g. timber) beneath. If the fire is being installed on a non-combustible subfloor (e.g. concrete) then the 40mm Insulated Base is not required.
5. The Steel Brace is used to support the wall lining directly above the Zero Clearance Box. There should be a minimum 30mm air gap between the top of the Zero Clearance Box and the underside of the steel brace. Do not direct fix the wall lining to the steel brace.
6. The Steel Brace should be insulated from the timber framework using the 10mm ceramic packers provided in the Zero Clearance kit.
7. There must be a minimum 30mm gap between the sides of the Zero Clearance Box and the timber framework. The framing diagram above allows for a nominal 50mm gap.
8. A Firenzo Ventilated Flue must be used for a Zero Clearance Installation.
9. The flue system must be triple skin (150/200/250) for the full height of the chimney.
10. The front edge of the Zero Clearance Box should finish flush with the front face of the non-combustible wall lining. It is recommended to cut the wall lining so that the raw edges are flush with the top and sides of the Zero Clearance box.

Assembly Instructions

- 1) Carefully remove all packaging.
- 2) Construct the Zero Clearance Box.
- 3) Install the Zero Clearance Box into the timber chimney cavity.
- 4) Slide the Topaz Firebox into the Zero Clearance Box so that the return folds on the outer casing are flush with the front face of the Zero Clearance Box.
- 5) Bolt the Fire through the base of the Zero Clearance Box to the supporting structure below using the restraint points at the two front legs of the Fire.
- 6) Install the Firenzo Ventilated Flue starter and triple skin flue system.
- 7) Assemble and fit the Topaz fascia.

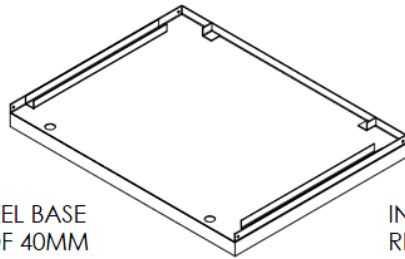
NOTES

Due to New Zealand being an earthquake-prone country it is important to anchor the fire down in case of movement.

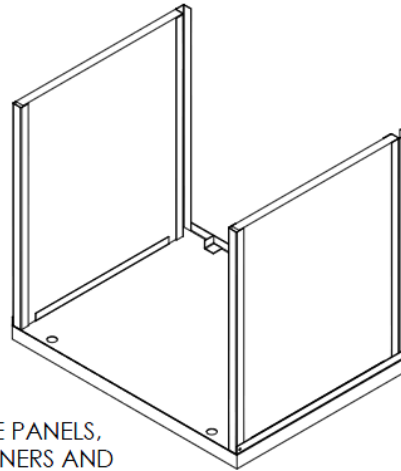
In the case of installing this Fire in a built-in-fire canopy, it is necessary to install additional ventilation into the chimney cavity as per AS/NZ 2918 3.4.1.2 to assist air flow into the fire. This ventilation should not be taken/drawn from the room that the fire is installed in. This air vent should measure 100mmx100mm or equivalent area.

Under no circumstances should the intake ports on the side of the Fire be restricted or blocked.

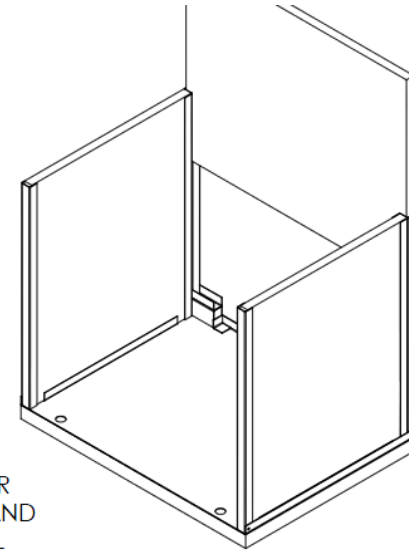
Assembly of Zero Clearance Box



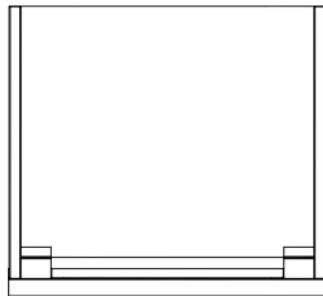
PLACE STEEL BASE
ON TOP OF 40MM
INSULATED BASE



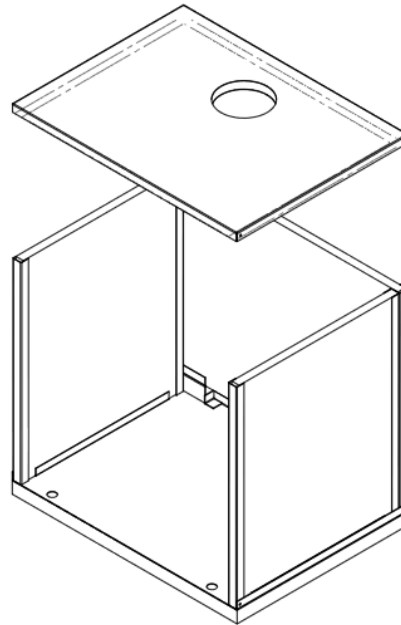
INSERT SIDE PANELS,
REAR CORNERS AND
FRONT CAPPING



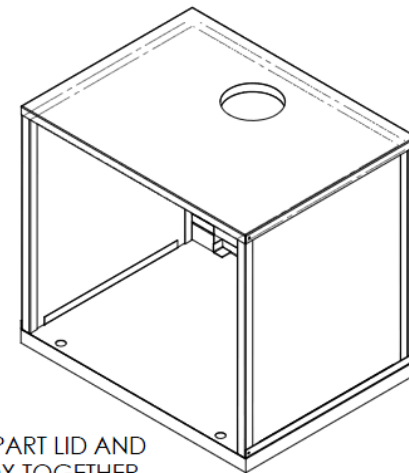
INSTALL REAR
UPSTANDS AND
BACK PANEL



ENSURE THERE IS A GAP
BELOW THE BACK PANEL TO
ALLOW AIR FLOW



INSTALL 2-PART LID AND
FASTEN BOX TOGETHER
WITH SCREWS PROVIDED





Firenzo Woodfires

Manufacturers of

Free-Standing Woodfires

Bronte

Contessa

Encore

Lady Kitchener

Napier

Viking

Vision

Stella

Topaz

Insert Woodfires

Aqualux

Athena Bay & Flush

Forte Bay & Flush

Kompact Athena

Kompact Deco

Kompact Diva

Kompact Forte

Kompact Serenity

Topaz

98 Niven Street

PO Box 3231

HB Mail Centre

Napier 4142

Phone: 06 8438260

Website: www.firenzo.co.nz

Email: firenzo@firenzo.co.nz