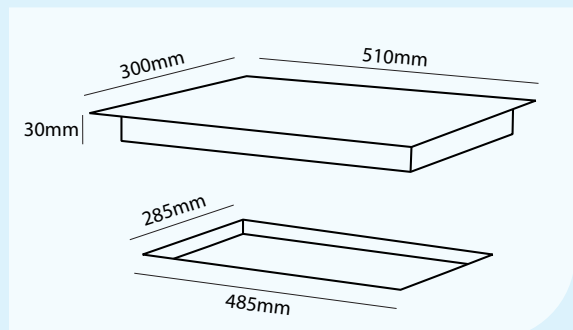


Our latest addition. Inspiring designs for New Zealand Kitchens.

300MM DOMINO HOB GAS, STAINLESS STEEL HO-1-2S-2G

- Gas Hob
- Knob Control
- Ignition Automatic
- Jetting - LPG or Natural Gas
- 10A Electrical outlet
- Flame failure safety
- Easy Clean Surface



Impressive 7 Year Warranty

Note: 7 year warranty is for domestic use only.
For more information visit www.parmco.co.nz

AVAILABLE NOW

Ask your local Parmco representative for pricing.

PARMCO

Inspiring kitchens, entertaining homes